

SELF-PRIMING CLOSE COUPLED PUMPS

Series: BSP25CCE
15 HP / 3500 RPM
Suction & Discharge: 3"
Spherical solids handling: 3/4"



Approved for Marine use and
Commercial / Industrial applications.

SUCTION/DISCHARGE

3" NPT, female.

LIQUID TEMPERATURE

Continuous: 160 °F (71 °C).

INTERMEDIATE

Cast iron ASTM A-48, class 30.

VOLUTE

Cast iron ASTM A-48, class 30.

BODY

Cast iron ASTM A-48, class 30.

BASE

Steel.

IMPELLER

Design: open, trash type, dynamically balanced.

Material: cast iron ASTM A-48, class 30.

SHAFT

1035 cold rolled steel.

SHAFT SLEEVE

Bronze.

HARDWARE

Steel & stainless steel.

SQUARE RING

Buna-N.

PAINT

Air dry enamel, water based.

SEAL

Design: mechanical, self lubrication.

Material: Ni-Resist stationary part, carbon ring seal and exclusion in the rotating part. Buna-N elastomer and stainless steel spring.

CHECK VALVE

Valve: flap-neoprene

Weight: steel.

MOTOR

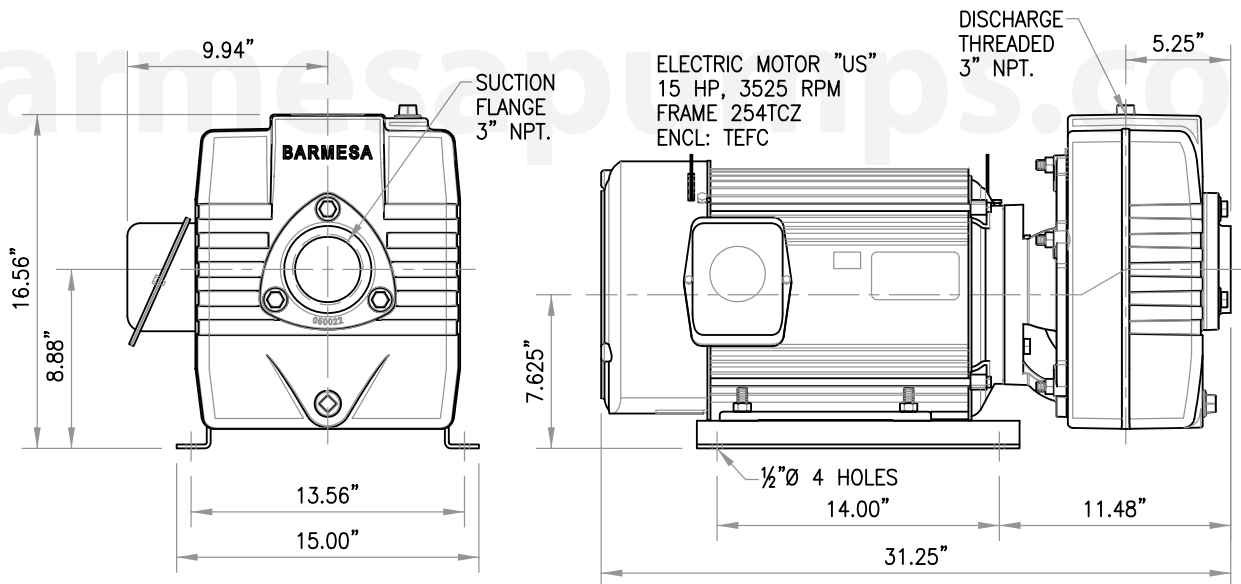
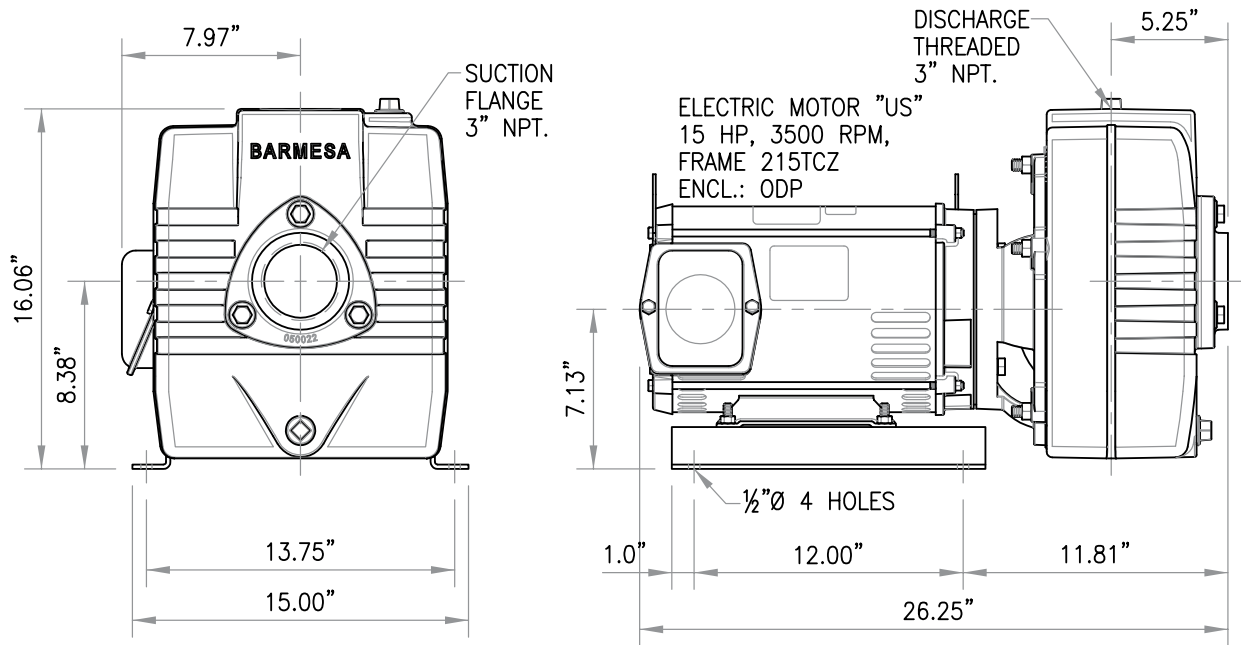
Open Drip Proof or **TEFC**, C-face, footed, squirrel cage induction, class B or F insulation.

Three phase: 230/460 volts, 60 Hz, 3500 RPM.

OPTIONAL

Bronze fitted volute and impeller.

DIMENSIONAL DRAWING SELF PRIMING PUMP BSP25CCE



MODEL	PART No.	HP	PHASE	VOLTS	ENCLOSURE	RPM (Nominal)	MAX AMPS	WEIGHT (pounds)
BSP25CCE3	-	15	3	230/460	ODP	3450	44-40/20	322
BSP25CCE3-T	-	15	3	230/460	TEFC	3450	38-35/17.5	341
BSP25CCE3-BF	-	15	3	230/460	ODP	3450	44-40/20	322
BSP25CCE3-TBF	-	15	3	230/460	TEFC	3450	38-35/17.5	341

T = totally enclosed

BF = bronze fitted

TB = totally enclosed bronze fitted

* Overall dimensions of unit and amps is subject to the motor manufacture.

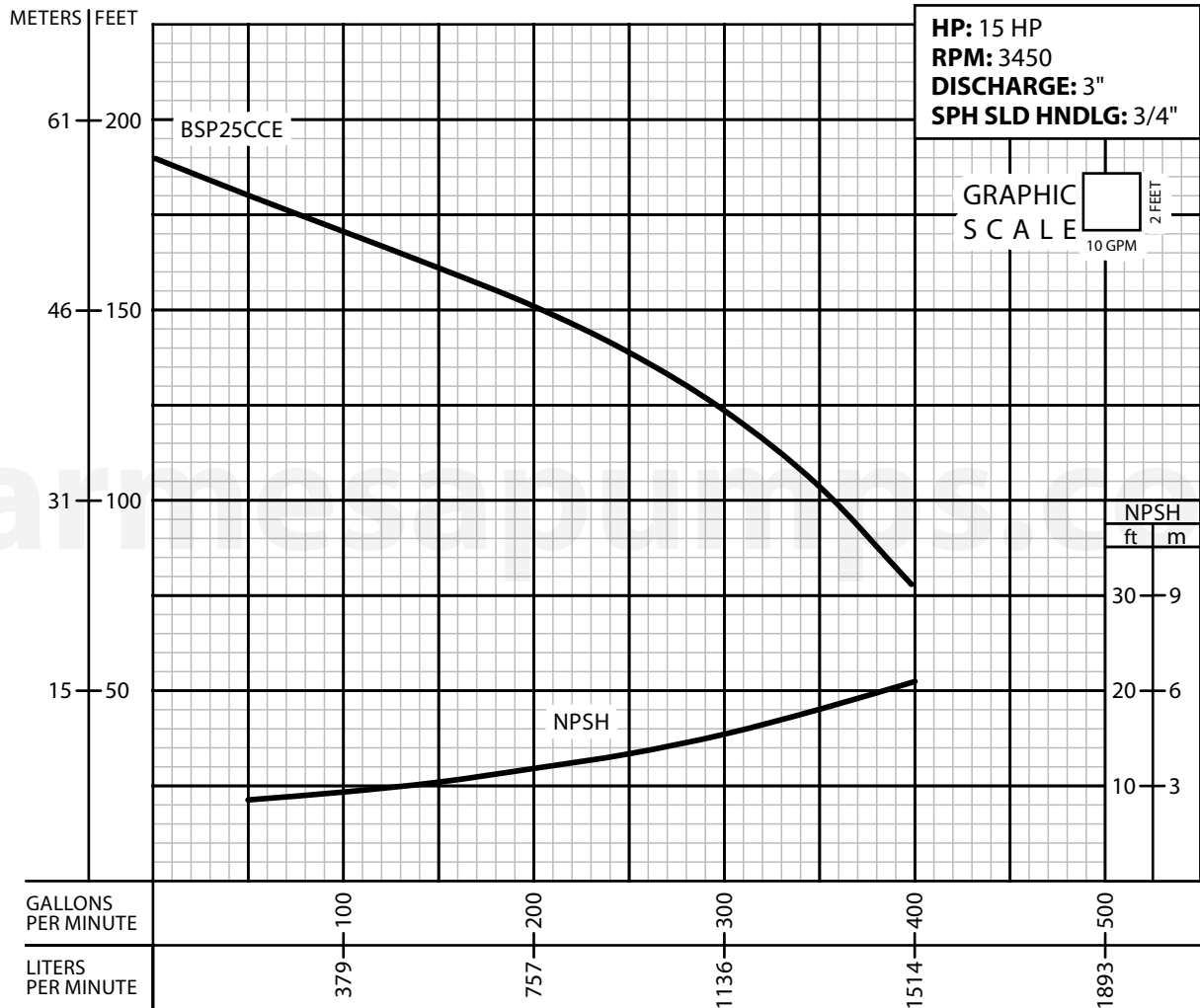


PERFORMANCE CURVE

Self-Priming Close

Coupled Pump

Series: **BSP25CCE**



Testing is performed with water specific gravity of 1.0 @ 68 °F (20 °C); other fluids may vary performance.

*BSPCCE series pumps are approved for Marine use and Commercial / Industrial applications.