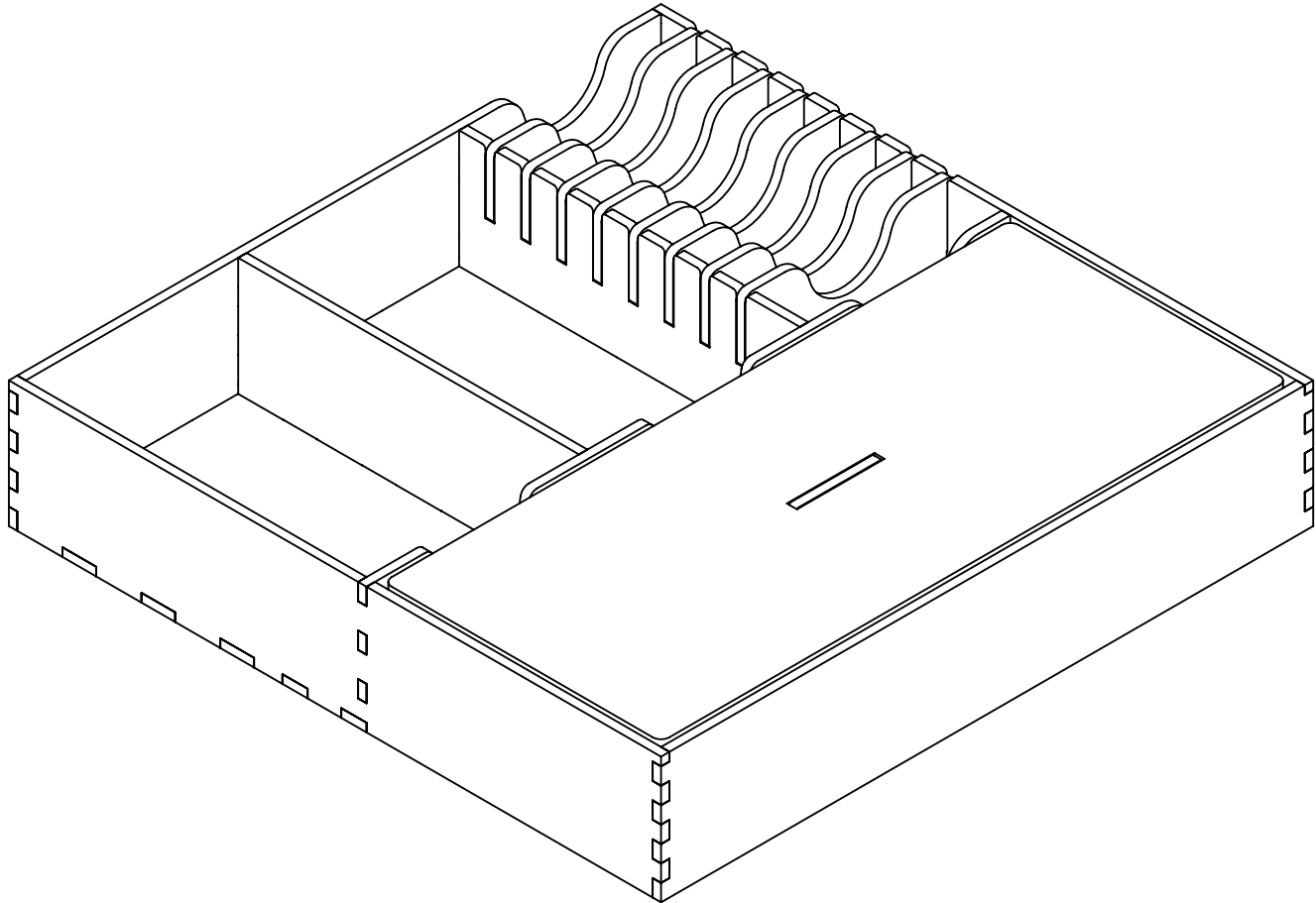


# Elder Sign Box Organizer

By R&H Firefly Workshops



## Box Organizer Includes:

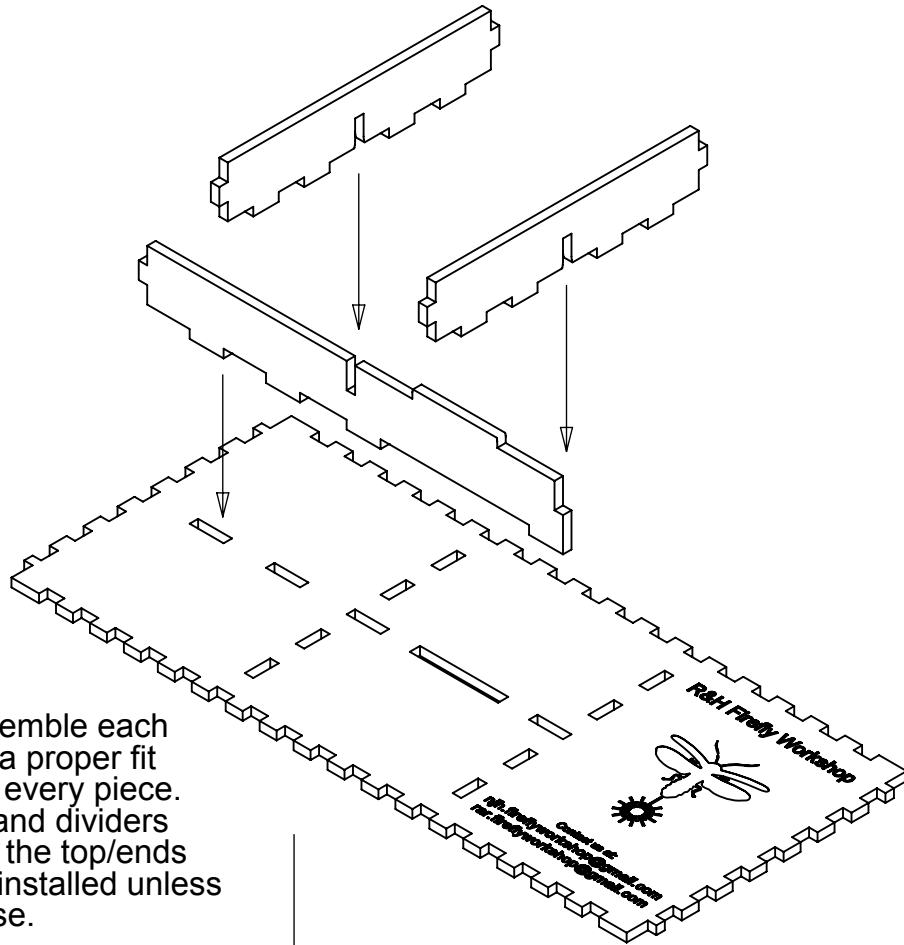
- Step by Step Instructions
- Removable Token Tray (Qty. 2)
- Removable Tray Lid (Qty. 1)
- Removable Card Dividers (Qty. 8)

Have a missing/damaged part? Have questions or comments?  
Contact us at:

[njh.fireflyworkshop@gmail.com](mailto:njh.fireflyworkshop@gmail.com)  
[rar.fireflyworkshop@gmail.com](mailto:rar.fireflyworkshop@gmail.com)

# Elder Sign Box Organizer

By R&H Firefly Workshops

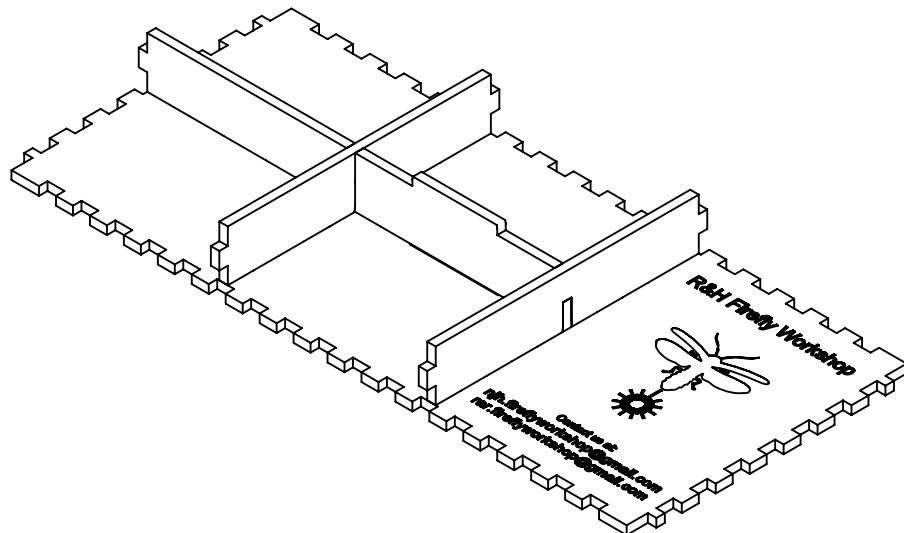


\*Tip - Fully assemble each step to ensure a proper fit and location of every piece. All separators and dividers will be flush on the top/ends when properly installed unless shown otherwise.

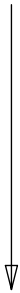
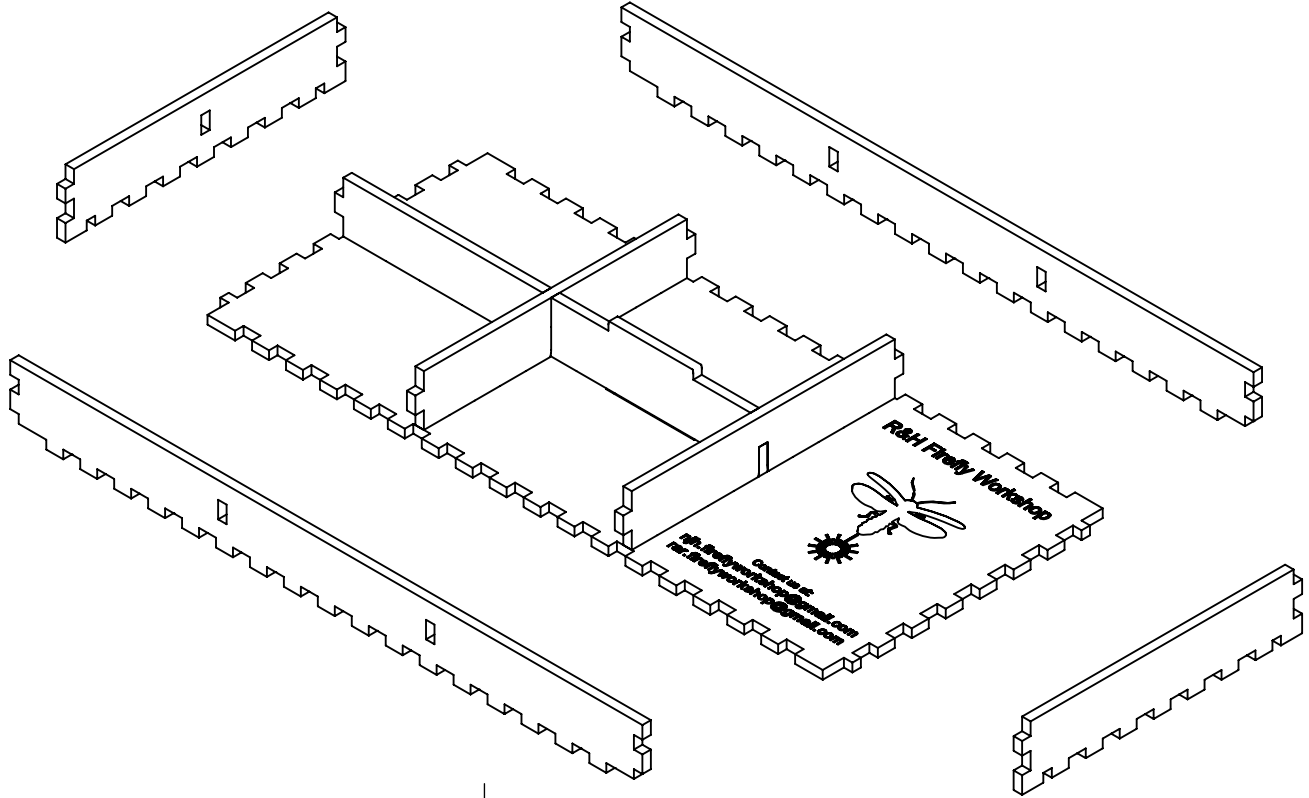
Once each step is assembled correctly, disassemble and reassemble while adding a small drop of super glue to every intersection where the parts slide together. Then use paper towel to wipe any excess glue off of the edges.

Step 1: Separate all of the pieces from their frames.

Step 2: Assemble both Token Trays, starting with the Inside Dividers first as shown.

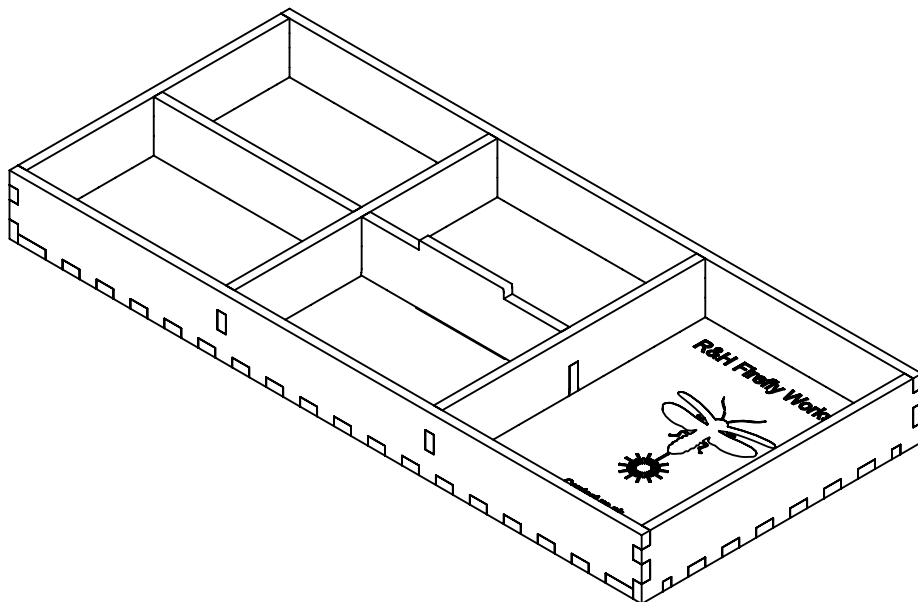


# Elder Sign Organizer (con't)

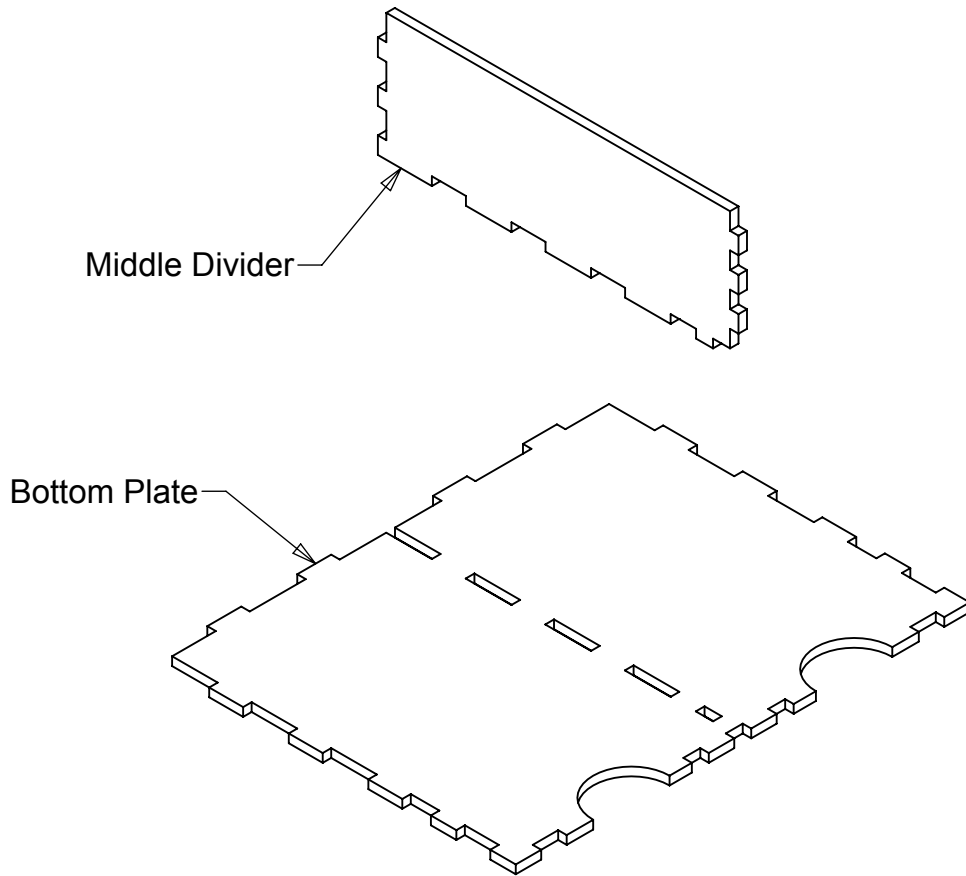


Step 3: Assemble the Side and End Dividers as shown.

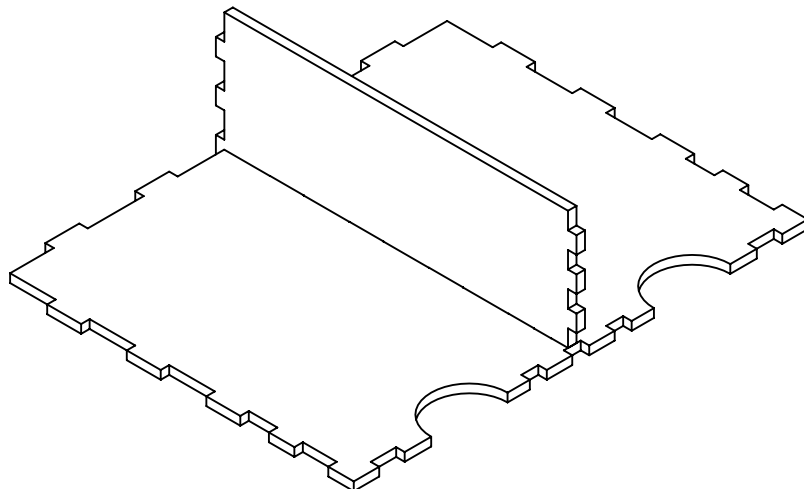
Set the aside until Step 7.



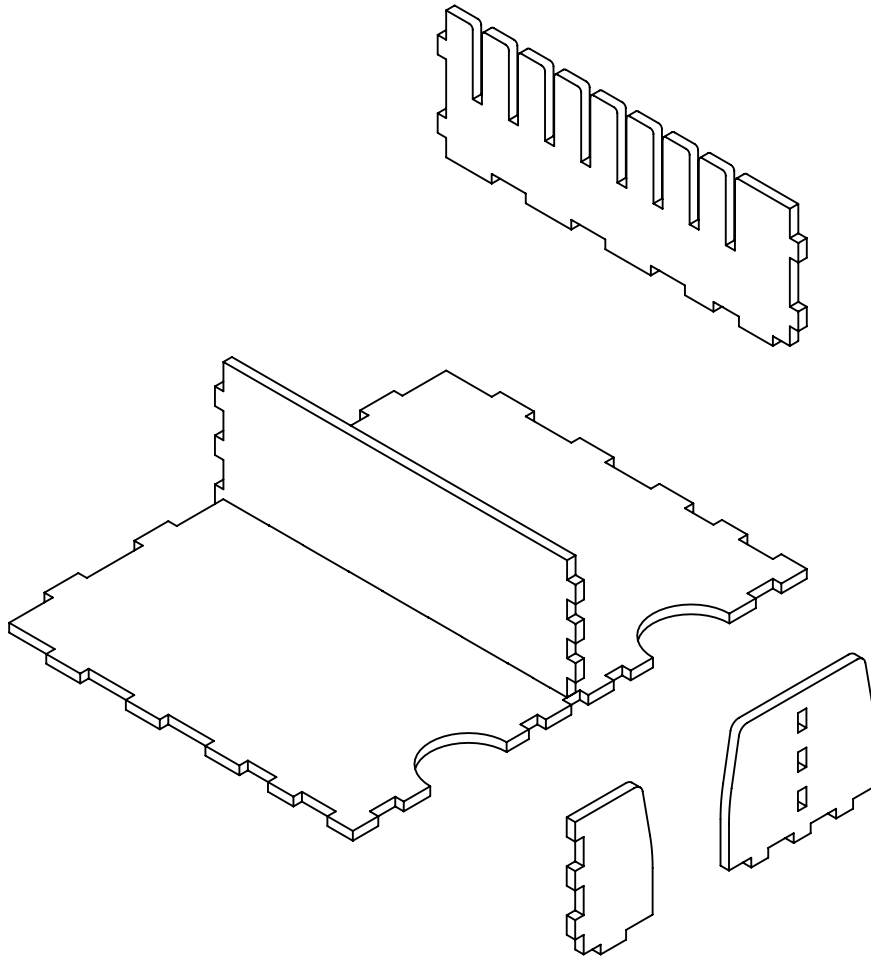
# Elder Sign Organizer (con't)



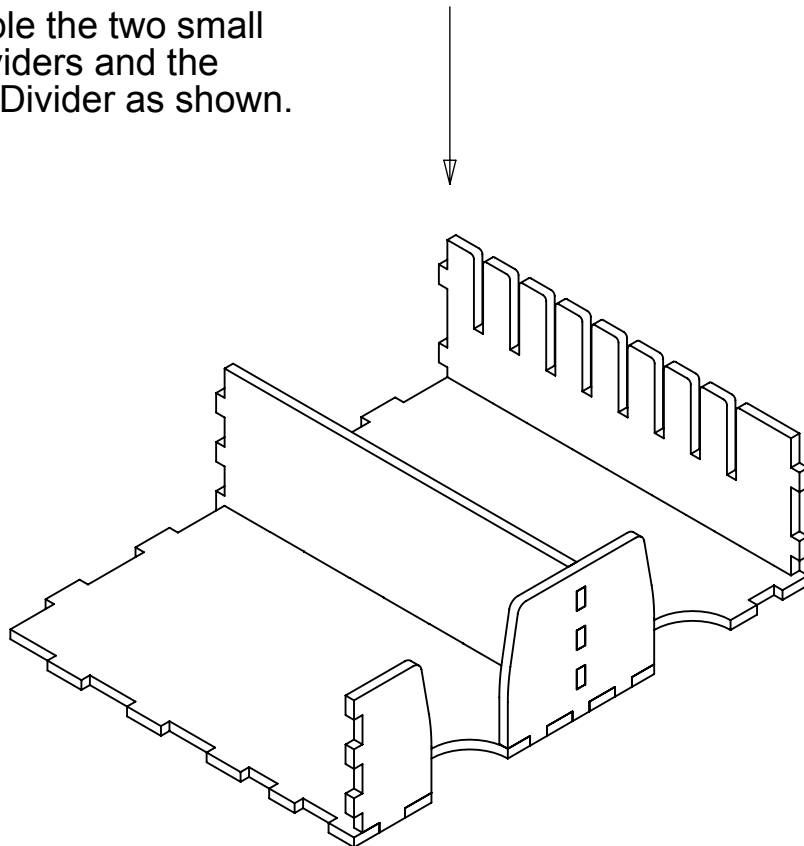
Step 4: Assemble the Middle Divider into the Bottom Plate as shown.



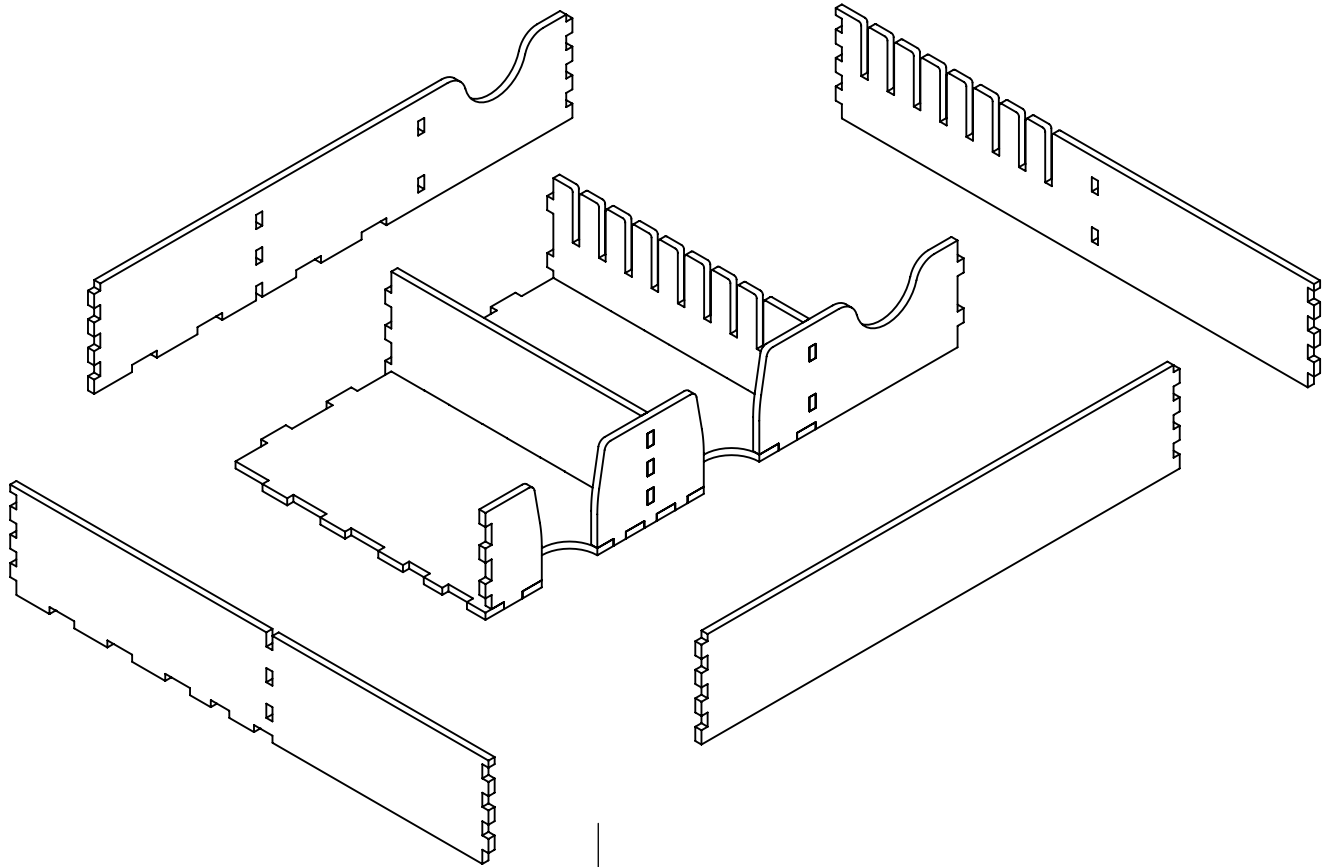
# Elder Sign Organizer (con't)



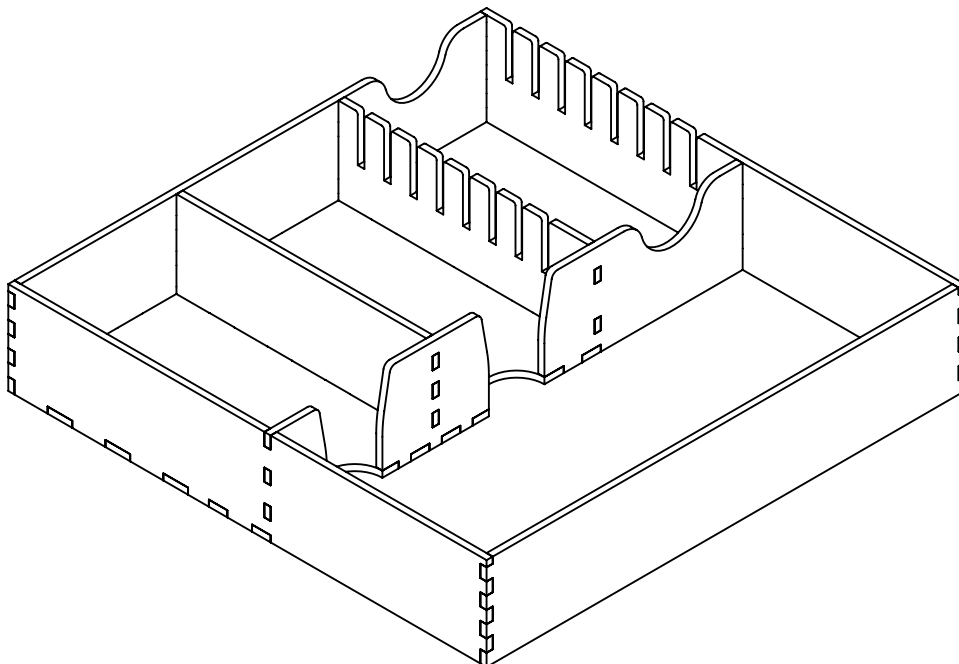
Step 5: Assemble the two small  
End Dividers and the  
Slotted Divider as shown.



# Elder Sign Organizer (con't)



Step 6: Assemble the 4 Outside Dividers as shown.



# Elder Sign Organizer (con't)

Step 7: Finish by inserting the Token Trays into the main organizer assembly. The two Token Trays are designed to fit on top of Each other. Do not glue the trays in place.

**\*Do not glue the dividers in place unless desired.**

