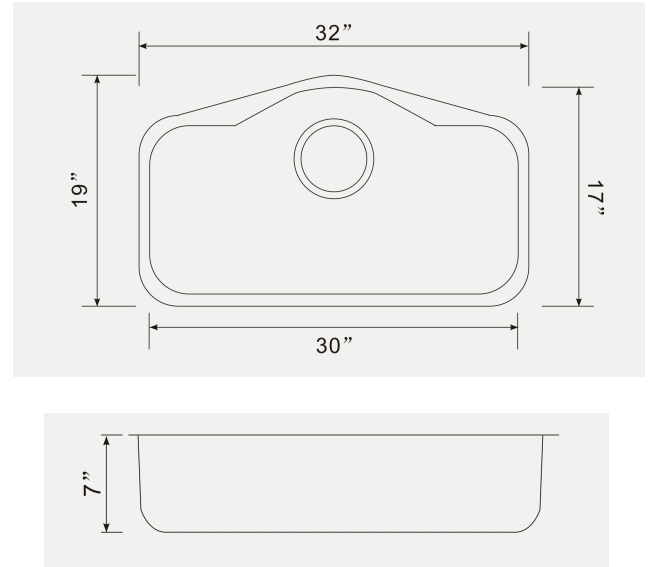


ONEX[®]

STAINLESS STEEL SINKS



OUS3219-7



MODEL OUS3219-7

OVERALL SIZE	810mm X 480 mm	32 "	<ul style="list-style-type: none"> • 304 brushed finish stainless steel 18 gauge • Stainless steel strainer, clips and template included • Sound deadening pads • Drain located towards rear to provide more space under the sink • Product certified ASME A112.19.3, CSA B45.0, and CSA B45.4
BOWL SIZE	760 X 430	30"	
DEPTH	7"		