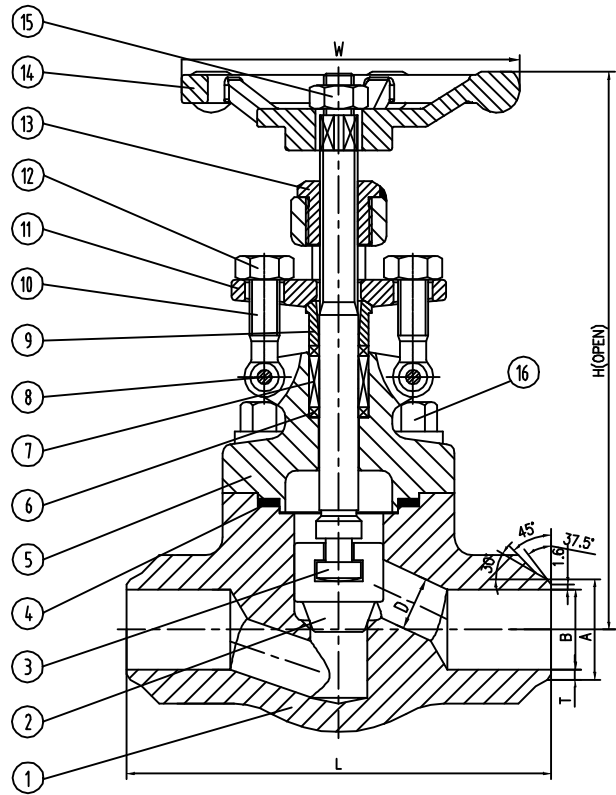


J61H-800LB



DN	SIZE	L	A	B	T	D	H	W
1"	25	111	33.4	26.6	3.38	17.5	203	125
2"	50	172	60.3	52.5	3.91	35	300	180

SPECIFICATIONS		
Nominal pressuer		Class 800
Testing Pressuer	Shell testing	21.0
	Seat testing	15.4
	Backseat testing	15.4
	Air seat testing	0.6
Max, Temperature		-29~425 °C

16	Bolt	B7
15	Handwheel nut	2H
14	Handwheel	DUCTILE IRON
13	Stem nut	2H
12	Eyebolt nut	2H
11	Gland flange	A105N
10	Eyebolt	B7
9	Gland	SS410
8	Pin	304
7	Packing	GRAPHITE
6	Packing	FLEXIBLEGRAPHITE
5	Bonnet	A105N
4	Bonnet gasket	304+GRAPHITE
3	STEM	SS304
2	DISC	304
1	BODY	A105N
	PART NAME	MATERIAL

BOLTED BONNET GLOBE VALVE,BUTT WELD END
SCH40,OUTSIDE SCREW A105N BODY

FIG.J61H-800

DN25- DN50