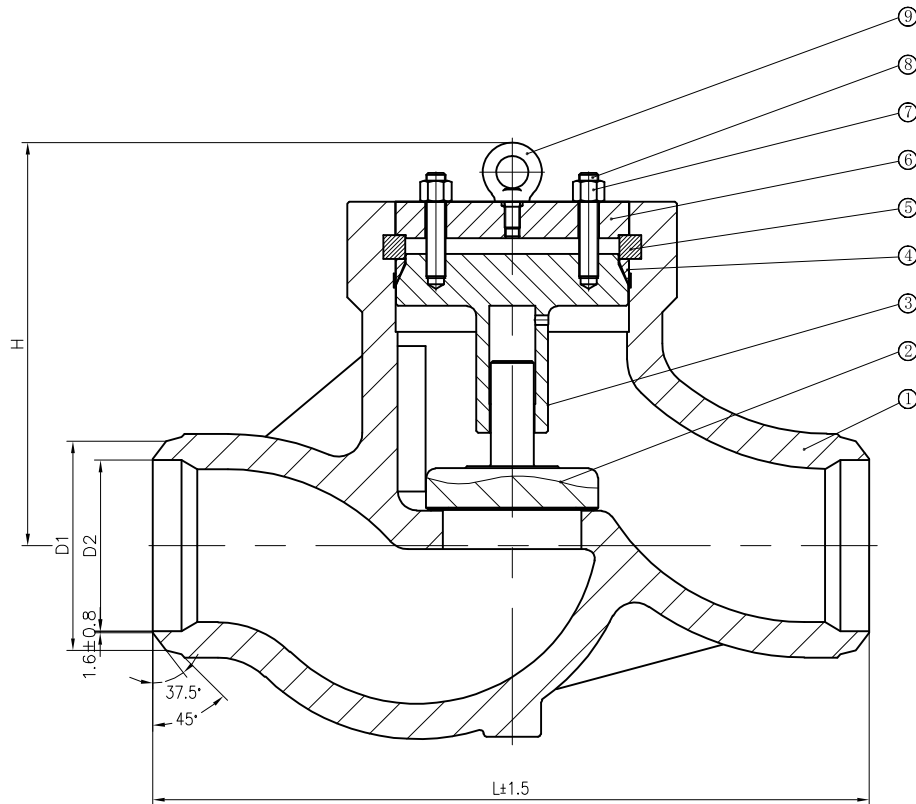


No.	Parts Name	Materials
1	Body	ASTM A217 WC6
2	DISC	F11+STL
3	Bush	ASTM A217 WC6
4	Pressure Ring	304
5	Gasket	304+Graphite
6	Bonnet	ASTM A217 WC6
7	Nut	ASTM A194 2H
8	Bolt	ASTM A193 B7
9	Lift ring bolt	1025



class 900

size	L	D1	D2	H
6"	508	φ 172	φ 140	292

VALVE DESIGN DATA			
SPECIFICATION REQUIRED		API 6D	
TYPE of VALVE		LIFT CHECK VALVE	
VALVE OPERATING			
VALVE PRESSURE CLASS		CLASS 900	
END CONNECTION TYPE		BW	
END to END DIMENSION		ANSI B16.10	
FLANGE DIMENSION		ANSI B16.25	
TEST		API 598	
PAINTING or COATING		-	
TEST PRESSURE	HYDRAULIC	SHELL :	22.5Mpa
		SEAT :	16.5Mpa
	PNEUMATIC	SEAT :	16.5Mpa
Date	REV. No.	DESIGNED	
DWG. No.		REVIEWED	
CLIENT		APPROVED	
TITLE		LIFT CHECK VALVE	