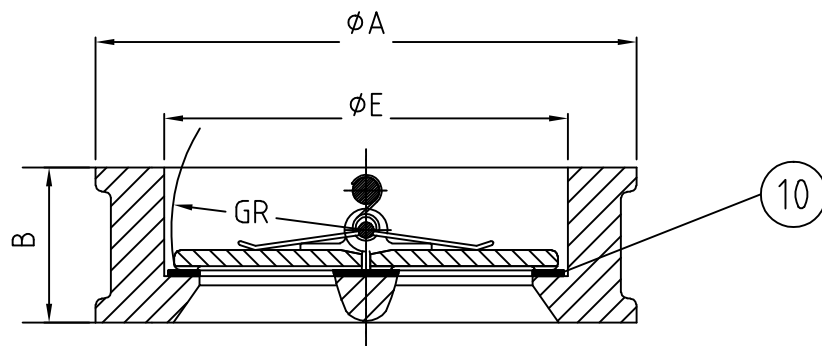
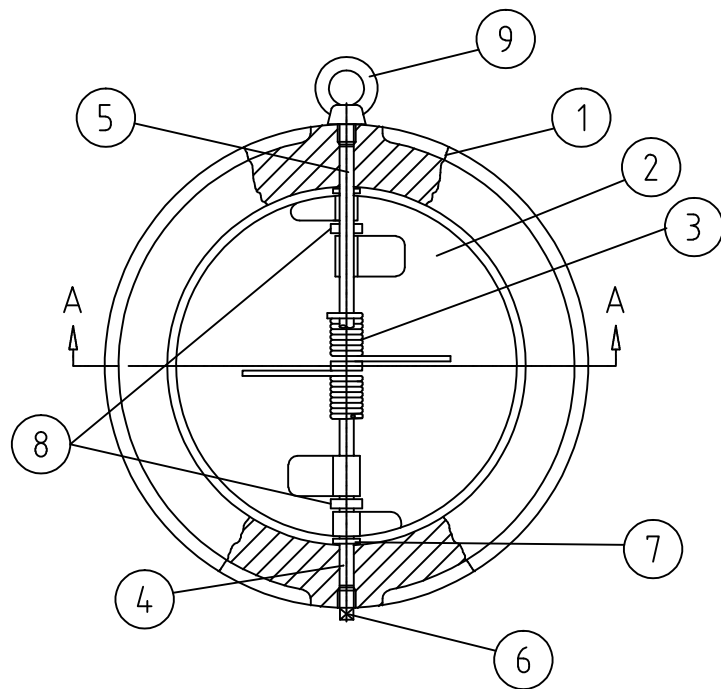


Unit:mm



SIZE		ϕA	ϕE	B	GR
mm	inch				
50	2"	102	65	60	28.8
65	2.5"	121	80	67	36.1
80	3"	133	94	73	43.4
100	4"	171	117	73	52.8
125	5"	193	145	83	66
150	6"	219	170	98	78.6
200	8"	276	224	127	104.4
250	10"	337	265	146	127
300	12"	406	310	181	148
350	14"	448	360	184	173
400	16"	511	410	191	198
450	18"	546	450	203	217.8
500	20"	603	505	219	241
600	24"	714	624	222	296

10	BODY SEAT	EPDM	1
9	EYE BOLT	CARBON STEEL	1
8	RING	PTFE	3
7	RING	PTFE	1
6	PLUG	CARBON SEEL	2
5	SHAFT	SS410	2
4	SHAFT	SS410	2
3	SPRING	SS304	2
2	DISC	CF8M	4
1	BODY	CI	4

NO.	PARTS NAME	MATERIAL	QTY
TEST PRESSURE	SHELL		SEAL
	HYDROSTATIC	350 PSI	250 PSI
	AIR		
STAND-ARD	DESIGN CODE	API594	
	INSPECTION & TEST	API598	
	END STANDARD	ANSI 150LB	
	FACE TO FACE	API594	

TITLE : DUAL PLATE WAFER TYPE CHECK VALVE
DN50-DN600

APPROVED		DWG NO.	REV
CHECKED		H76X-150LB	A
DRAWN			
DESIGNED		SCALE	UNIT
			mm