

The EnviroAire IAQ Polarized Media Electronic Air Cleaner installs directly into the 1" filter rack(s) in the existing heating and cooling system. Its electronically enhanced media combines elements of both electronic and media air cleaners. Particles are electrically charged (polarized) and then collected in the high efficiency media. Polarized sub-micron particles join with other particles and are collected on subsequent passes.

**FAST INSTALLATION**

- No costly ductwork modifications required.
- Plugs directly into 110V wall outlet or can connect to R and C terminals on most furnace control boards.

**EFFICIENT**

- 97% efficient at .3 microns.
- Efficiency increases as the media fibers load.

**REMOVES ODORS**

- Patented activated-carbon center screen is effective in removing cigarette smoke, pollen, dust, odors, and other contaminants.

**ECONOMICAL OPERATION**

- Low static pressure drop lets blower run efficiently.
- Power consumption is about the same as a 40-watt light bulb.

**EASY MAINTENANCE**

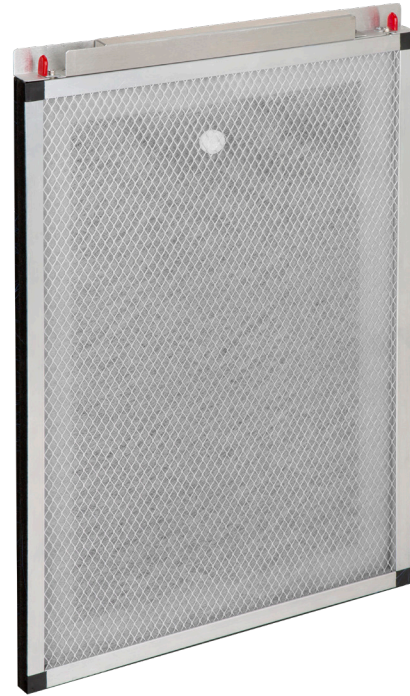
- No washing of components required.
- The disposable fiber media pads require only a few minutes to change.
- Media pads are generally changed every 3 to 4 months, depending on household conditions such as asthma, presence of pets, and/or smokers.

**SAFE, QUIET, DEPENDABLE OPERATION**

- Runs on 24Volts that feeds a high voltage power supply producing 6500 volts of DC output current. Its extremely high internal impedance makes it very safe and virtually short-circuit proof.
- Does not produce ozone or arcing like other electronic air cleaners.
- Does not produce charged (ionized) particles that collect on clothes, walls, and furnishings.

**WARRANTY**

- Product is backed by a lifetime warranty. Media is disposable and does not apply to warranty.

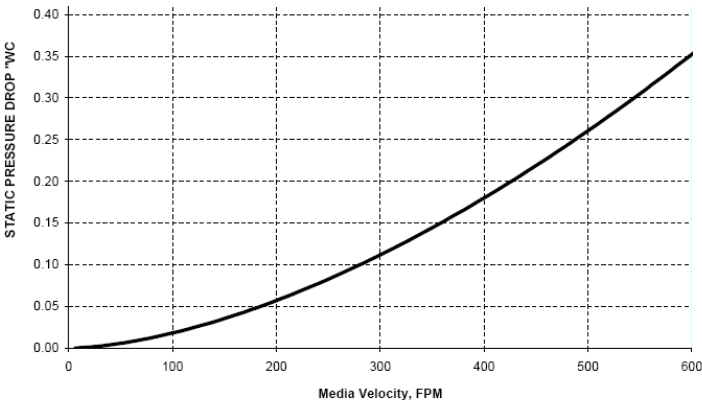


**PERFORMANCE DATA**

Electrical Input	24 VAC
Powerhead Output Voltage	7 kV (DC)
Power Consumption	1.4 Watts
Powerhead Volt/Amps Draw	1.45VA
Maximum Face Velocity	500 fpm
Ozone Generation	None

**PRESSURE DROP DATA**

EnviroAire IAQ Polarized Media Electronic Air Cleaners operate at the equivalency of a MERV 14 air filter without the high pressure drop normally associated with high efficiency filters.

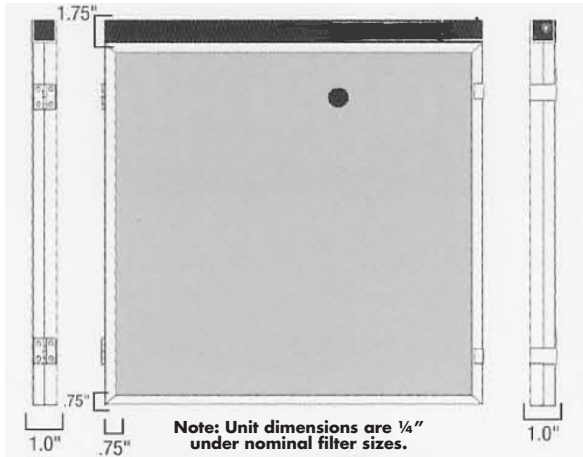


**EFFICIENCY COMPARISON**

Particle Size	Contaminant(s)	EnviroAire IAQ Cleaner	Other 4-6" Pleated Filters
		Capture Efficiency	
3-10 microns	pollen, mold, dust mites, hairspray	99%	98%
1-3 microns	auto emissions, lead dust, large bacteria	98%	Not Effective
.3-1 micron	smoke (tobacco, cooking), small bacteria, fine dust, paint pigments	97%	Not Effective
<.3 micron	VOCs (odors, gases including formaldehyde, from carpets, furniture, and cleaning products)	40%	Not Effective

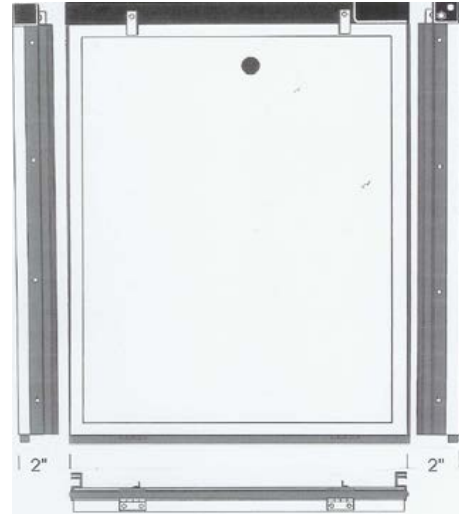
## DIMENSION DATA (STANDARD SIZES)

EnviroAire IAQ Polarized Media Electronic Air Cleaners are available in the following standard sizes: 12X12, 12X20, 12X24, 14X14, 14X20, 14X24, 14X25, 14X30, 15X20, 16X20, 16X24, 16X25, 16X30, 18X18, 18X20, 18X24, 20X20, 20X22, 20X24, 20X25, 20X30, 24X24, 24X30, 25X25, 16-1/2X21-5/8, 20X21-5/8, 21-1/2X23-1/4. Custom sizes are also available.



## RETROFIT MODELS

EnviroAire IAQ Polarized Media Electronic Air Cleaners are also available in several models as a retrofit to slide into existing media or electronic air cleaner cabinets.



## OPERATION

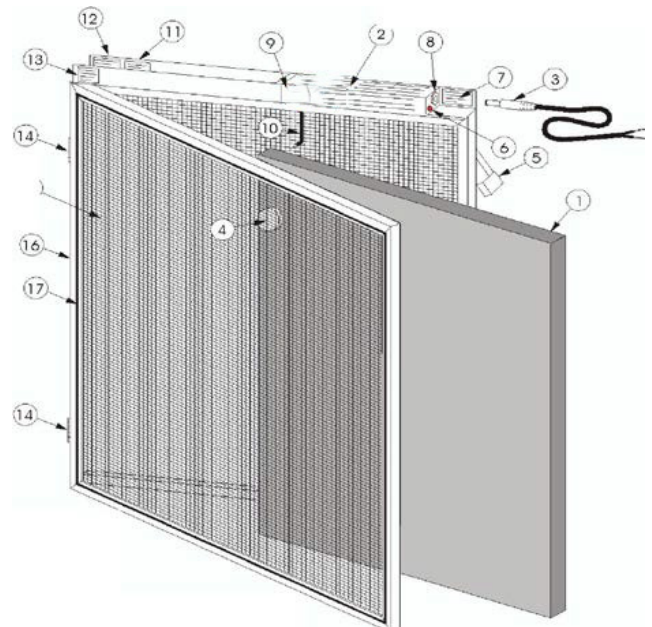
Each unit is shipped with a power supply cord that plugs into the air cleaner and wires directly to the "R" and "C" terminals located on most gas furnace integrated control boards. Refer to the Dynamic Polarized Media Electronic Air Cleaner Installation Instructions & Consumer Information for details.

An optional 110V step-down transformer allows the appliance to be plugged directly into any standard wall outlet.

## MAINTENANCE & FILTER MEDIA PAD REPLACEMENT

The only scheduled maintenance for the EnviroAire IAQ Polarized Media Electronic Air Cleaners is periodic replacement of the Replacement Media Pads. This is typically done every 3 to 4 months.

Item	Description
1	Replacement Media Pad
2	Powerhead (inside channel)
3	Power Cord
4	Electrode Insulator Button
5	Air Cleaner Latch
6	Power ON Light
7	Label "Unplug Before Opening"
8	Power Input Jack
9	Label
10	Electrode
11	Model / Power Rating Label
12	Air Cleaner Size Label
13	Patent Label
14	Hinge
15	Screen
16	Frame
17	Spline



**WARNING: FAILURE TO CHANGE THE MEDIA PAD ON A REGULAR BASIS COULD REDUCE AIRFLOW AND CAUSE DAMAGE TO THE HEATING AND COOLING SYSTEM.**