



TACOMA INSTALL

Suggested Tips and Tricks

This document is intended for suggested installation only. Your application or situation may differ. It does not guarantee a proper install of your lift system. Use your best judgment, quality materials and craftsmanship to ensure a successful installation.



-Need Spacers (acquire from us at TopperEZLift or make your own using the template on the last page)

-Slide 1/2" carriage bolts (B1) into the accessory rail as seen in Figure "A". If you do not have an accessory rail you will need 8 spacers (2 for each clamp) and 8 (2 for each clamp) 1/2"-13 x 2.5" long carriage bolts.



-You may want cut or file a notch in the head of the bolt and use a screw driver to hold the head from spinning when you tighten the bolts.



-You will also want to flip the actuator bracket upside down as seen in the picture to the left.

-When lining up the topper be aware of cab window where it meets the topper. You may have to move the topper back a little in order to clear the bump out on the back window of the cab. Pay close attention when you first raise the topper, if it looks like the topper will hit the bump out on the cab window, loosen the Upper Bracket bolts and move the topper back towards the tailgate.





-We chose to run the wiring under the truck for this install. We used the drain holes in the front corners (Figure "B") of the box and in the cargo bins (Figure "C") in the back of the box. You will have to drill them bigger or use a connector extraction tool.

(Manufacturer/part#; Tyco-AMP/458994-1)

http://www.connectorpeople.com/Connector/tyco-AMP-TE_CONNECTIVITY/4/458994-1

-Alternatively you can run the wires traditionally as explained in the Instruction manual.

-Double check the locations of your actuators and mock up all the brackets before securing into place.

-This will ensure that everything will fit correctly and avoid any surprises.



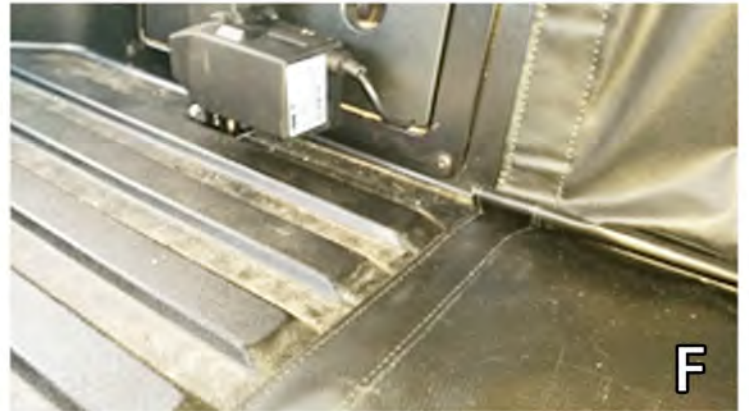
-Because of the angle of the truck box the Rear Driver side actuator cannot be orientated correctly thus the control box can not be mounted in the slot on the actuator. So we chose to mount the control box on the cargo bin on the driver side.

-We used a 3M VHB double sided tape to hold it in place. You could choose to fabricate a mount or place near the driver side rear in a different location by some sort of creative means.



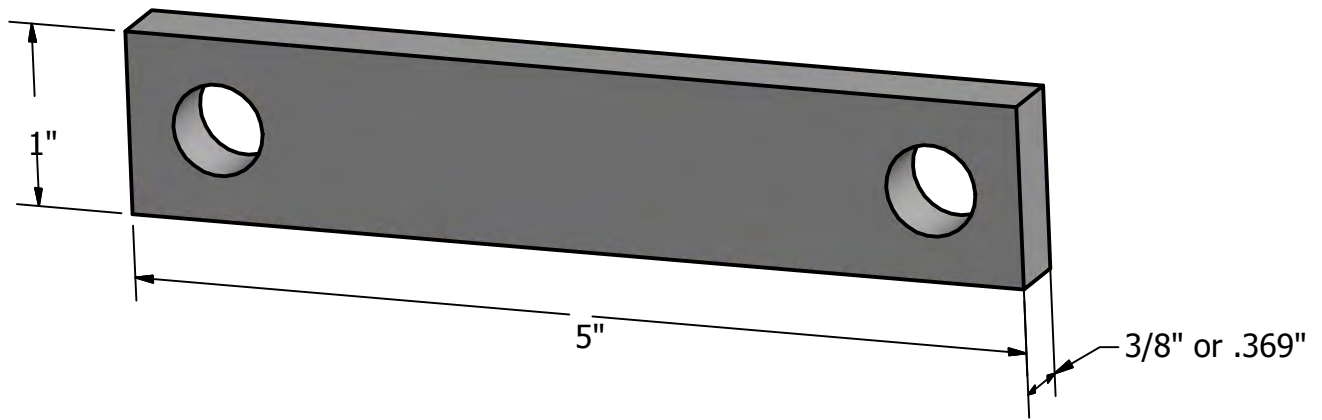


-If you are also installing the camper package be aware the camper package is designed to fit all Full-sized pick-ups and will be a little big for the Tacoma. But with a little tweaking it will all seal up nice and still function properly. As you can see in figure "D" there is some excess material on the tailgate piece. You can fold it over and bring the sides into the corner as seen in figures "E" and "F", this will help the tailgate piece function properly.



If you have additional questions please feel free to contact us at info@TopperEZLift.com or call us at 651-207-5634





Spacers are made of a nylon plastic (can be acquired from us at TopperEZLift, Plastic can also be purchased from Granger Tool and Equipment if you choose to make your own. it is not recommended to use any other material).

The spacers are 3/8 of an inch thick, 1 inch tall by 5 inches long. the holes are 1/2" round with the center being a 1/2 inch in from closest sides.

