

no batteries at all™

WP-02* Energy Harvesting Generator



WP-02

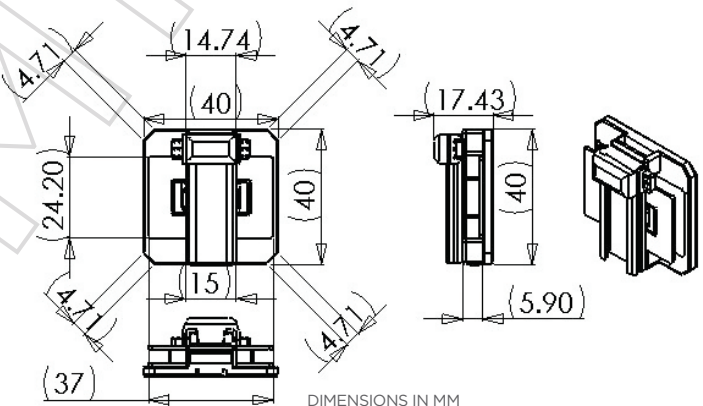
*Patents pending

WePower™

Technologies

Eliminate Battery Usage in Remote Control Applications

The WP-02 is an innovative, powerful, reliable, slide activated battery replacement for commercial and consumer applications (lighting, IoT, etc.). Elegant design requires less than 3 newtons of force to activate.



The Next Generation of Energy Harvesting Generators

Utilizing our patent pending, momentum transfer technology, the WP-02 generates loads of power in a standard-sized footprint, while requiring significantly less force to activate. Here is the generator that product designers in the consumer markets have been searching for. Shown here in early prototype form, with specifications derived from 3D printed parts, the production version of the WP-02 will have improved upon specs than the preliminary ones shown here.

www.wepowertechnologies.com

WP-02* Energy Harvesting Generator



WP-02 slider push up (ON)



WP-02 slider push down (OFF)

POWER OUTPUT CHARACTERISTICS:

- ▶ Output: 30.4 Volts AC (Peak-Peak)
- ▶ 3.4VDC (when rectified and regulated) @ 20mA
- ▶ Ring Down Duration to 3.4 VDC: 15 mSec

Electrical Characteristics	MIN	TYPICAL	MAX	UNITS
Peak Voltage Generated			30.4	Vac
Current Rating			20	mA
Time of Voltage Out		~15		mSecs
Operating Force			< 3	N

- ▶ Self-contained, small battery-less generator able to be activated in slide switch applications
- ▶ Same footprint as other popular energy harvesting generators
- ▶ Can be activated with less than 3 newtons of force
- ▶ Perfect for consumer and commercial lighting systems and many other IoT applications requiring low-force activation

*Patents pending