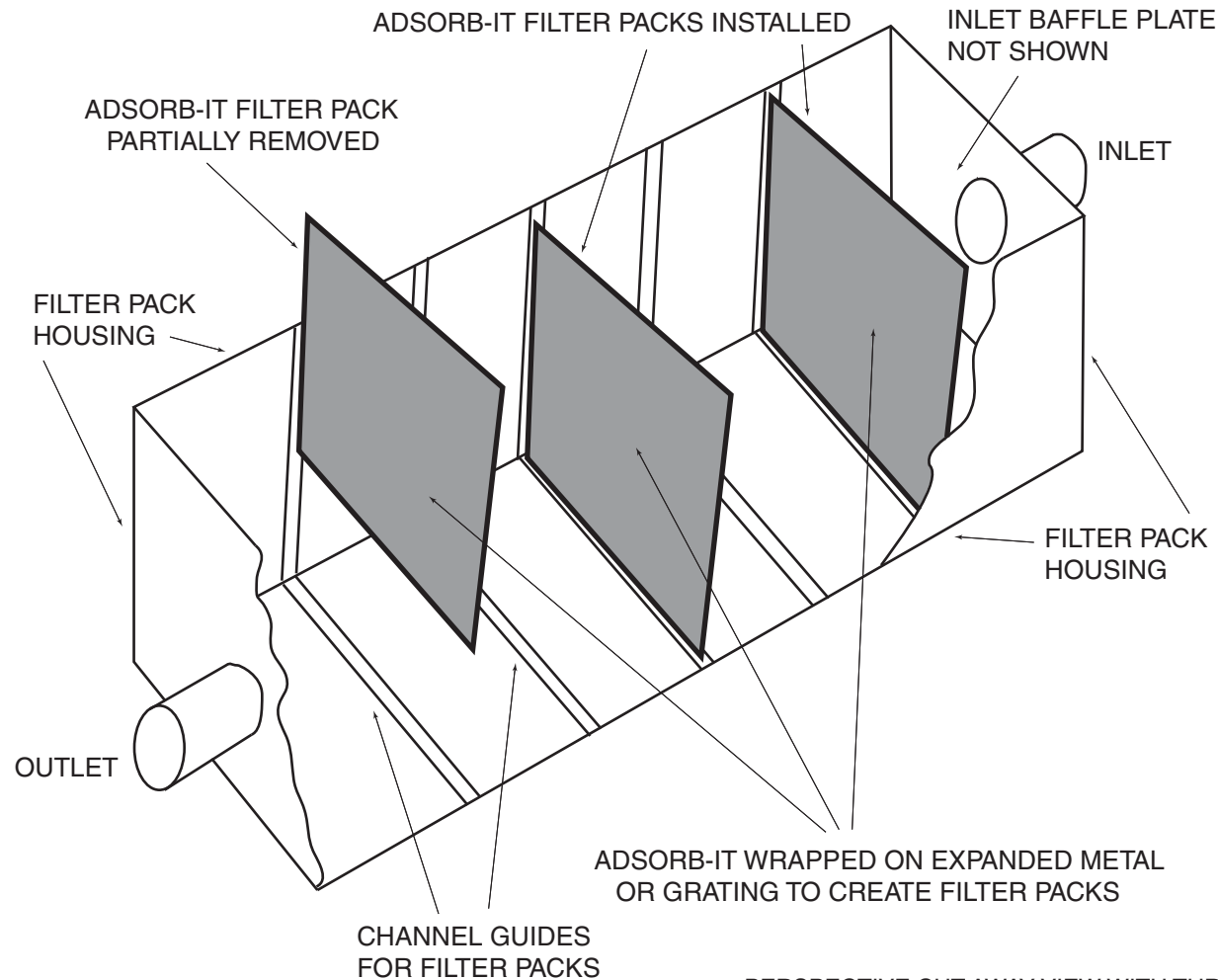


ADSORB-IT POLISHING FILTER PACK UNIT



PERSPECTIVE CUT-AWAY VIEW WITH THREE OF A POSSIBLE FIVE ADSORB-IT FILTER PACKS INSTALLED (ONE PACK PARTIALLY REMOVED).

Product Name: ADsorb-it Polishing Filter Pack Unit
 Product Description: ADsorb-it fabric wrapped on expanded metal screen, grating, or other porous support medium, and inserted into guides in a filter housing.

Eco-Tec, Inc.
 P.O. Box 690
 Vaughn, Washington 98394-0690
 U.S.A.
 www.eco-tec-inc.com
 Toll Free 888.668.8982 International 001.253.884.6804

