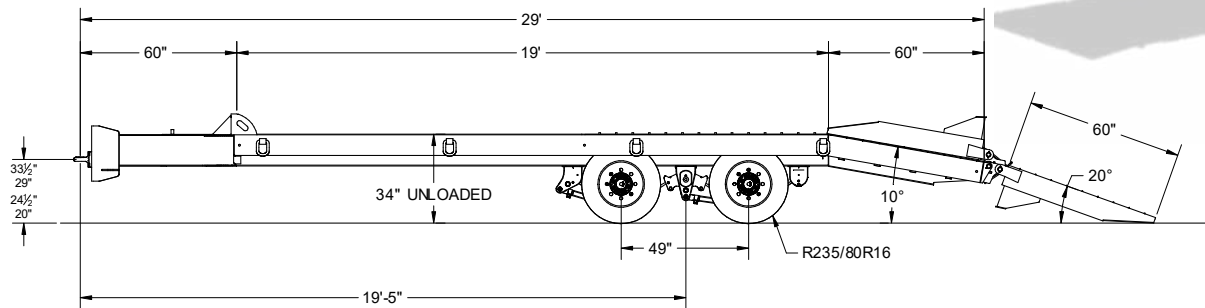


# TA12 · Tag Along



Since 1976, Pitts has built trailers for the construction, commercial and forestry markets tough enough for every job and priced to make you profitable.

Pitts Trailers is the world's largest and only complete line forestry manufacturer, moving the forestry transportation market forward with its log trailers, open and closed top chip vans, moving floor vans, and hydraulic elevating trailers with crawler suspension for knuckle boom loaders.

# TA12 Standard Features



<b>CAPACITY</b>
24,000 lb. capacity at 55 MPH
<b>ESTIMATED TARE WEIGH</b>
6,250 lbs
<b>DIMENSIONS</b>
Overall: 102" width x 29' length
Platform: 34" height x 24' length
Dovetail: 60" length
Ramp: 23 ½" width x 60" length
<b>LOAD BASE</b>
1 ½" Premium Apitong
<b>MAIN RAILS</b>
W12" x 16# A572 Gr. 50 - High Tensile
<b>CROSSMEMBERS</b>
6" Jr. I-Beam A572 Gr. - High Tensile
<b>AXLES</b>
(2) Heavy Duty 12,000 lbs (2)
<b>BRAKES</b>
12 ¼" X 5" Electric

<b>SUSPENSION</b>
Heavy Duty H9700
<b>TIRES</b>
(8) 235/80R16 (E)
<b>WHEELS</b>
8 Hole, "Budd" Type Disc
<b>ELECTRIC SYSTEM</b>
Grote Ultra Blue™ - Sealed Wiring Harness -
Grote™ High Count LED Lights
<b>HITCH</b>
Adjustable Pintle Eye
<b>LANDING GEAR</b>
Heavy Duty Drop Leg 2-Speed
<b>PAINT</b>
Shot Blasted - Primed - Painted with PPG™
Automotive Grade Acrylic Urethane Top Coat