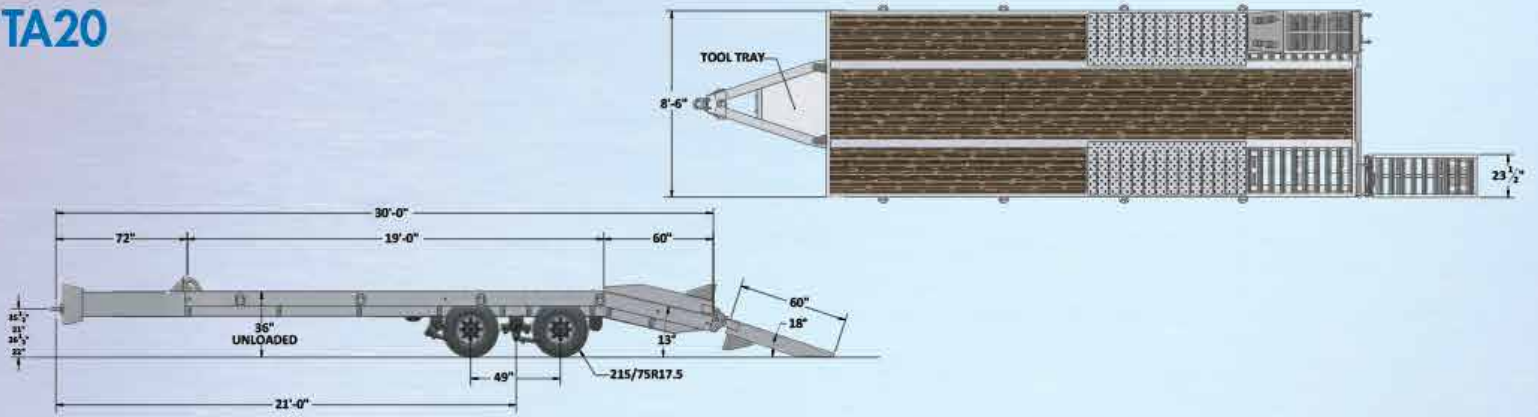


Tag Along
Air



You're Ahead With A Pitts Behind™

TA20



CAPACITY

- ▶ 40,000 lb capacity at 55 MPH

ESTIMATED TARE WEIGHT

- ▶ TA20: 7,600 lbs

DIMENSIONS

- ▶ Overall: 102" width x 30' length
- ▶ Platform: 36" height x 24' length
- ▶ Dovetail: 60" length
- ▶ Ramp: 23 1/2" width x 60" length

LOAD BASE

- ▶ 1 1/2" Premium Apitong

MAIN RAILS

- ▶ W14" x 22# A572 Gr. 50 - High Tensile

CROSSMEMBERS

- ▶ 6" Jr. I-Beam A572 Gr. 50 - High Tensile

AXLES

- ▶ (2) Heavy Duty 22,500 lbs

BRAKES

- ▶ 12 1/4" X 7 1/2" Air - ABS

SUSPENSION

- ▶ Heavy Duty H9700

TIRES

- ▶ (8) 215/75R x 17.5 - 16 Ply Radial

WHEELS

- ▶ 8 Hole, Hub Piloted

ELECTRIC SYSTEM

- ▶ Grote Ultra Blue™ – Sealed Wiring Harness – Grote™ High Count LED Lights

HITCH

- ▶ Adjustable Pintle Eye

LANDING GEAR

- ▶ Heavy Duty Drop Leg 2-Speed

PAINT

- ▶ Shot Blasted – Primed – Painted with PPG™ Automotive Grade Acrylic Urethane Top Coat

CAPACITY

- ▶ 50,000 lb capacity at 55 MPH

ESTIMATED TARE WEIGHT

- ▶ TA25: 10,850 lbs

DIMENSIONS

- ▶ Overall: 102" width x 35' length
- ▶ Platform: 36" height x 29' length
- ▶ Dovetail: 60" length
- ▶ Ramp: 23 1/2" width x 60" length

LOAD BASE

- ▶ 1 1/2" Premium Apitong

MAIN RAILS

- ▶ W14" x 26# A572 Gr. 50 - High Tensile

CROSSMEMBERS

- ▶ 6" Jr. I-Beam A572 Gr. 50 - High Tensile

AXLES

- ▶ (3) Heavy Duty 22,500 lbs

BRAKES

- ▶ 12 1/4" X 7 1/2" Air - ABS

SUSPENSION

- ▶ Heavy Duty H9700

TIRES

- ▶ (12) 215/75R x 17.5 - 16 Ply Radial

WHEELS

- ▶ 8 Hole, Hub Piloted

ELECTRIC SYSTEM

- ▶ Grote Ultra Blue™ – Sealed Wiring Harness – Grote™ High Count LED Lights

HITCH

- ▶ Adjustable Pintle Eye

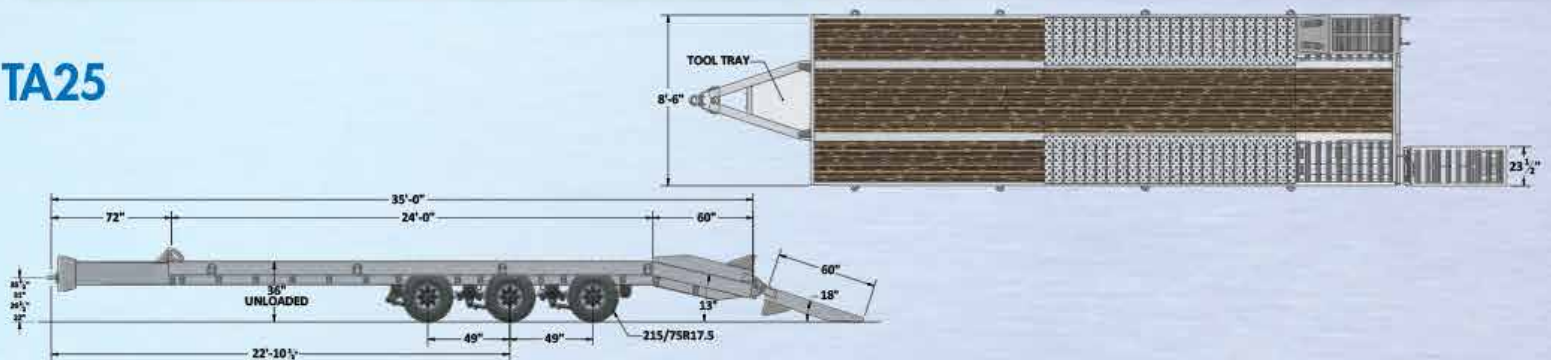
LANDING GEAR

- ▶ Heavy Duty Drop Leg 2-Speed

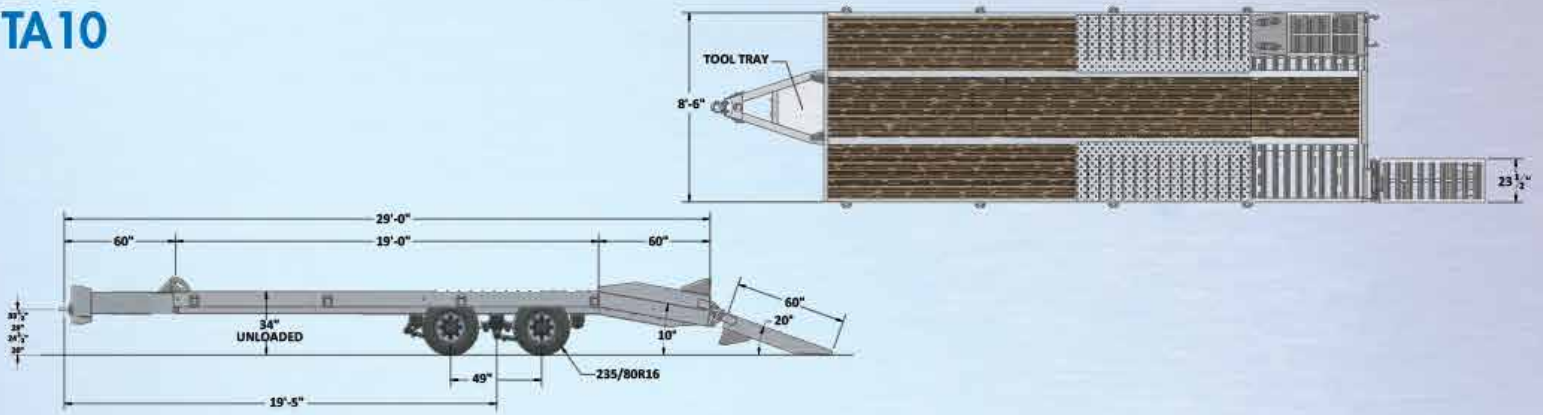
PAINT

- ▶ Shot Blasted – Primed – Painted with PPG™ Automotive Grade Acrylic Urethane Top Coat

TA25



TA10



CAPACITY

- ▶ 20,000 lb capacity at 55 MPH

ESTIMATED TARE WEIGHT

- ▶ TA10: 5,900 lbs

DIMENSIONS

- ▶ Overall: 102" width x 29' length
- ▶ Platform: 34" height x 24' length
- ▶ Dovetail: 60" length
- ▶ Ramp: 23 1/2" width x 60" length

LOAD BASE

- ▶ 1 1/2" Premium Apitong

MAIN RAILS

- ▶ W12" x 16# A572 Gr. 50 - High Tensile

CROSSMEMBERS

- ▶ 6" Jr. I-Beam A572 Gr. - High Tensile

AXLES

- ▶ (2) Heavy Duty 10,000 lbs

BRAKES

- ▶ 12 1/4" X 4" Electric

SUSPENSION

- ▶ Heavy Duty H9700

TIRES

- ▶ (8) 235/80R16 (E)

WHEELS

- ▶ 8 Hole "Budd" Type Disc

ELECTRIC SYSTEM

- ▶ Grote Ultra Blue™ – Sealed Wiring Harness – Grote™ High Count LED Lights

HITCH

- ▶ Adjustable Pintle Eye - 4 Position

LANDING GEAR

- ▶ Heavy Duty Drop Leg 2-Speed

PAINT

- ▶ Shot Blasted – Primed – Painted with PPG™ Automotive Grade Acrylic Urethane Top Coat

CAPACITY

- ▶ 24,000 lb capacity at 55 MPH

ESTIMATED TARE WEIGHT

- ▶ TA12: 6,250 lbs

DIMENSIONS

- ▶ Overall: 102" width x 29' length
- ▶ Platform: 34" height x 24' length
- ▶ Dovetail: 60" length
- ▶ Ramp: 23 1/2" width x 60" length

LOAD BASE

- ▶ 1 1/2" Premium Apitong

MAIN RAILS

- ▶ W12" x 16# A572 Gr. - 50 High Tensile

CROSSMEMBERS

- ▶ 6" Jr. I-Beam A572 Gr. - High Tensile

AXLES

- ▶ (3) Heavy Duty 12,000 lbs (3)

BRAKES

- ▶ 12 1/4" X 5" Electric

SUSPENSION

- ▶ Heavy Duty H9700

TIRES

- ▶ (8) 235/80R16 (E)

WHEELS

- ▶ 8 Hole, "Budd" Type Disc

ELECTRIC SYSTEM

- ▶ Grote Ultra Blue™ – Sealed Wiring Harness – Grote™ High Count LED Lights

HITCH

- ▶ Adjustable Pintle Eye

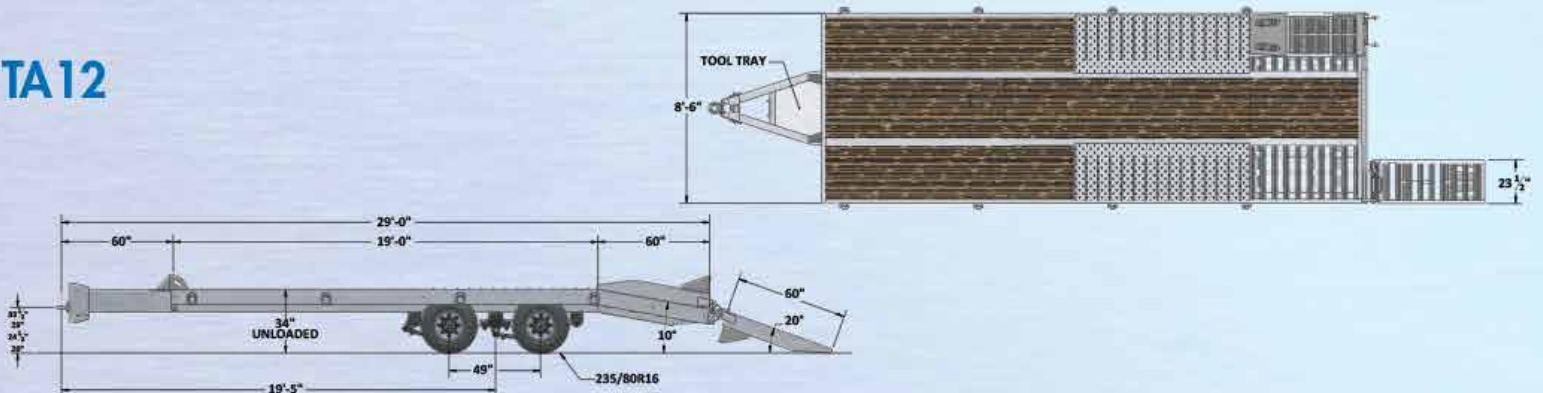
LANDING GEAR

- ▶ Heavy Duty Drop Leg 2-Speed

PAINT

- ▶ Shot Blasted – Primed – Painted with PPG™ Automotive Grade Acrylic Urethane Top Coat

TA12



Note: All specifications are subject to change without prior notification. All dimensions and weights are approximate. Trailers pictured in this brochure may feature optional equipment. Axle placement and legal load ratings are dependent upon federal, state, and local regulations, GAWR and tire ratings.

Copyright © 2018 Pitts Enterprises, Inc. (published). All rights reserved.

Tag Along
Electric



You're Ahead With A Pitts Behind™