

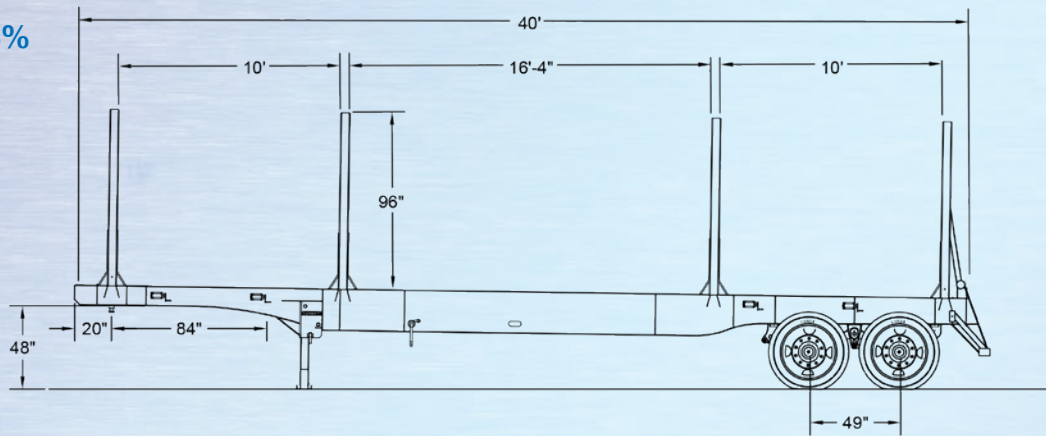
Straight Frame



“You’re Ahead with a Pitts Behind”™

LT40-L

9,300 lbs +/- 3%



AXLES

- ▶ 25,000 lb capacity, 77 1/2" track
- ▶ Anti Lock brake system
- ▶ 16 1/2" x 7" air brakes
- ▶ Type 30/30 brake chambers

SUSPENSION

- ▶ Hutch 9700 3-point heavy duty 4-leaf steel spring - top slung

WHEELS

- ▶ 10 hole unimount

TIRES

- ▶ 11R24.5 radials

BOLSTERS

- ▶ 4" x 10" tubing, 70K yield (LT40-L)
- ▶ 3 1/2" x 9 1/2" tubing, 100K yield (LT40-UL)

STANDARDS

- ▶ 5" x 5" tubing, 70K yield (LT40-L)
- ▶ 4 1/2" x 4 1/2" tubing, 100K yield (LT40-UL)

LANDING GEAR

- ▶ 4 1/2" x 4 1/2" tubing, 100K yield

BUMPER

- ▶ 4" x 6" tubing, 70K yield

AIR TANK

- ▶ Covered

MAINFRAMES

- ▶ 23" fabricated beam, T-1 steel

WINCHES

- ▶ With 30' nylon straps

TOOL BOX

- ▶ (1) Standard

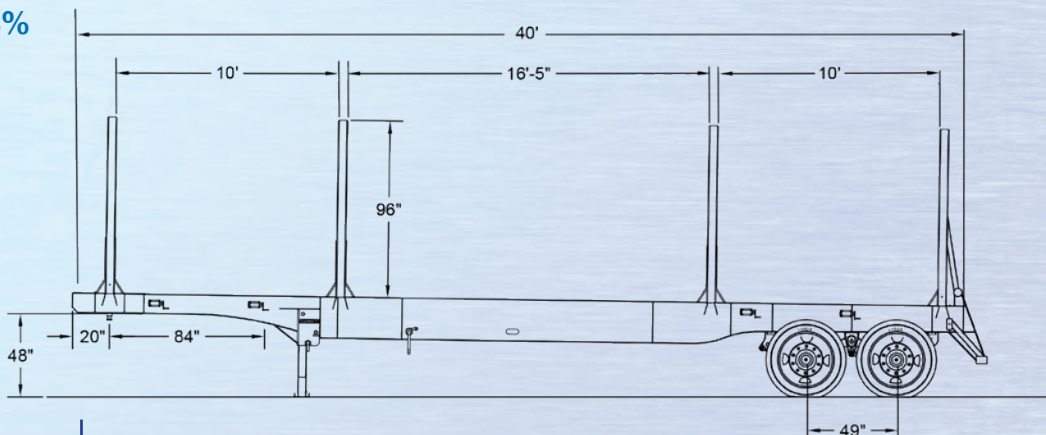
PAINT

- ▶ High quality 2-part PPG acrylic urethane
- ▶ High quality 2-part PPG primer
- ▶ White blasted and cleaned prior to painting
- ▶ Electrostatic primer and paint application
- ▶ Pitts Black is standard

Popular options: Revolver greaseless coupling system * Aluminum wheels * Grapple bar * Electronic or air scales
* Single point spring suspension * PITTS-air lift axle on a single point suspension * Air ride suspension * Headboard
* Slideable bolsters * Custom designs

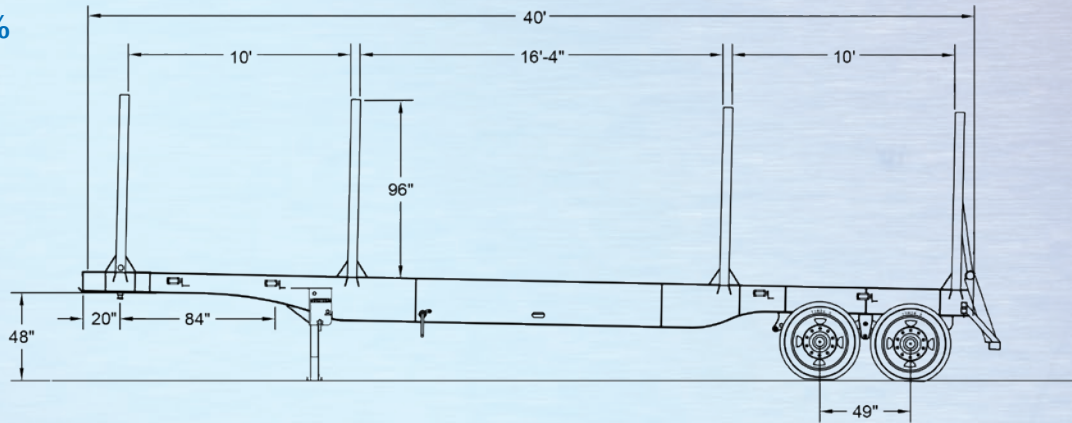
LT40-UL

8,650 lbs +/- 3%



LT40

10,800 lbs +/- 3%



AXLES

- ▶ 25,000 lb capacity, 77 1/2" track
- ▶ Anti Lock brake system
- ▶ 16 1/2" x 7" air brakes
- ▶ Type 30/30 brake chambers

SUSPENSION

- ▶ Hutch 9700 3-point heavy duty 4-leaf steel spring
 - ▶ Top slung (LT40)
 - ▶ Underslung (PT22)

WHEELS

- ▶ 10 hole unimount

TIRES

- ▶ 11R24.5 radials (LT40)
- ▶ 11R22.5 radials (PT22)

BOLSTERS

- ▶ 4" x 10" tubing, 70K yield

STANDARDS

- ▶ 5" x 5" tubing, 70K yield

LANDING GEAR

- ▶ 4 1/2" x 4 1/2" tubing, 100K yield

BUMPER

- ▶ 4" x 6" tubing, 70K yield

AIR TANK

- ▶ Covered

MAINFRAMES

- ▶ 21" wide flange mil roll I-beam, (LT40)
- ▶ mil roll I-beam (PT22)

WINCHES

- ▶ With 30' nylon straps 14" wide flange

TOOL BOX

- ▶ (1) Standard

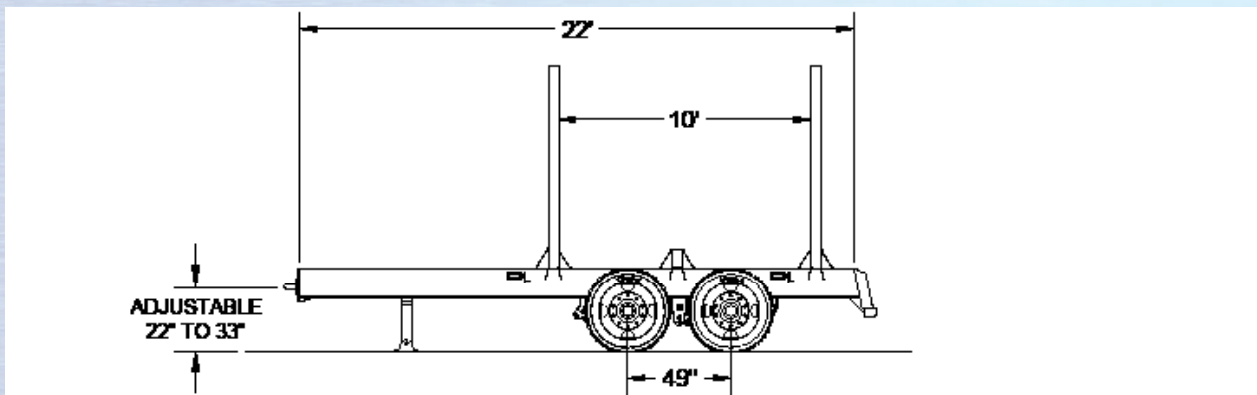
PAINT

- ▶ High quality 2-part PPG acrylic urethane
- ▶ High quality 2-part PPG primer
- ▶ White blasted and cleaned prior to painting
- ▶ Electrostatic primer and paint application
- ▶ Pitts Black is standard

Popular options: Revolver greaseless coupling system * Aluminum wheels * Grapple bar * Electronic or air scales
 * Single point spring suspension * PITTS-air lift axle on a single point suspension * Air ride suspension * Headboard
 * Slideable bolsters * Custom designs

PT22

6,975 lbs +/- 3%



Note: All specifications are subject to change without prior notification. All dimensions and weights are approximate. Trailers pictured in this brochure may feature optional equipment. Axle placement and legal load ratings are dependent upon federal, state, and local regulations, GAWR and tire ratings. Copyright © 2016 Pitts Enterprises, Inc. (published). Pate. All rights reserved.

Pintle Hitch

PITTS Trailers[®]
Since 1976



“You’re Ahead with a Pitts Behind”™