

Open implants

Implant components, evolved.

By dental technicians.



Rise to new heights

- Maximize the height for the restoration (up to 10mm)
- Experience a more streamlined digital process
- Simplify your inventory and ordering needs

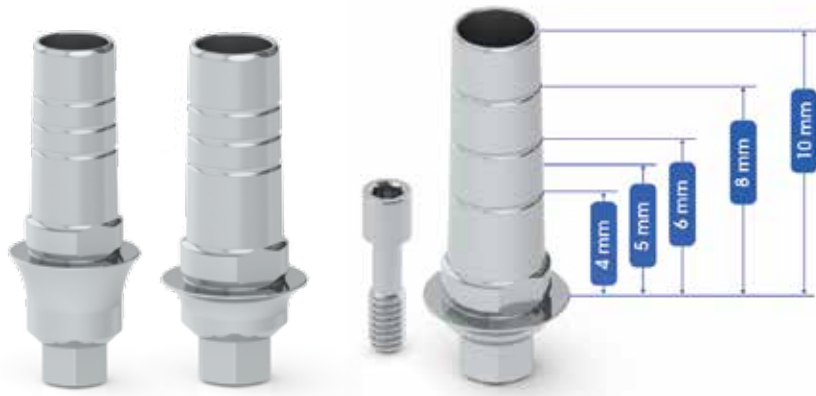
*“The **Open Implants system** gives us more flexibility. We love the titanium bases because with the height and options for non-engaging and various heights, we can do restorations that we could not do before. Instead of titanium custom abutments we can do hybrid custom abutments or screw retained crowns, which means we do them in-house faster, save our customers’ money and it is more profitable.”*

– Darren Stiff, MDT

Titanium Base Sets

Simply customizable. Simpler inventory.

Maximize the height for each restoration



One brilliantly designed
Analog for both
3D printed & stone models

Gingival height options for various patient situations

- Customize the height of the Ti-base up to 8 or 10 mm
- Gingival height options for various patient situations
- For a streamlined workflow, use with OI scan bodies and library (files for each height, select in the order form)
- Engaging flat to ensure anti-rotation
- Cement groove for excess cement
- Set includes one screw
- Screw is compatible with implant manufacturer driver



Engaging for single units



Non-engaging for bridges

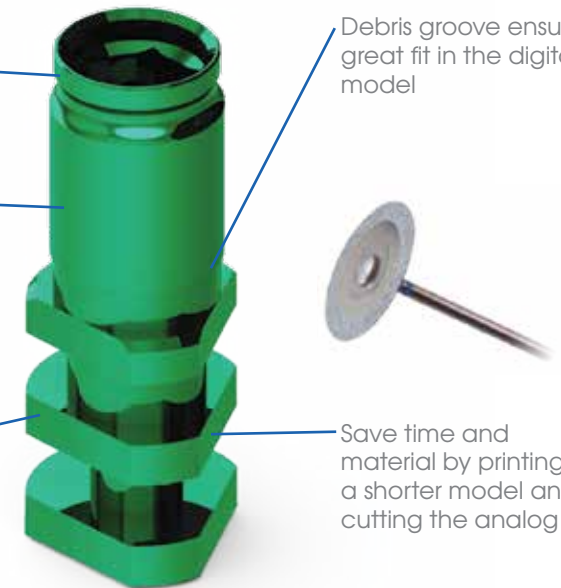
Specially designed
"O-ring" to snap the
gingival tissue model
into place

Durable materials
(titanium or stainless
steel) protect the
interface from
deformation

Groove design
provides stability for
digital or stone models

Debris groove ensures
great fit in the digital
model

Save time and
material by printing
a shorter model and
cutting the analog



Scan Bodies & Kits

Quality materials. Simply smart design.

Geometry engineered for accuracy & meshing of data

PEEK for scannability

Laser etched product code for easy identification

3665

Durable stainless steel body resists wear
Seating can be confirmed with radiograph

Titanium screw will not detach in the lab or in a patient's mouth

Screw is compatible with implant manufacturer driver



Intro Kit: 15 scan bodies
(value of \$585)
free with purchase of **\$1500**

Complete Kit: 30 scan bodies
(value of \$1170)
free with purchase of **\$3000**

Download the 3Shape or exocad libraries at openimplants.com/downloads

Multi Unit Components

Compatible with Nobel Biocare® Multi units



Titanium Insert

- Non-engaging
- Screw load is on the titanium insert

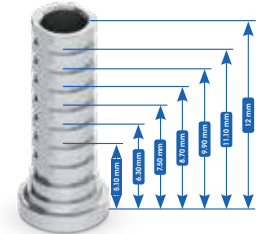
Prosthetic Screw

- Compatible with the manufacturer driver



Temporary Titanium Cylinder

- Non-engaging
- Use digitally with the OI library
- Customize to various heights (matching library files for each height)



Multi Unit Scan Body

Geometry engineered for accuracy & meshing of data

PEEK for scannability

Durable stainless steel body resists wear

3915

Laser etched product code for easy identification

Secured titanium screw will not detach in the lab or in a patient's mouth

Multi Unit Analog

Specially designed "O-ring" to snap the gingival tissue model into place

Debris groove ensures great fit in the digital model

Groove design provides stability

Save time and material - print a shorter model and cut the analog

Durable stainless steel

Implant Compatibility & OI Part #s

Astra Tech® Osseo Speed

Platforms	3.5/4.0	4.5/5.0
Titanium-Base Set (engaging)	GH 1.15, H 10 3721	GH 1.15, H 10 3722
Titanium-Base Set (non-engaging)	GH 1.15, H 10 3750	GH 0.8, H 10 3751
Screw	3769	3770
Analog	3614	3615
Scan Body	3664	3665

Key:

Titanium (Ti) Base Sets include a screw.
GH= Gingival Height (mm)
H= Chimney or Post Height (mm)

Libraries available at:
openimplants.com/downloads

Biomet® 3i Certain


Platform	3.4	4.1	5.0
Titanium-Base Set (engaging)	GH 0.8, H 10 3707	GH 0.5, H 10 3708	GH 0.5, H 10 3709
Titanium-Base Set (non-engaging)	GH 1.5, H 8 5813	GH 1.5, H 8 5814	
Screw	3763	3763	3763
Analog	3598	3599	3600
Scan Body	3652	3653	3653

Nobel Active®

Platform	3.5 NP	4.3/5.0 RP
Titanium-Base Set (engaging)	GH 0.8, H 10 3702	GH 0.5, H 10 3703
Titanium-Base Set (non-engaging)	GH 1.5, H 8 5815	GH 1.5, H 8 5817
Screw	GH 3.0, H 8 5816	GH 3.0, H 8 5818
Analog	GH 0.8, H 10 3731	GH 0.5, H 10 3732
Scan Body	3758	3759
	3593	3594
	3647	3648

Nobel Biocare® Multi-Unit Compatible

	Titanium Insert	Ti Temporary Cylinder	Scan Body	Analog	Prosthetic Screw
--	-----------------	-----------------------	-----------	--------	------------------

Multi-Unit Component	 \$30 3899	 \$30 4751	 \$39 3915	 ea \$12 5 for \$50 3895	 \$12 3894
----------------------	--------------------------------------------------------------------------------------------------	--------------------------------------------------------------------------------------------------	--------------------------------------------------------------------------------------------------	-------------------------------------------------------------------------------------------------------------------	--------------------------------------------------------------------------------------------------

Nobel® Replace

Platform	3.5 NP	4.3 RP	5.0 WP	6.0
Titanium-Base Set (engaging)	GH 0.8, H 10 3698	GH 0.5, H 10 3699	GH 0.5, H 10 3700	GH 0.5, H 10 3701
Titanium-Base Set (non-engaging)	GH 2.0, H 8 5819	GH 2.0, H 8 5820		
Screw	GH 0.8, H 10 3727	GH 0.5, H 10 3728	GH 0.5, H 10 3729	GH 0.5, H 10 3730
Analog	3756	3757	3757	3757
Scan Body	3589	3590	3591	3592
	3643	3644	3645	3646

Straumann® Bone Level

Platform	3.3 NC	4.1/4.8 RC
Titanium-Base Set (engaging)	GH 0.9, H 10 3713	GH 1.0, H 10 3714
Screw	GH 2.0, H 8 5821	GH 3.0, H 8 5823
Analog	GH 3.0, H 8 5822	
Scan Body	GH 0.8, H 10 3742	GH 0.8, H 10 3743
	3765	3765
	3604	3605
	3656	3657

Zimmer® Tapered Screw Vent

Platform	3.5	4.5	5.7
Titanium-Base Set (engaging)	GH 0.85, H10 3718	GH 0.25, H10 3719	GH 0.25, H10 3720
Screw	GH 1.5, H 8 5824	GH 1.5, H 8 5826	
Analog	GH 3.0, H 8 5825		
Scan Body	GH 0.8, H 10 3747	GH 0.25, H 10 3748	GH 0.25, H 10 3749
	3768	3768	3768
	3611	3612	3613
	3661	3662	3663

 Titanium Base Set \$40	 Scan Body \$39	 Analog ea \$12 5 for \$50	 Screw \$12
--------------------------------------------------------------------------------------------------------------	------------------------------------------------------------------------------------------------------	--------------------------------------------------------------------------------------------------------------------	--------------------------------------------------------------------------------------------------

Learn more at openimplants.com

Order online or call toll free: 1-888-800-8369

Open implants

Implant components, evolved.

By dental technicians.



Open Implants' founders, Fred Rapp, Bob Cohen and Rob Nazzal, came together through their dedication to help dental laboratories. Find out how products, **designed by technicians for technicians** can help your implant department improve workflow and reduce costs.

Call 1-888-800-8369
openimplants.com

MM_024_B3.3



Open Implants - 800 West Cummings Park, Ste 4900, Woburn, MA 01801