

**FLOOR PLAN**

**POST LEGEND**

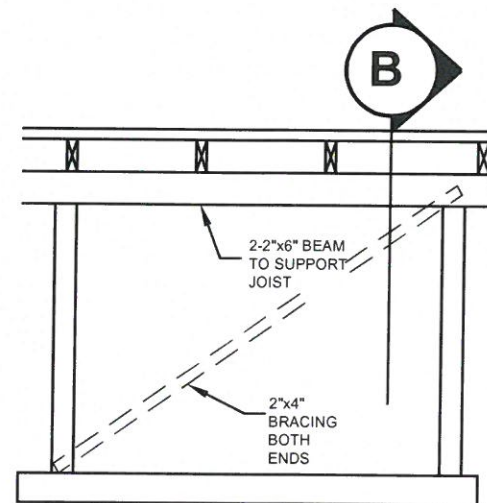
POST SIZE	MAXIMUM HEIGHT
2-2"x6"	9'-0"
3-2"x6"	12'-0"

**JOIST LEGEND**

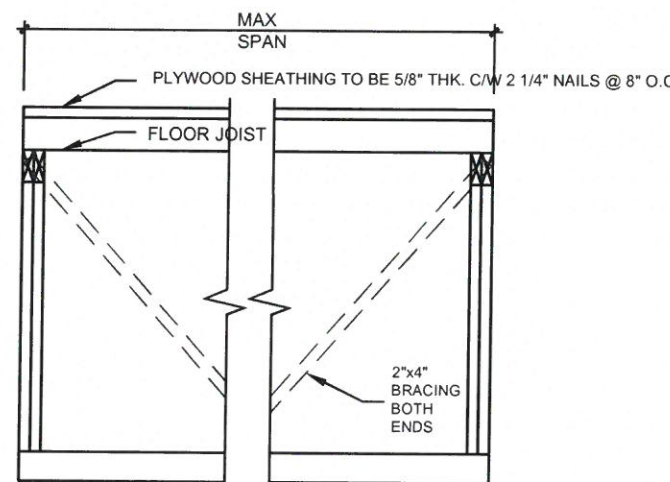
JOIST SIZE	CENTER TO CENTER SPACING	MAXIMUM SPAN
2"x6"	12"	9'-0"
2"x6"	16"	8'-0"

**GENERAL NOTES:**

- All work shall be in accordance with OSHA and Construction Regulations 213/91.
- The platform is designed for max. live load of 50 psf.
- Minimum grade of wood members to be of SPF No.1 / No.2 or better.
- The contractor shall be responsible of any temporary bracing during the construction of the platform.
- The floor supporting the platform must be constructed in accordance with the Architectural and Structural specifications and drawings as well as to comply with OBC part 9.
- The adequacy of the floor to be inspected by a competent person prior to construction of the platform.
- A competent person shall inspect the platform to ensure the specification of this drawing before commencing any work on the platform.
- The platform may be extended with the same specification as per site requirement.
- HITE Engineering Corporation must be notified of any deviation from this engineering drawing.



**SECTION-A**



**SECTION-B**



REV	DESCRIPTION	MM-DD-YY	CHK	APP
00	ISSUE FOR CLIENT REVIEW	10-06-16	R.B.	R.B.
REVISIONS				

THE INFORMATION CONTAINED HEREIN IS PROPRIETARY TO HITE ENGINEERING AND MAY NOT BE USED, REPRODUCED OR DISCLOSED TO OTHERS EXCEPT AS SPECIFICALLY PERMITTED IN WRITING BY HITE ENGINEERING. THE RECIPIENT OF THIS DOCUMENT, BY ITS RETENTION AND USE, AGREES TO PROTECT THE SAME AND THE INFORMATION CONTAINED THEREIN FROM LOSS OR THEFT.



**HITE Engineering Corp.**  
 Consulting Engineers  
 2660 Meadowvale Blvd. Unit 2-3  
 Mississauga, Ontario L5N 6M6  
 T:905-812-3709 F:905-812-3710

**RFCA**  
 TYPICAL WORKING PLATFORM  
 CONCORD, ONTARIO

DRAWN BY: A. SHAH	ENG'R APP'D: R. BALBAA
SCALE: N.T.S.	DATE: 10/06/2016
DRAWING NO: 1610671-00-2112	SHEET #: 1 of 1
	REV: 00