



Project: _____
 Location: _____
 Cat. #: _____
 Type: _____
 Quantity: _____

LED

HZL 4 LED Hazardous Location

Features:

- High performance LED technology
- 0-10V dimming drivers standard
- Class 1, Division 2 Hazardous Location rated
- Available with clear or frosted lens
- Suitable for ceiling or wall mounting

Applications:

- Suitable for most interior or exterior Class 1, Division 2 hazardous location applications
- Industrial
 - Manufacturing

Ambient Operating Temp:

- -25°C to 40°C

Predicted L70 Lifetime:

- > 100,000 hrs (calculated)
- > 60,000 hrs (reported)
(based on LM-80, TM-21 and in-situ laboratory testing)

Construction:

- Heavy-duty die cast aluminum housing and top frame
- 1/2" tapped coin plug openings for wiring entrance conduits
- Vandal resistant polycarbonate lens available in clear or frosted
- Powdercoat finish over a chromate conversion coating

Certifications:

- ETL listed for Hazardous Locations per UL844
- Class 1, Division 2, Groups A,B,C,D
- T4 Temperature Rating
- IP66

Warranty:

- 5 year limited system warranty - see www.LumenFocus.com for complete warranty terms and conditions



Ordering Guide:

example: HZL 4 MD UV CP 840-AB PT

Series	Length	Output	Voltage	Shielding	CRI/CCT	Mounting	Finish
HZL	4					-	PT
HZL	4	LW MD	UV 34 48	CP FP	840 850	Blank AB YK	PT

Length: 4 4'

Lumen Output: LW Low, MD Medium

Voltage: UV 120-277V, 34 347V, 48 480V

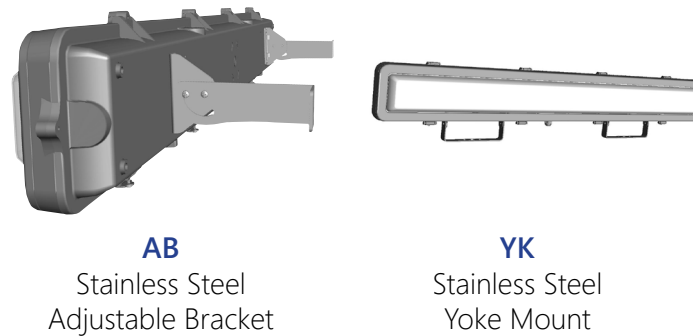
Shielding: CP Clear Polycarbonate, FP Frosted Polycarbonate

CRI/CCT: 840 80 CRI / 4000K, 850 80 CRI / 5000K

Mounting: Blank None - Surface Mount, AB Adjustable Bracket, YK Yoke Mount

Finish: PT Platinum

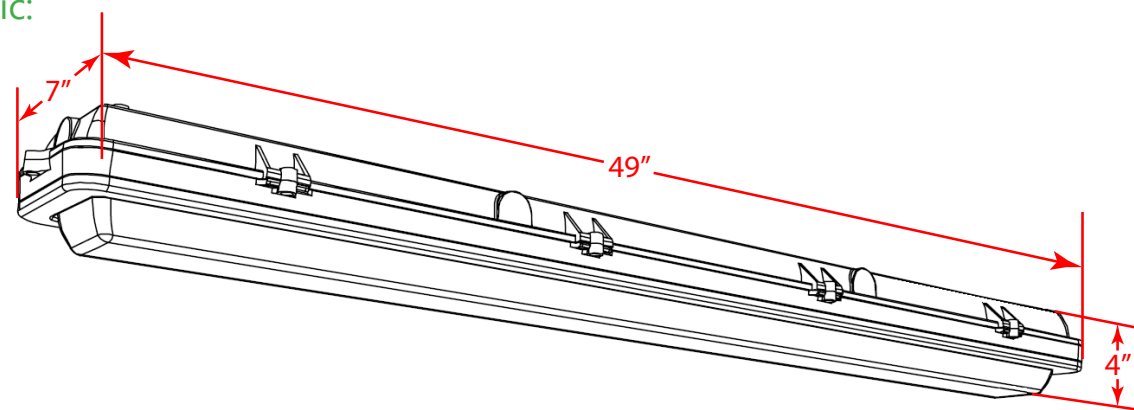
Mounting:



Performance Chart:

Catalog #	Watts	Lumens (840)	LPW (840)	Lumens (850)	LPW (850)
HZL 4 LW UV CP xxx	126	15636	122.7	16287	127.8
HZL 4 LW UV FP xxx	126	13172	105.3	13720	109.7
HZL 4 MD UV CP xxx	152	18982	124.9	19773	130.1
HZL 4 MD UV FP xxx	152	15930	105.4	16594	109.7

Schematic:



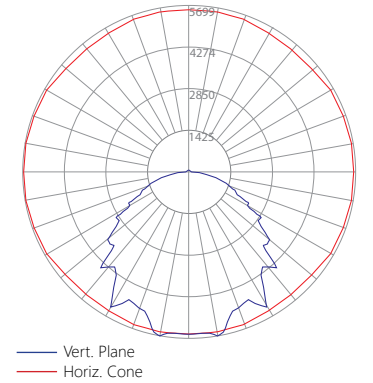
Photometric Data:

HZL 4 LW UV CP 850

Test No.: Q2016031103
 Luminaire Lumens: 16,287 lm
 Luminaire Watts: 127.4W
 Efficacy: 127.8 LPW
 Spacing Criterion (0-180): 1.32
 Spacing Criterion (90-270): 1.32

Luminance Data (cd/sq.m)

Angle In Degrees	Average 0-Deg	Average 45-Deg	Average 90-Deg
45	36130	31019	31000
55	35384	27939	26537
65	29151	20834	20627
75	29296	15340	11501
85	18121	5697	2225



Coefficients Of Utilization - Zonal Cavity Method

Effective Floor Cavity Reflectance 0.20

RC	80				70				50				30			
RW	70	50	30	10	70	50	30	10	50	30	10	50	30	10		
0	119	119	119	119	116	116	116	116	110	110	110	105	105	105		
1	108	104	99	96	106	101	97	94	97	94	91	93	90	88		
2	99	90	83	78	96	88	82	77	85	79	75	81	77	73		
3	90	79	71	65	87	78	70	64	74	68	63	71	66	61		
4	82	70	61	55	80	69	61	54	66	59	53	64	57	52		
5	76	63	54	47	73	61	53	47	59	52	46	57	50	45		
6	70	56	47	41	68	55	47	41	53	46	40	52	45	40		
7	65	51	42	36	63	50	42	36	48	41	36	47	40	35		
8	60	46	38	32	58	46	38	32	44	37	32	43	36	31		
9	56	43	34	29	55	42	34	29	41	34	28	40	33	28		
10	53	39	31	26	51	39	31	26	38	31	26	37	30	26		

Zonal Lumen Summary

Zone	Lumens	%Fixt
0-20	2036.45	12.50
0-30	4320.92	26.50
0-40	7140.93	43.80
0-60	12777.31	78.40
0-80	15757.79	96.70
0-90	16073.99	98.70
90-120	133.33	0.80
90-130	143.03	0.90
90-150	169.88	1.00
90-180	213.38	1.30
0-180	16287.37	100.00

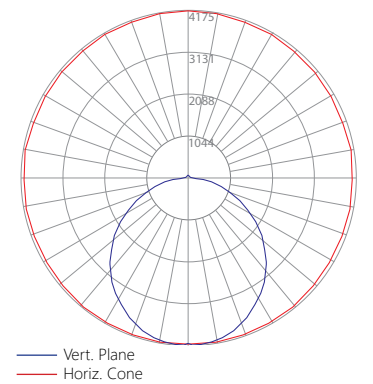
Tested in accordance with IES standards utilizing absolute photometry per LM-79-08

HZL 4 LW UV FP 850

Test No.: Q2016121401
 Luminaire Lumens: 13,720 lm
 Luminaire Watts: 125.1W
 Efficacy: 109.7 LPW
 Spacing Criterion (0-180): 1.28
 Spacing Criterion (90-270): 1.28

Luminance Data (cd/sq.m)

Angle In Degrees	Average 0-Deg	Average 45-Deg	Average 90-Deg
45	29413	22643	21421
55	29955	20852	18669
65	31123	18757	15309
75	34544	16110	10398
85	52190	12581	4053



Coefficients Of Utilization - Zonal Cavity Method

Effective Floor Cavity Reflectance 0.20

RC	80				70				50				30			
RW	70	50	30	10	70	50	30	10	50	30	10	50	30	10		
0	118	118	118	118	114	114	114	114	108	108	108	102	102	102		
1	106	100	96	91	102	97	93	89	92	88	85	87	84	81		
2	96	87	79	73	92	84	77	72	80	74	69	75	71	67		
3	87	76	67	60	84	74	66	59	70	63	57	66	60	55		
4	79	67	57	50	76	65	56	50	62	54	48	59	52	47		
5	73	59	50	43	70	58	49	43	55	47	42	52	46	41		
6	67	53	44	37	65	52	43	37	50	42	36	47	41	35		
7	62	48	39	33	60	47	39	33	45	37	32	43	36	31		
8	58	44	35	29	56	43	35	29	41	34	28	39	33	28		
9	54	40	32	26	52	39	31	26	38	31	26	36	30	25		
10	51	37	29	24	49	36	29	24	35	28	23	34	27	23		

Zonal Lumen Summary

Zone	Lumens	%Fixt
0-20	1497.10	10.90
0-30	3175.88	23.10
0-40	5212.94	38.00
0-60	9400.52	68.50
0-80	12256.67	89.30
0-90	12913.25	94.10
90-120	731.33	5.30
90-130	745.09	5.40
90-150	765.71	5.60
90-180	807.13	5.90
0-180	13720.38	100.00

Tested in accordance with IES standards utilizing absolute photometry per LM-79-08