



Filler, Lidder, Closer & Palletizer



Kinesys Automation introduces a flexible container processing line with modular plug and play features!

Kinesys Automations has modularized its filling, lid placing, lid closing and palletizing platforms to produce an integrated system with a single control system. Each sub-system communicates via Ethernet, resulting in plug and play modules that can be removed, enabled or disabled independently of one another.

Containers are automatically advanced through each station by a pneumatically actuated stainless steel reciprocating beam equipped with spring loaded fingers that capture the trailing edge of the pail to advance it by one station per index cycle. Pail guides are mounted with quick change rail brackets. Walking-beam assembly may be quickly and easily disassembled for cleaning and wash down. The container sits on top of a stainless steel scale platform, shrouding the digital scale.

Equipment is optionally supplied with an air purged control enclosure and intrinsic safety barriers to render the system appropriate for explosion proof applications (Class 1, Div. 2, Groups C, D).



Lid placer is mobile and can be removed or switched out for different style lids. Incorporates quick connect umbilical cables.

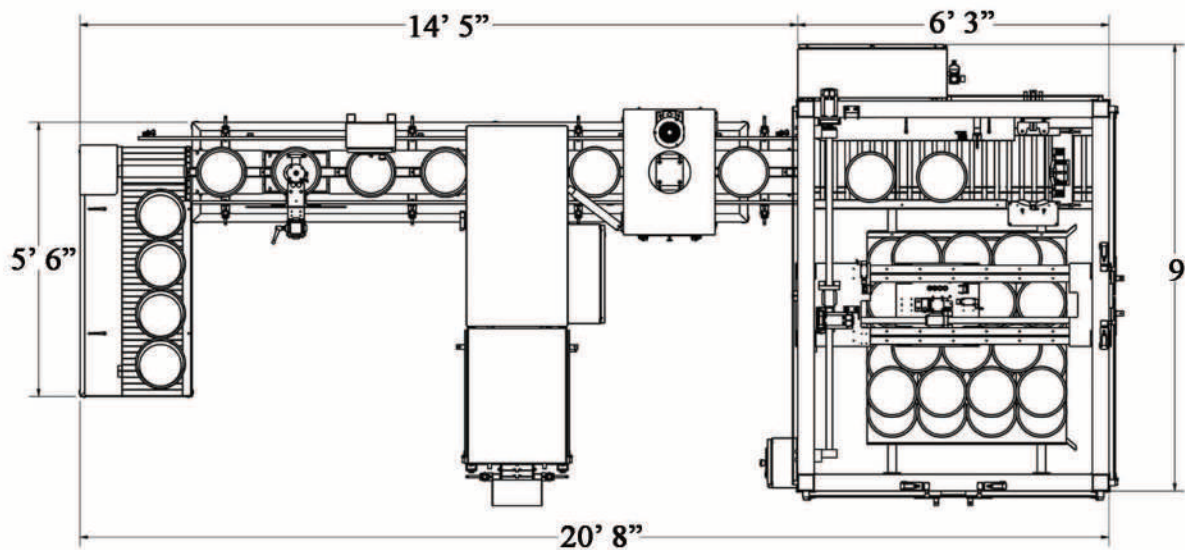
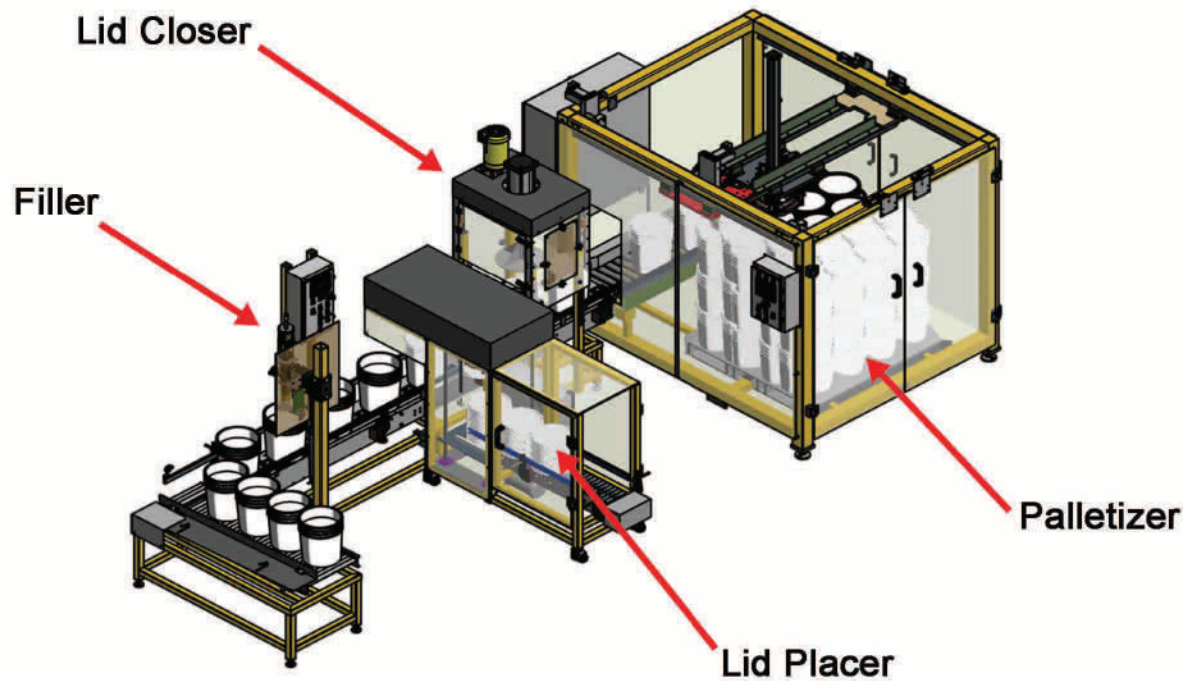
Lid closer is pneumatically actuated and can operate interchangeable crimp heads and pressure plates. Incorporates a quick disconnect release pin for efficient change-overs.

Fill valves are height adjustable to accommodate multiple container heights.

On a single platform, the system can process any product viscosity from water to peanut butter! With tool-less, interchangeable valves, the system's on board controls retrieve pre-programmed recipes for each dedicated process.



- Compact footprint - 180 ft².
- Self contained work cell from FILLING to PALLETIZING.
- Filling versatility with modes for top filling, subsurface filling, and bottom-up filling.
- Interchangeable fill valves, lid placer, closing heads and pick-up heads.
- Container versatility - Plastic and metal pails, gallon thru quarter barrels.



When having difficulties in your assembly or manufacturing process, contact Kinesys Automation for more information about a field proven solution.



Kinesys Automation, Inc.

5 Fir Court, Unit 3

Oakland, New Jersey 07436

Phone: (201) 337-5000 Fax: (201) 337-5200

sales@KinesysAutomation.com

www.KinesysAutomation.com