



Fully Automated Case Palletizer



Kinesys Automation expands its line of palletizers to include a fully automated, compact case palletizer!

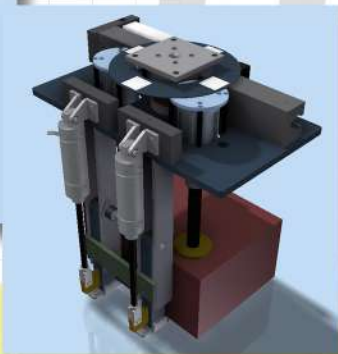
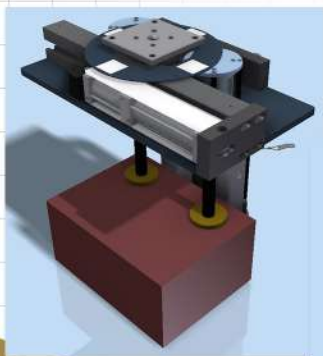
In keeping with its core values to develop the most compact, versatile, flexible and modular line of palletizers, Kinesys Automation introduces a fully automated palletizing line featuring a mechanical case pick-up head.



Including a pallet dispenser and pallet conveyors, the system is available as fully automated with empty pallets entering from one side, while completed pallets exit from another side.

Available in 4 different styles, the system can accommodate more than 180 permutations of possible layouts.

Palletizer is a gantry style, Cartesian robotic systems that employs two high-resolution servo motors for xy location with a pneumatic lift cylinder for the z-axis, or three high-resolution servo motors for all three axes. A fourth rotational axis on the pick-up head is available in servo or pneumatic, depending on the application.

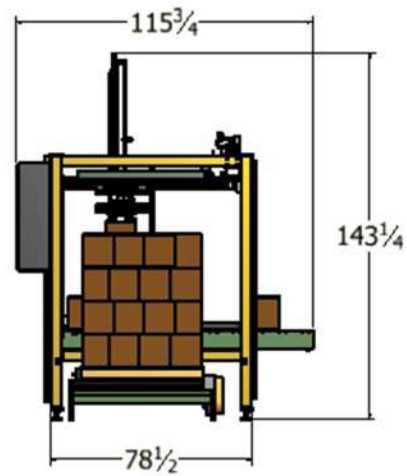
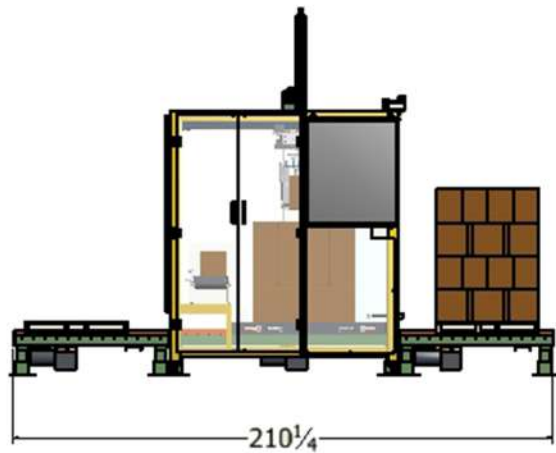
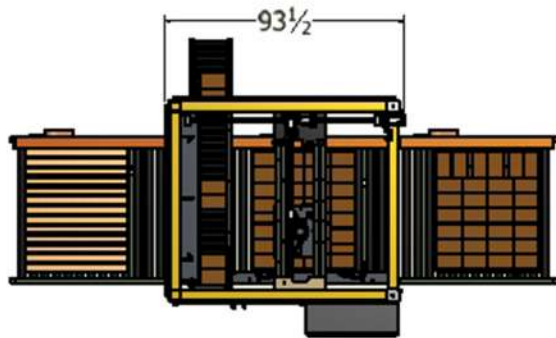


System features a uniquely designed, servo driven or pneumatic, mechanical gripper style case pick-up head. In the event of power loss or an emergency stop, the pick-up head maintains firm control of the case thus preventing instances of dropped product.



Common options:

- Fully automatic or semi automatic.
- High throughput or low throughput.
- 4-axis, 3-axis or 2-axis servo motion.
- Available as a explosion proof,



When having difficulties in your assembly or manufacturing process, contact Kinesys Automation for more information about a field proven solution.



Kinesys Automation, Inc.

5 Fir Court, Unit 3

Oakland, New Jersey 07436

Phone: (201) 337-5000 Fax: (201) 337-5200

sales@KinesysAutomation.com

www.KinesysAutomation.com