

Item #	Part #	Description
1	-	Existing Railing
2	LSG-XX-XXX	Assembled Ladder Gate of Any Standard Size or Finish
3	LSG-LP-2204-GAL LSG-LP-2204-PCY LSG-LP-2204-SST	LSG-LgPipe Adapt Kit-GAL or LSG-LgPipe Adapt Kit-PCY or LSG-LgPipe Adapt Kit-SST

LSG-LP-2204-GAL and LSG-LP-2204-PCY

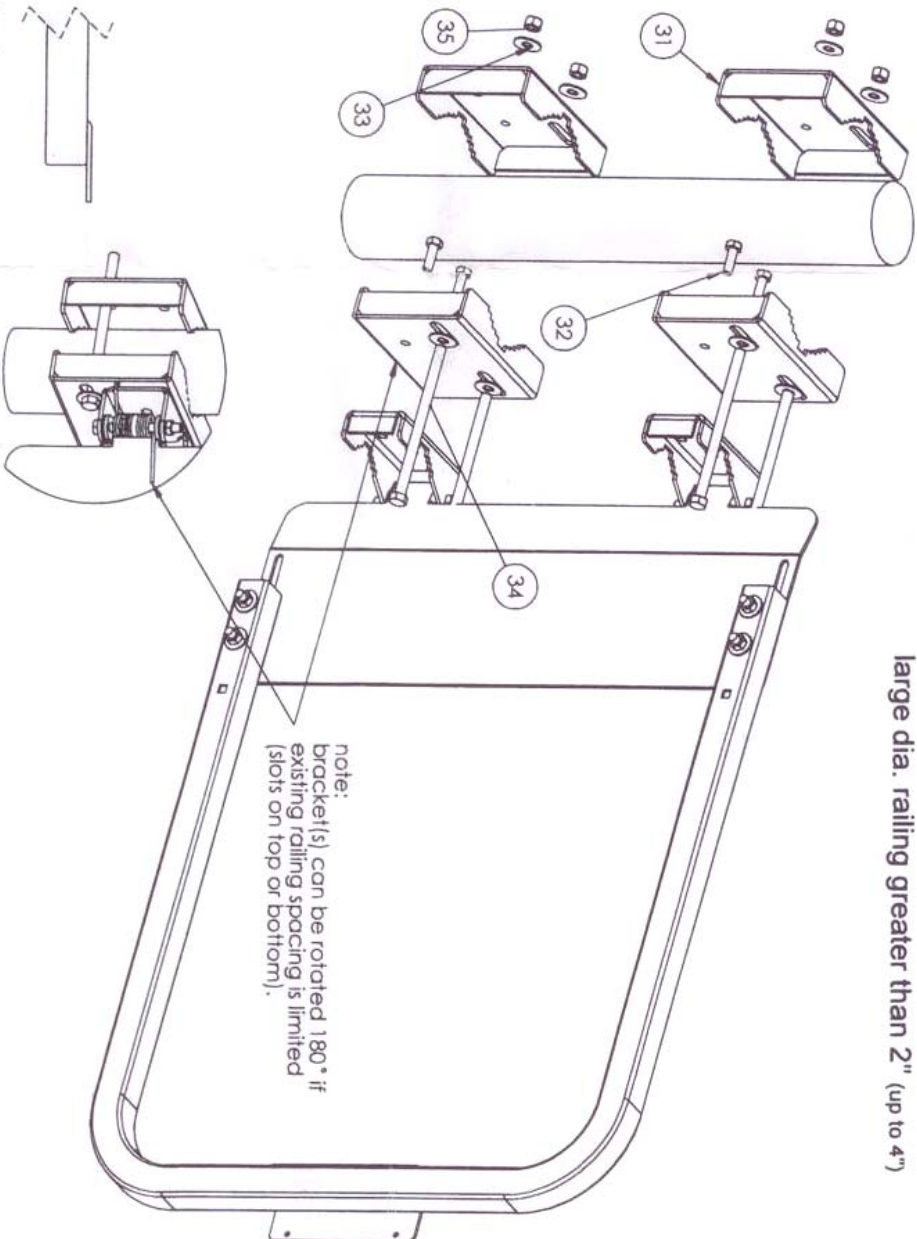
The LSG-Rail Adapt Clamp is the only part different between the GAL and PCY Kit

Item #	Part #	DESCRIPTION	QTY.
31	501001 501003	LSG: Rail Adapt Clamp-GAL or LSG: Rail Adapt Clamp-PCY	4
32	500422	Bolt:Hex5/16"18X1G:5Zn	4
33	501947	Washer: Flat 3/8"Zn	8
34	500456	Bolt:Tap3/8"16X6G:5Zn	4
35	501120	Nut:Nylock 3/8"16 Zn	4

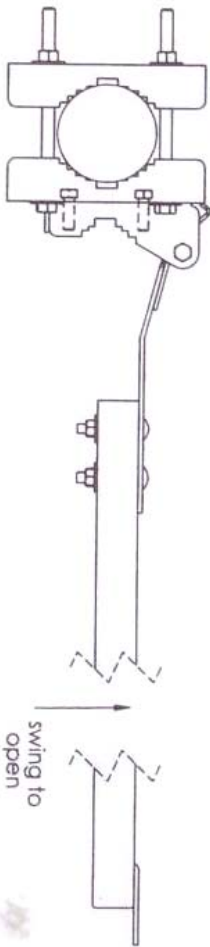
LSG-LP-2204-SST

31	502127	LSG: Rail Adapt Clamp-SST	4
32	501088	Nut:Flange 5/16"18 SS	4
33	500423	Bolt:Hex5/16"18X1SS	4
34	501945	Washer: Flat 3/8"SS	8
35	502152	Bolt:Tap3/8"16x6SS	4
36	501121	Nut:Nylock 3/8"16 SS	4

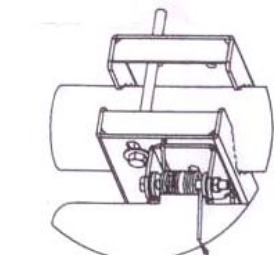
large dia. railing greater than 2" (up to 4")



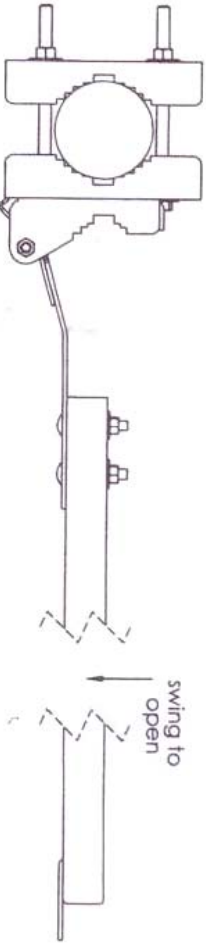
note:
bracket(s) can be rotated 180° if existing railing spacing is limited (slots on top or bottom).



configuration 1



configuration 2



Step 1
Fasten (1) one of the adapter brackets (all 4 are the same) to the railing bracket of the ladder safety gate with (2) two 5/16"18x1" hex bolts and flange nuts.

Step 2
Position the remainder bracket so the 3/8" slots are aligned and insert the 3/8"x6" tap bolt(s). Make sure to slide the top bolts up tight to the railing in which you are mounting to.

PART NAME: LSG-LgPipe Adapt Kit-XXX

PART #: LSG-LP-2204-XXX

This drawing is loaned with the expressed agreement that the drawing and information therein contained are the property of Production Specialist Corporation and will not be reproduced or copied in whole or in part not used for the fabrication or construction of any part without the written permission of Production Specialist Corporation. Permission to reproduce this drawing for personal use only is granted specific as to use. The acceptance of the drawing will be construed as the acceptance of the foregoing agreement.

VENDOR:	DATE:	SHEET #:	1 OF 1
VENDOR PART #:	DWG BY: gsd/trom6/12/2007	DWG #:	
MATERIAL:	CHECKED:	DATE:	6/12/2007
	SCALE:	NTS	REV:

PS DOORS
Safety Gate Shop
Toronto, Canada
www.safetygateshop.com
sales@safetygateshop.com