

Item #	Part #	Description
1	-	Existing Railing
2	LSG-XX-XXX	Assembled Ladder Gate of Any Standard Size or Finish
3	LSG-AC-2206-GAL LSG-AC-2206-PCY LSG-AC-2206-SST	LSG-Angle Adapt Kit-GAL or LSG-Angle Adapt Kit-PCY or LSG-Angle Adapt Kit-SST

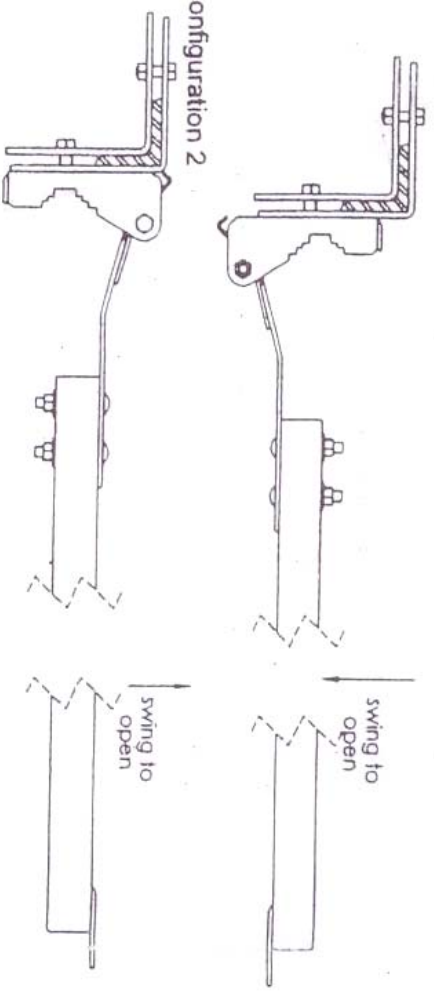
LSG-AC-2206-GAL and LSG-AC-2206-PCY  
The LSG-Angle Clamp Front and Back are the only parts different between the GAL and PCY kit

Item #	Part #	Description
31	500927	LSG: Angle Clamp Back-SST
32	500931	LSG: Angle Clamp Front-SST
33	502153	Screw: FSIslotMach3/8"1.6x1 SST
34	501086	Nut: Flange 3/8"1.6 SS
35	500419	Bolt: Hex 5/16"1.8x1 1/2 SS
36*	500394	Bolt: Hex 3/8"1.6x1 1/2 SS
37	501121	Nut: Nylock 5/16"1.8 SS
38*	501119	Nut: Nylock 3/8"1.6 SS

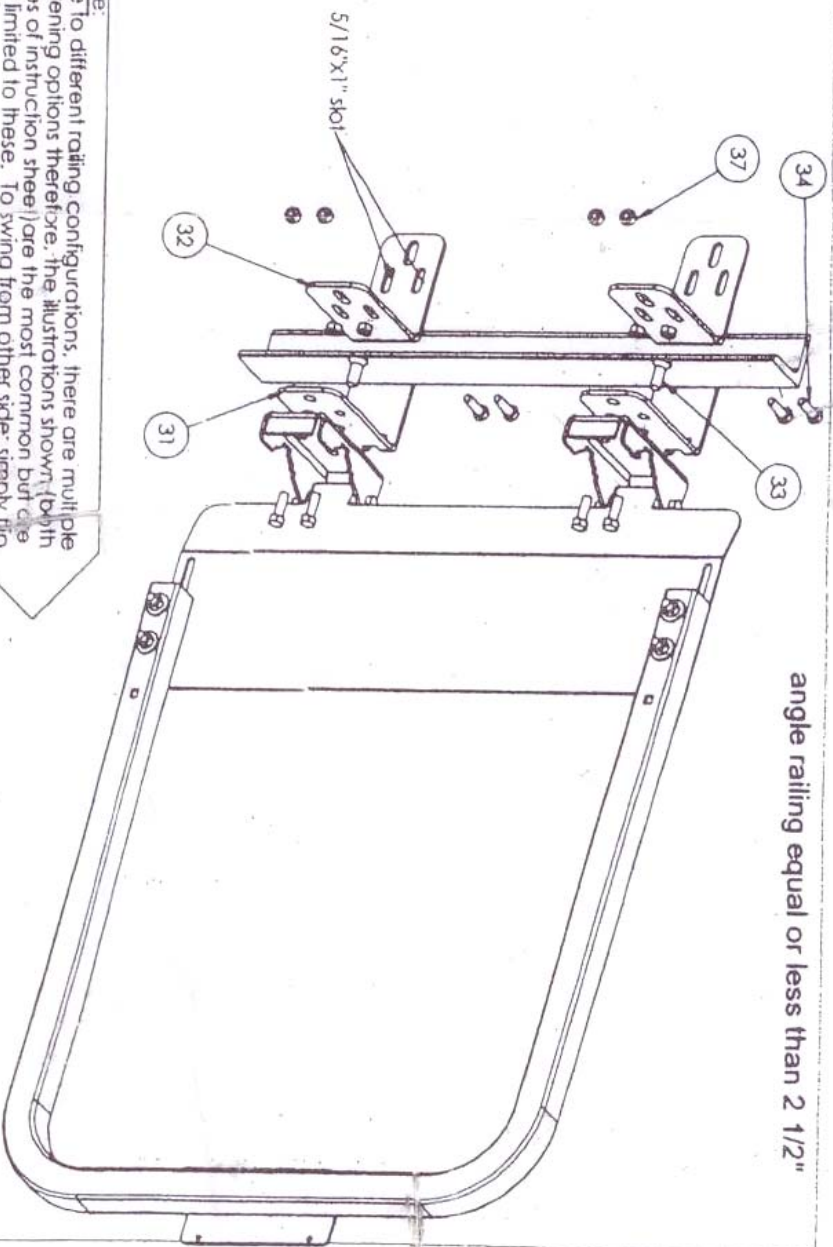
\*These items are used for angles greater than 2 1/2"; they replace the 5/16" nut and bolt.  
LSG-AC-2206-SST

Item #	Part #	Description
31	500927	LSG: Angle Clamp Back-SST
32	500931	LSG: Angle Clamp Front-SST
33	502153	Screw: FSIslotMach3/8"1.6x1 SST
34	501086	Nut: Flange 3/8"1.6 SS
35	500419	Bolt: Hex 5/16"1.8x1 1/2 SS
36*	500394	Bolt: Hex 3/8"1.6x1 1/2 SS
37	501121	Nut: Nylock 5/16"1.8 SS
38*	501119	Nut: Nylock 3/8"1.6 SS

configuration 1



Note: Due to different railing configurations, there are multiple fastening options therefore, the illustrations show (both sides of instruction sheet) are the most common but are not limited to these. To swing from other side, simply flip 180°



**Step 1:**  
Determine which configuration is applicable. Then fasten the outside plates to each of the railing brackets of the ladder safety gate with the 3/8"x1" flat head bolt and flange nut.

note: The square hole in the angle is for the extension of the spring (if applicable)

**Step 2:**  
Determine the size of the existing angle railing the ladder safety gate is to be mounted to. If the angle is larger than 2 1/2", please turn the instruction sheet over and follow those instructions. If the angle is less than or equal to 2 1/2", use the (4) 5/16" holes in each angle and fasten with the 5/16"x1 1/2" hex bolts and nuts

PART NAME: LSG-Angle Adapt Kit-XXX

PART #: LSG-AC-2206-XXX

The drawing is bound with the expressed agreement that the drawing and information therein contained are the property of Production Specialists Corporation and shall not be used for the fabrication, repair or modification of any equipment without the written permission of Production Specialists Corporation (as published and specific as to use). The acceptance of this drawing will be construed as the acceptance of the foregoing agreement.

VENDOR:	DATE:	SHEET #:	1 OF 2
VENDOR PART #:	DWG BY: gschfpm/6/12/2007	DWG #:	
MATERIAL:	CHECKED:	DATE:	6/12/2007
SCALE:	NIS	REV:	