

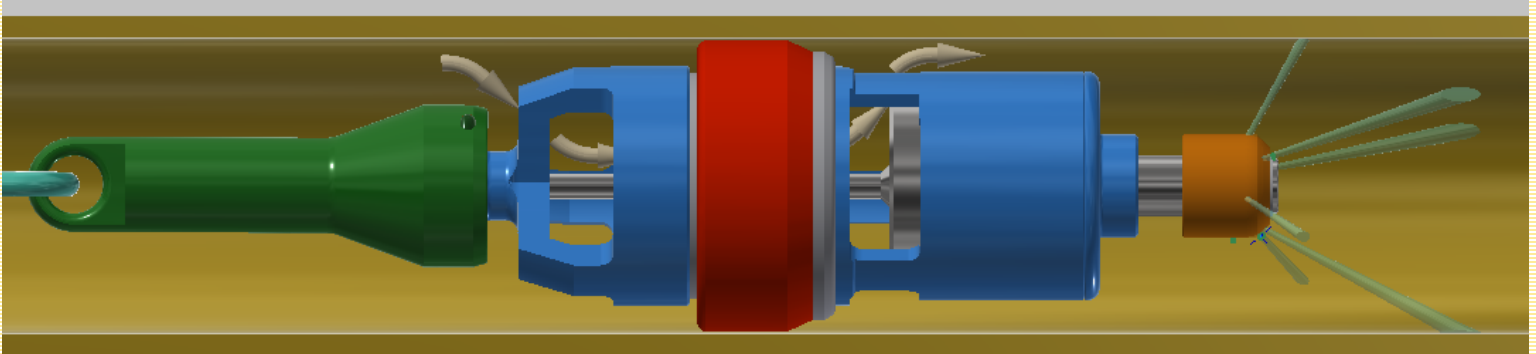


**SUBSEA  
SYSTEMS**

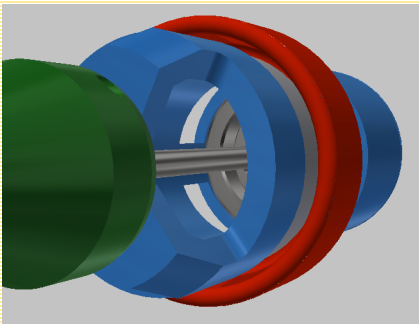
DIV. BAUGH CONSULTING ENGINEERS, INC.

**WIRE ROPE PIG  
WRP-3**

**PIPELINE CLEANING WHILE PRODUCTION IS FLOWING!  
COMPLETE CLEANING OPERATIONS CAN BE CONDUCTED WITHOUT  
STOPPING THE PIPELINE FLOW!**



**LAUNCHES INTO FULL PRODUCTION FLOW  
USES A MULTI-JET SPINNER TO CLEAN THE PIPELINE  
CLEANS BY JETTING USING PRODUCTION FLOW  
LARGE INTERNAL BYPASS AND WITH PRESSURE CONTROLLED VALVE  
PROVIDES A STANDARD PRESSURE DROP (E.G. 100-200 P.S.I.)  
PULLED BACK TO ENTRY POINT WITH SAME PRESSURE DROP  
RECLEANS PIPELINE ON RETURN TRIP  
CAN DEPLOY PIPELINE INSPECTION TOOLS**



**INTERNAL FLOW PASSAGES ARE SO  
LARGE YOU CAN SEE THROUGH THE  
PIG IN THE FULL OPEN MODE**

Beta Subsea Systems offers a combination of patent licensing, engineering, manufacturing capabilities, and products to assist you grow your business.

Primary Contacts: Benton F. Baugh, Ph.D., P.E., 713-419-8683, [bbaugh@betasubsea.com](mailto:bbaugh@betasubsea.com)  
James R. Crawford, 337-344-0289, [jimbob@crawfordtechnicalserv.com](mailto:jimbob@crawfordtechnicalserv.com)

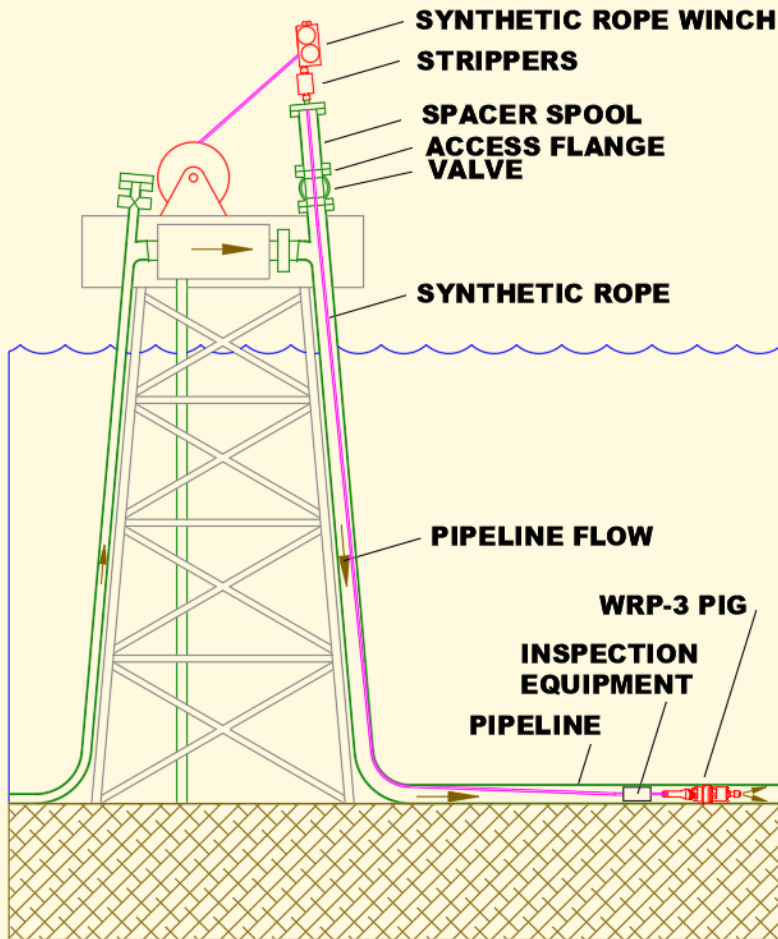
PATENT PENDING



# SUBSEA SYSTEMS

DIV. BAUGH CONSULTING ENGINEERS, INC.

# WIRE ROPE PIG WRP-3

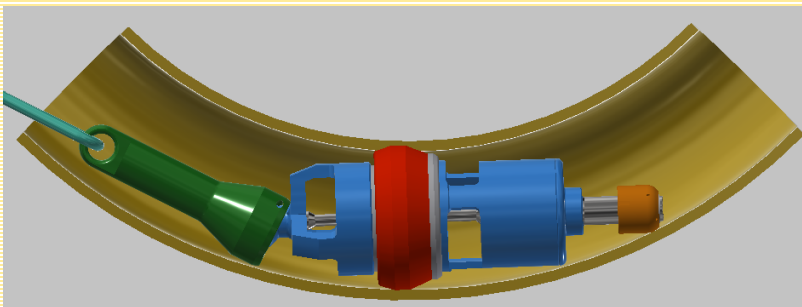


**SHOWS A SYNTHETIC ROPE WINCH AND SPACER SPOOL LANDED ON A PIPELINE ACCESS FLANGE WITH A WRP-2 PIG AND CONDUCTING A PIPELINE CLEANING USING PRODUCTION FLOW.**

**NOTE THE PIG IS PULLING INSPECTION EQUIPMENT AS IT IS CLEANING.**

**AFTER THE PIG REACHES THE END OF THE CLEANING, IT IS SIMPLY PULLED BACK TO THE STARTING POINT, AND IT RECLEANS THE PIPE ON THE RETURN TRIP.**

**WHEN DESIRED, PUMPING CAN SUBSTITUTE FOR PRODUCTION FLOW.**



**THE WRP-3 PIG WILL PASS A 3D PIPE BEND WHILE IN THE FULL CLEANING MODE**

Beta Subsea Systems offers a combination of patent licensing, engineering, manufacturing capabilities, and products to assist you grow your business.

Primary Contacts: Benton F. Baugh, Ph.D., P.E., 713-419-8683, [bbaugh@betasubsea.com](mailto:bbaugh@betasubsea.com)  
James R. Crawford, 337-344-0289, [jimbo@crawfordtechnicalserv.com](mailto:jimbo@crawfordtechnicalserv.com)

PATENT PENDING