

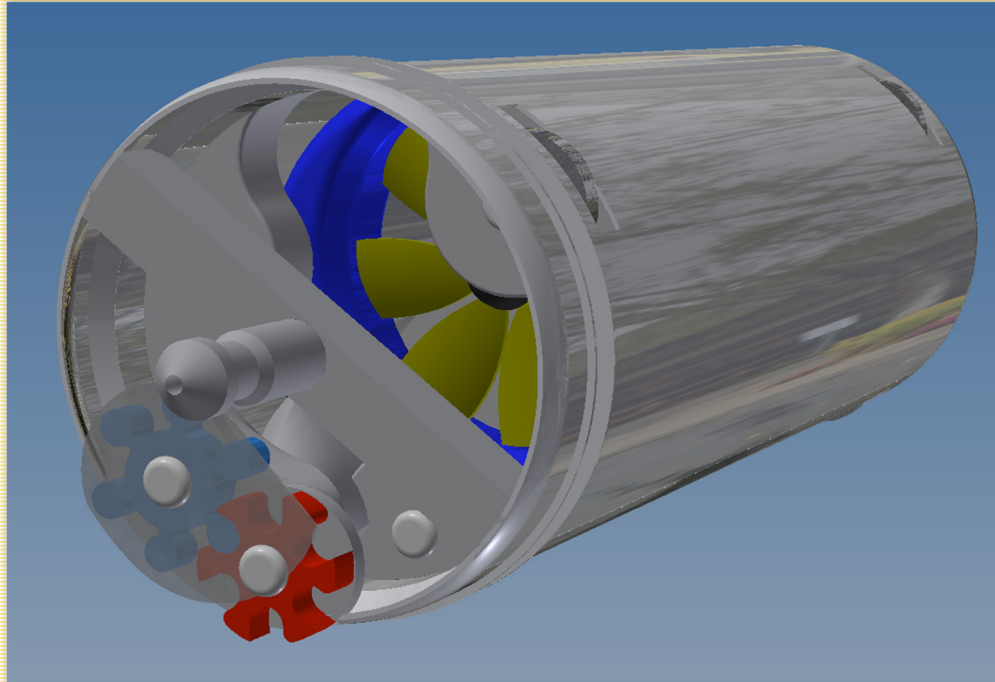


**SUBSEA
SYSTEMS**

DIV. BAUGH CONSULTING ENGINEERS, INC.

FERAL PIG

BFP-1



**FREE RUNNING IN
YOUR PIPELINE**

**IMPELLER TAKES
POWER FROM PIPE-
LINE FLOW**

**SPIRALS FORWARDS
AND BACKWARDS IN
YOUR PIPELINE**

**CLEANS MECHANI-
CALLY, BY JETTING,
AND/OR BY HEATING**

**FORMS CUTTINGS IN-
TO BALLS AND RE-
LEASES THEM INTO
THE FLOW**

WILL PASS 5D BENDS

**THE BETA SUBSEA SYSTEMS FERAL PIG IS DESIGNED FOR
CLEANING FLOWING PIPELINES WHICH:**

ARE TOO LONG FOR COILED TUBING TO REACH

NEED TO BE CLEANED WITHOUT STOPPING THE FLOW

**NEED TO BE CONTINUALLY CLEANED BETWEEN TWO TRIP POINTS
WITHOUT OPERATOR ACTIONS REQUIRED**

Beta Subsea Systems offers a combination of patent licensing, engineering, manufacturing capabilities, and products to assist you grow your business.

Primary Contacts: Benton F. Baugh, Ph.D., P.E., 713-419-8683, bbaugh@baughengrs.com
James R. Crawford, 337-344-0289, jimbob@crawfordtechnicalserv.com

PAT. PENDING

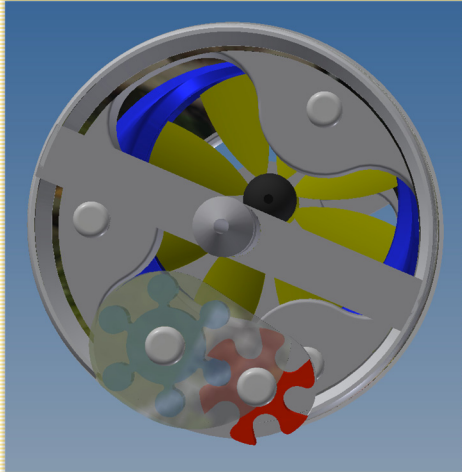


SUBSEA SYSTEMS

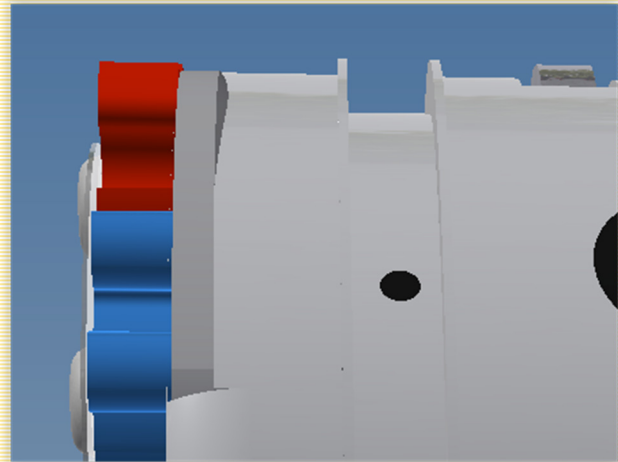
DIV. BAUGH CONSULTING ENGINEERS, INC.

FERAL PIG

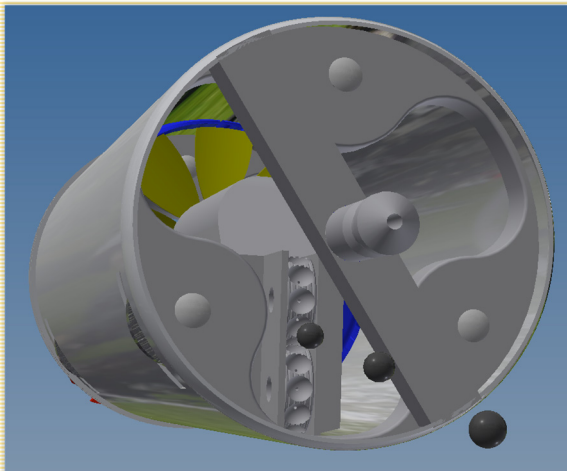
BFP-1



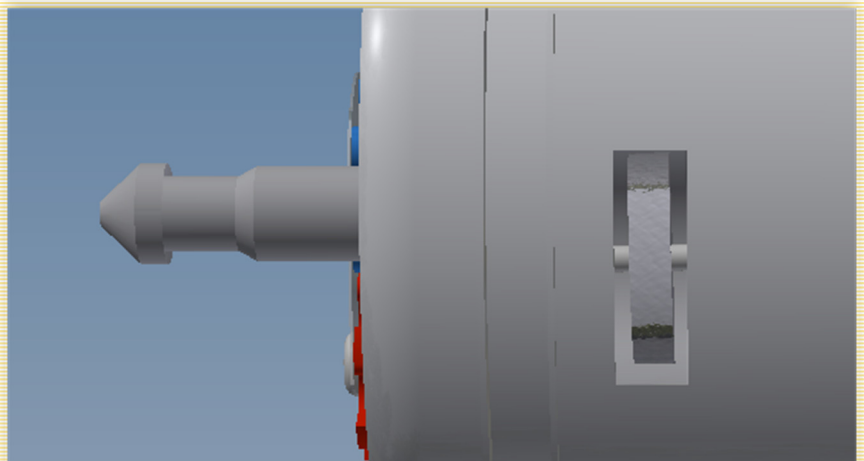
TUNGSTEN CARBIDE CUTTER REMOVES WAX AND THEN COMPRESSOR WHEEL PUSHES IT INTO INTERNAL TUBE



GROOVE IS PROVIDED JETTING AND FOR HEATED FLUID TO BE CIRCULATED TO MELT RESIDUAL WAX FROM THE PIPELINE WALL



INTERNAL "BALLER" FORMS THE WAX INTO BALLS FOR RELEASE, AS THE LEAST LIKELY FORM TO RE-STICK TO A WALL



BETA LATCH PROFILE ON BOTH ENDS FOR RECOVERY

SPRING LOADED DRIVE WHEELS ARE SLIGHTLY ANGLED TO DRIVE PIG ON A SPIRALING PATH

Beta Subsea Systems offers a combination of patent licensing, engineering, manufacturing capabilities, and products to assist you grow your business.

Primary Contacts: Benton F. Baugh, Ph.D., P.E., 713-419-8683, bbaugh@baughengrs.com
James R. Crawford, 337-344-0289, jimbo@crawfordtechnicalserv.com

PAT. PENDING