

# QT-553-BCS

—one tap, five functions

quatreau®  
Touch



BOILING



CHILLED



SPARKLING



HOT & COLD



Model shown above QT-553  
in polished stainless steel

MADE  
IN GREAT  
BRITAIN

riba  
product  
selector

n55Plus

# QT-553-BCS

—one tap, five functions

---

## SPECIAL FEATURES

- Delivers high volumes of boiling, sparkling and chilled water, plus hand hot and hand cold
- Fits into a standard 24" cabinet
- Ventilation duct included for kick space installation
- Low energy consumption
- Highest performing insulation
- Most robust and reliable system available
- Dispenses 8 gallons piping hot (204-206°F) water per hour
- Up to 15 mugs in one draw with no temperature drop & just 5-8 minutes recovery time
- Delivers 5.3 gallons of chilled/sparkling water per hour at 40-45°F
- Easy to use touch panel control with built-in safety feature
- Tall spout for filling of vessels and bottles
- 316 SS construction for optimum corrosion resistance
- Controlled water flow
- Manufactured in the UK
- Leak detection as standard



# QT-553-BCS

—one tap, five functions

**QT-553-BCS** in polished stainless steel



**QT-553-BCS** in brushed stainless steel



## PRODUCT DISPENSE



**BOILING**



**CHILLED**



**SPARKLING**



**HOT & COLD**

## EQUIPMENT DIMENSIONS

- System is installed in component form
- Standard cabinet (24" x 24" x 34.5")
- Individual components dimensions as on drawing page

## SITE PREPARATION DETAILS

- Hot and cold water supply terminating in shut off valve ready for mixing valve connection
- 2 dedicated 15amp 115V circuits
- Maximum water pressure 60 psi
- Minimum water pressure 45 psi
- Minimum water flow 26.5 gallons per hour
- Air gap connection\* connected to Venturi

## LOCATION OF SERVICES

- All services to be located to the rear 4" of system location
- Power to be located high in rear of cabinet
- Water to be located at low level

## NOTES:

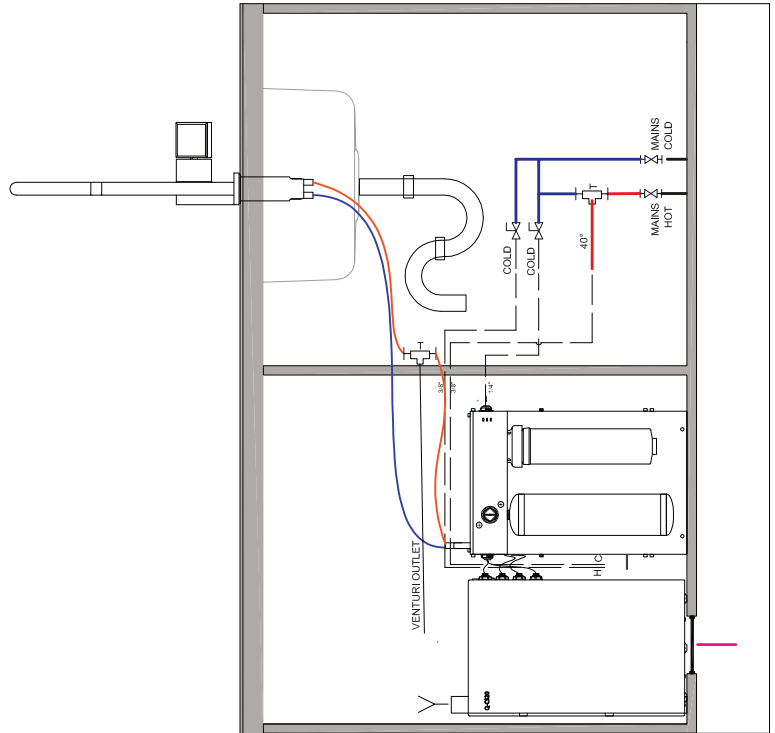
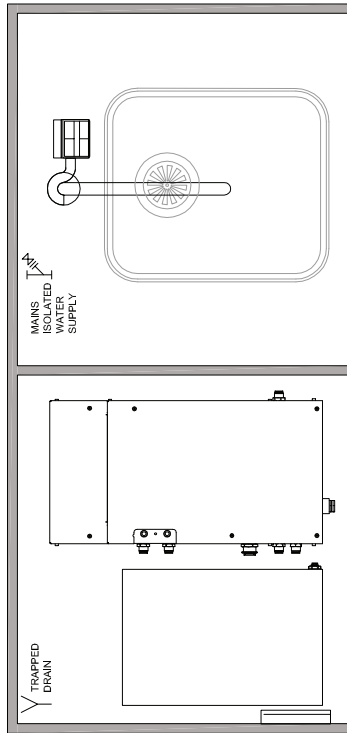
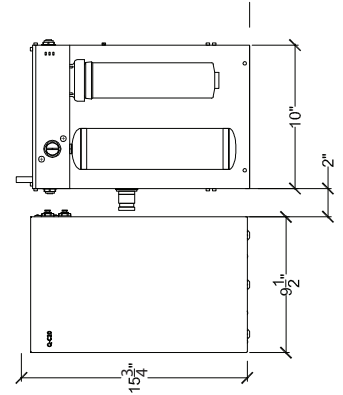
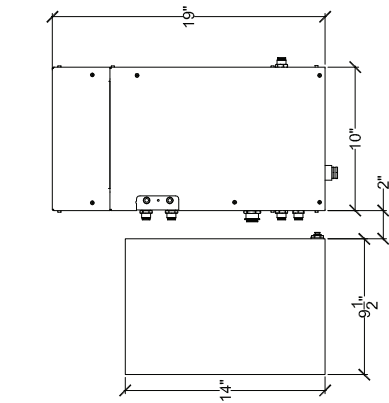
\* supplied with equipment

# QT-553-BCS

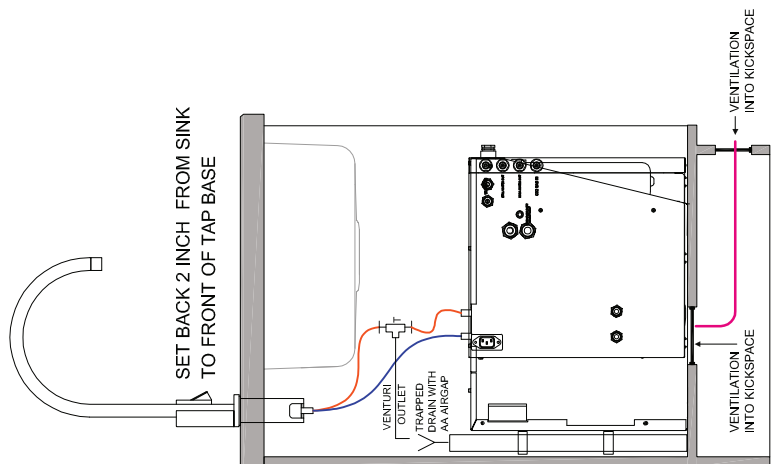
—one tap, five functions



## TYPICAL INSTALL DIAGRAM



POWER SUPPLY  
DOUBLE SOCKET

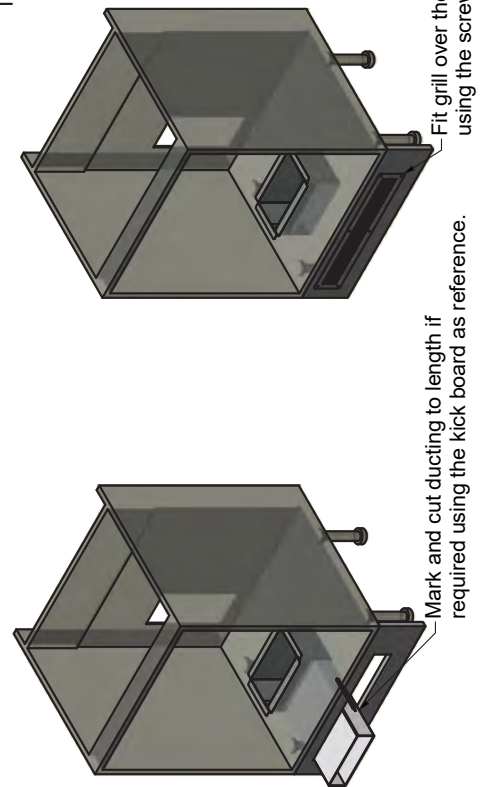
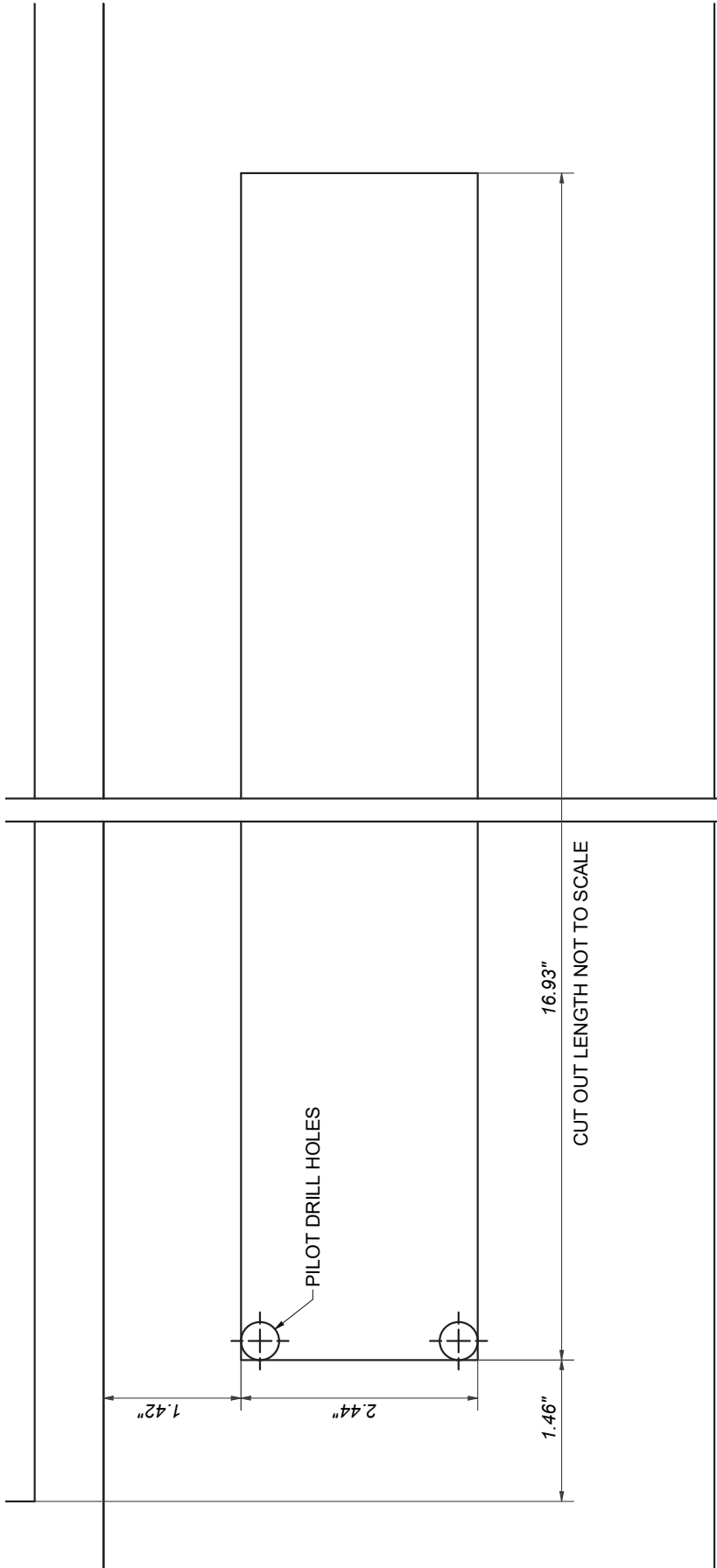


# QT-553-BCS

—one tap, five functions



## VENTILATION DRAWINGS - Kick Board Cutting Template - sample only



**IMPORTANT:** Before making any cuts into the cupboard or kick board, ensure the area to be cut is free from water pipes or electrical cables. There is a risk of serious injury or death if electrical cables are cut, and significant damage to property if a water pipe is cut.

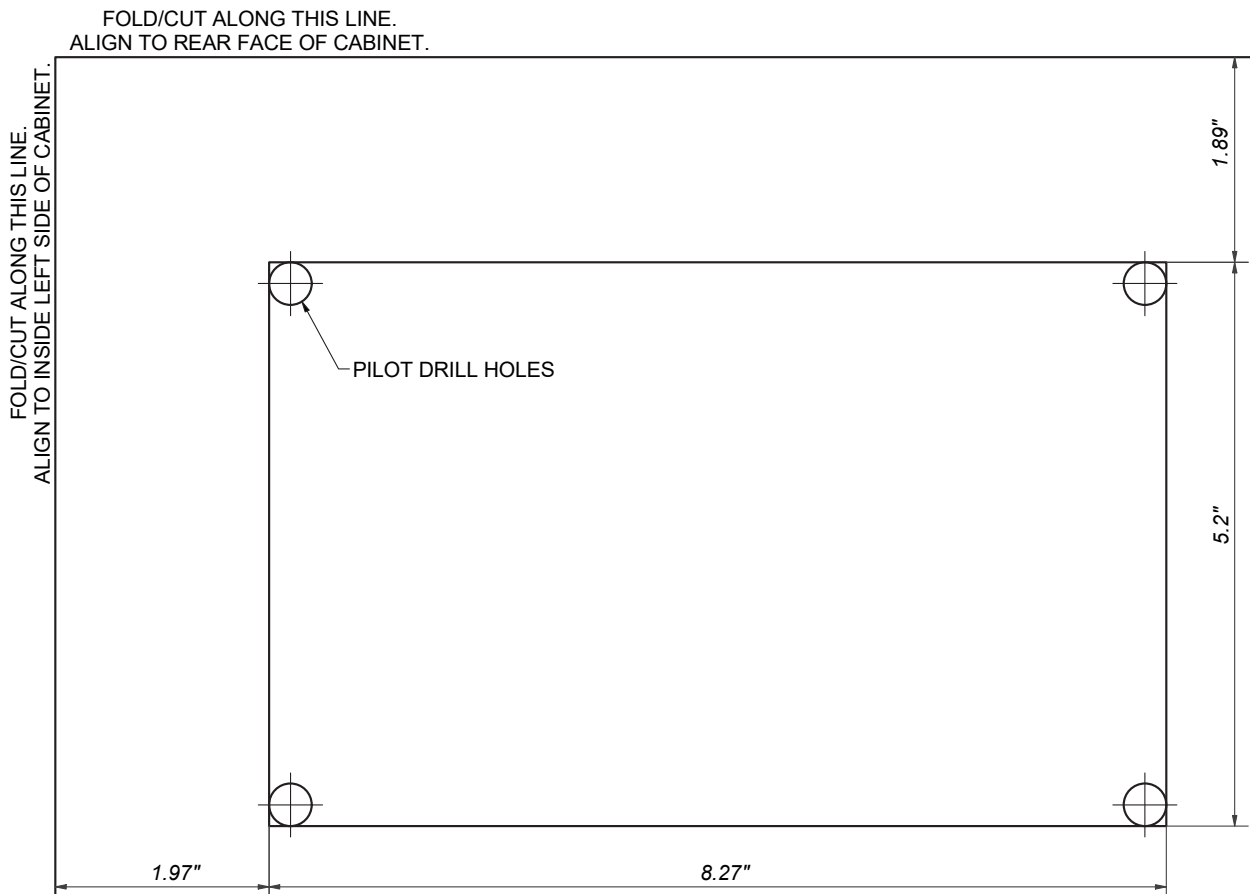
Use for: Q-C20, Q-CS20

3B7698-01 KICK-BOARD CUTTING TEMPLATE.

# QT-553-BCS

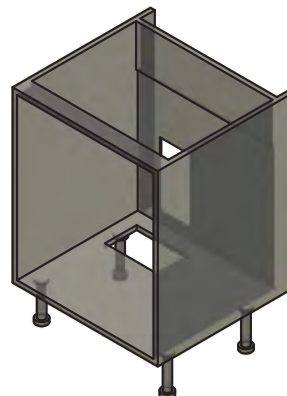
—one tap, five functions

## VENTILATION DRAWINGS - Base Cutting Template - sample only



**IMPORTANT:** Before making any cuts into the cupboard or kick board, ensure the area to be cut is free from water pipes or electrical cables. There is a risk of serious injury or death if electrical cables are cut, and significant damage to property if a water pipe is cut.

Use for: Q-C20, Q-CS20





# QT-553-BCS

—one tap, five functions

---

## EXISTING INSTALLATIONS

We have clients enjoying our Quatreau Touch and SmartTaps (dispensing a variety of water types) in all of these buildings as well as in other commercial offices and prestigious homes across the globe.



WORLD TRADE CENTER - New York

---

One World Trade Center is the main building of the rebuilt World Trade Center complex in Lower Manhattan, New York City. One WTC is the tallest building in the United States, the tallest building in the Western Hemisphere, and the sixth-tallest in the world.



THE SHARD  
London

---

The Shard, also infrequently referred to as the Shard of Glass, Shard London Bridge and formerly London Bridge Tower, is a 95-story supertall skyscraper, designed by the Italian architect Renzo Piano, in Southwark, London, that forms part of the Shard Quarter development.



THE SCALPEL  
London

---

The Scalpel is a commercial skyscraper in London, United Kingdom. It is located on Lime Street in the City of London financial area.



SALESFORCE TOWER - London

---

110 Bishopsgate (formerly Heron Tower now known as Salesforce Tower) is a commercial skyscraper in London. It stands 230 metres (755 ft) tall including its 28-metre (92 ft) mast making it the tallest building in the City of London financial district.