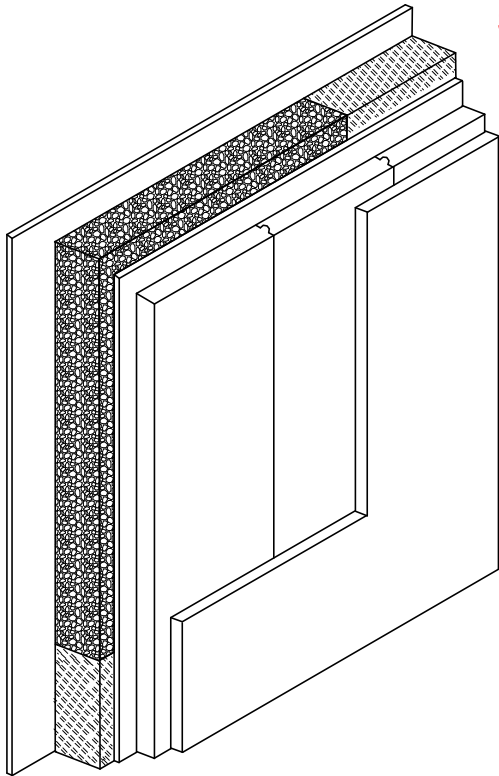




SOUTHPORT COLLECTION

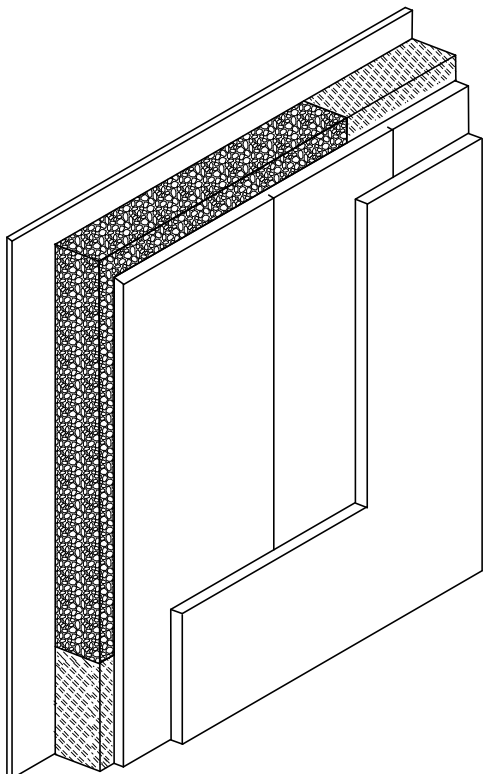
STAIN GRADE CONSTRUCTION DETAIL





- 1/4" HARDWOOD PLYWOOD BACKER PANEL
- 1-1/4" POLYSTYRENE INSULATION 
- 1-1/4" ENGINEERED WOOD CORE 
- 1/4" HARDWOOD PLYWOOD
- 3/4" CLEAR SPANISH CEDAR TONGUE & GROOVE
- 9/16" CLEAR SPANISH CEDAR TRIM

OVERALL THICKNESS 3-1/16"

PAINT GRADE CONSTRUCTION DETAIL



- 1/4" HARDWOOD PLYWOOD BACKER PANEL
- 1-1/4" POLYSTYRENE INSULATION 
- 1-1/4" ENGINEERED WOOD CORE 
- 1/2" WOOD COMPOSITE WITH MILLED V GROOVE
- 9/16" CLEAR SPANISH CEDAR TRIM

OVERALL THICKNESS 2-9/16"

ARCHITECTURAL DOOR CORP.

75 North Pine Creek Rd Fairfield, CT 06824 (877) 259-DOOR (3667)
www.architecturaldoorcorp.com