

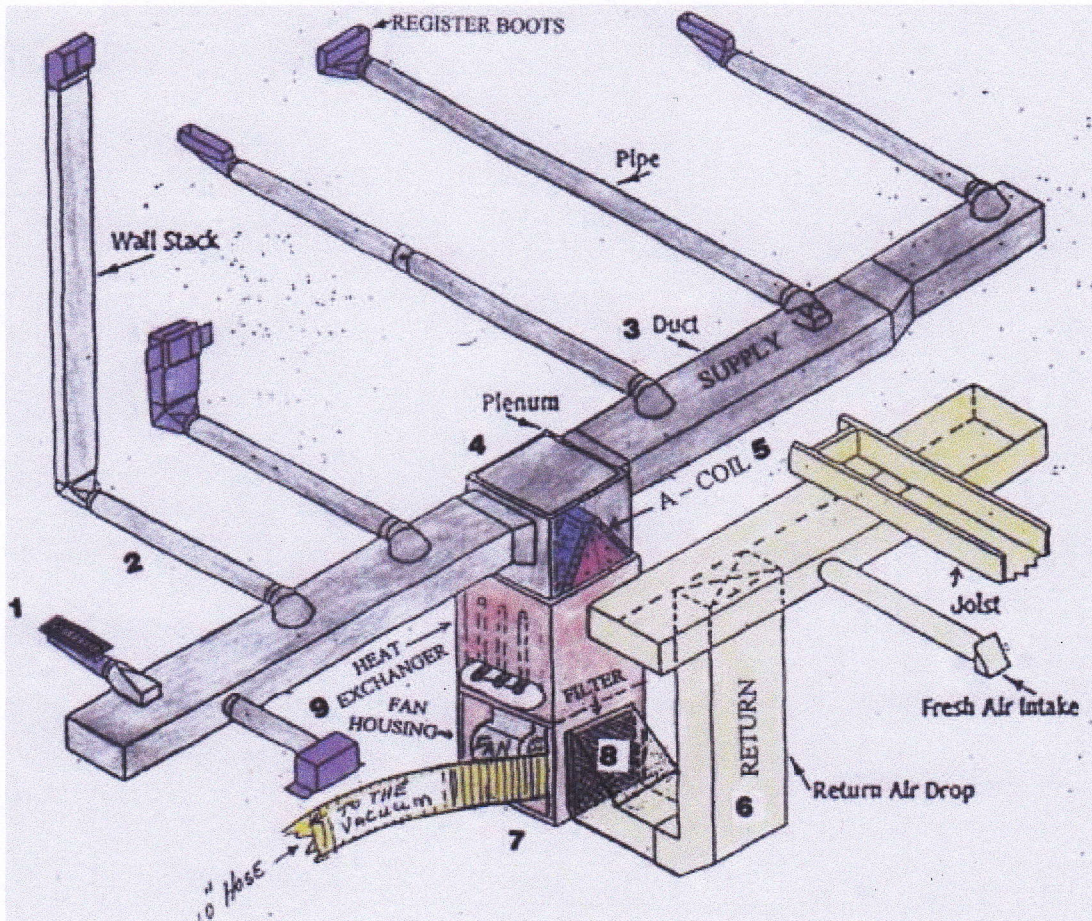
FURNACE & AIR DUCT CLEANING

Are you continually COUGHING, SNEEZING, & DUSTING the furniture?

Give your self & your allergies a rest, & have us remove the disease carrying dust, dirt, and lint which is constantly recirculated by the furnace fan, from your ductwork. The technician also oils the motors & air fans, checks the fan belt for wear, & will install clean air filters, (at your request) when cleaning your HVAC system.

WHAT WE CLEAN

1. ALL REGISTERS & BOOTS
2. PIPES
3. ALL SUPPLY DUCTS
4. PLENUMS
5. AIR CONDITIONING COILS
6. RETURN AIR DUCTS
7. FAN & COMPARTMENT
8. FILTER
9. HEAT EXCHANGER
10. SMOKE or VENT PIPE (not shown).
11. FLUE or CHIMNEY (not shown).



For Appointment, CALL 509-529-2088

Before making your appointment,
you may also want to consider cleaning your,
WOOD or PELLET STOVE, FIRE PLACE, FIRE PLACE INSERT, or DRYER VENT?