



Product Presentation
Dough Dividers





Dough Dividers for all types of dough

In the Glimek Dough Divider range you will find the right machine for every bakery. Automatic suction-fed dough dividers with high weight accuracy and capacity from 750 up to 6000 dough pieces/h. Very easy to operate and suitable for different kind of dough.

Find out more on our website www.sveba-dahlen.com

Dough Divider Range:

Dough Divider

SD-180

Capacity:
750-1800
pieces/hour



SD-300

Capacity:
750-3000
pieces/hour



Industrial Dough Divider

SD-600

Capacity:
1000-6000
pieces/hour





Dough Divider

SD-180 – Dough Divider

Capacity: 750-1800 pieces/hour

An automatic suction-fed dough divider for all types of dough. High weight accuracy and flexible weight range makes it suitable for all types of bakeries.

Features

Variable speed with frequency converter as standard.

Easy handling and cleaning. All covers in stainless steel and removable, dough knife in stainless steel with a unique emptying function (hopper reaches down to the dough knife).

Extremely silent 72 dB(A) with an oil reservoir of 17 litres which is easy to fill.

Options

- Stainless Steel Frame
- Lower capacities:
 - Variable speed 500-1000 dough-pieces per hour
 - Variable speed 500-1200 dough-pieces per hour
- Extra large hopper – 225 litre stainless steel hopper
- Non-stick coated hopper for 100 or 225 litres
- Automatic hopper lubrication for 225 litre hopper
- Special length on outfeed conveyor
- Special belt on outfeed conveyor
- Hander-up system HU-180 – Rounding unit mounted on extended outlet conveyor. Capacity up to 1200 dough-pieces per hour
- Elevating Conveyor EC with two parallel conveyor belts – Lower conveyor belt can be used also for table feeding. Capacity range up to 1200 dough pieces/hour. Height: 1685 or 1350 mm
- Oiling of outfeed conveyor belt
- Oiling of Measuring Piston
- Oiling of Measuring Piston and belt
- Flour duster – mechanical or electrical SD-180
- Mini piston and adapter for dough weight 35-250 grams:
 - For SD-180 and SD-180XL
- Dough limit adjustment
- Safety Light grid
- Touch Screen Control Panel incl. piece counter
- Height extension



Standard measuring piston 120-1600 g



Standard measuring piston replaced by Mini Piston 35-250 g



Touch Screen Control (option)

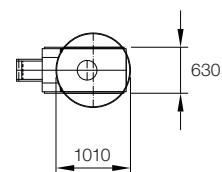
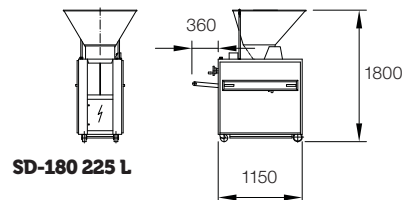
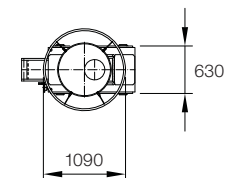
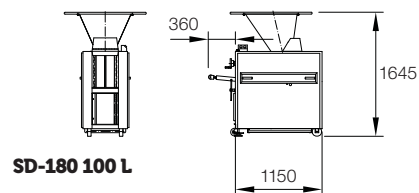


Technical

Capacity range	750-1800 dough pieces/h
Weight range*	
SD-180XS	50-1000 g
SD-180	120-1600 g
SD-180XL	180-2300 g
Weight	570 kg
El. load	1.1 kW

* subject to capacity and dough characteristics

Measurements



Dough Divider

SD-300 – Dough Divider

Capacity: 750-3000 pieces/h

An automatic suction-fed dough divider which can be used either as 1-pocket or as a 2-pocket. Strong design adapted to heavy-duty production.

Features

Weight range, two versions: 40 - 1000 g or 150 - 2300 gram with variable speed with frequency converter and a capacity of 1500-3000 as two pocket and 750 - 1500 as one pocket (the two measuring pistons are easily connected to one piston).

Dough knife in stainless steel and an unique emptying function (hopper reaches down to the dough knife).

Dough chambers in high quality NI-resist steel ensures high weight accuracy and long durability.

Easy to use PLC touch screen for Speed control (frequency converter), Weight reference scale, counting/count down, Separate control for second outfeed belt.

Oil reservoir 11 lit, easy to fill.

Options

- Extra large hopper – 225 litre stainless steel hopper
- Non-stick coated hopper: 100 litres or 225 litres
- Automatic hopper lubrication for 225 litre hopper
- Flour duster – mechanical SD-300 (Not in combination with 'Oiling of first conveyor belt')
- Non-stick coated dough scraper – for very soft or sticky dough's
- Oiling of first conveyor belt (Not in combination with 'Flour duster')
- Oiling of Measuring Piston
- Oiling of Measuring Piston and first conveyor belt (Not in combination with 'Flour duster')
- Height extension
- Special belt on one or both conveyors
- Special length on outfeed conveyor

Technical

Capacity range	
2-pocket	1500-3000 dough pcs/h
1-pocket	750-1500 dough pcs/h
Weight range*	
2-pocket SD-300	40 - 400 g
1-pocket SD-300	100 - 1000 g
2-pocket SD-300 XL	150 - 1150 g
1-pocket SD-300 XL	250 - 2300 g
Weight	685 kg
El. load	1.5 kW

* subject to capacity and dough characteristics



Available with left or right outfeed (standing in front of operation panel)

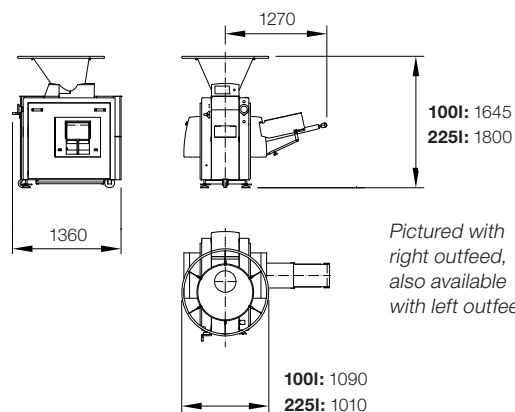


The SD-300 is equipped with an easy to use PLC touch screen with an user-friendly interface as standard



Easy switch from 1-pocket to 2-pocket

Measurements



Industrial Dough Divider

SD-600 - Suction Dough Divider

Capacity: Up to 6000 pieces/h

A stainless multi pocket dough divider in 3-pocket or 2/4-pocket execution. Stepless adjustable dough pressure, adjustable while running. Robust chassis for industrial production.

Features

Weight range, two versions: 150-1000 g as 3-pocket and 250-1700/100-700 g as 2/4-pocket. Variable speed with frequency converter.

Capacity 1500-4500 pcs/h as 3-pocket, 2000-6000 pcs/h as 4-pocket and 1000-3000 pcs/h as 2-pocket (the measuring pistons are easily connected two and two).

Dough chambers in high quality Ni-resist steel ensures high weight accuracy and long durability.

Very user friendly 8" touch screen for settings and storing recipes. Stepless adjustable pneumatic system (compressed air required, min 6 bar) for very gentle handling of different types of dough. Can be adjusted during the operation.

Reliable dividing system for very high weight accuracy and separate drive on outfeed belts, equipped with smart monitored lubrication systems to get long life of the machine.

Quick release on outfeed conveyor for easy cleaning. High attention on both safety and hygienic aspects in the development.

PLC touch screen for menu-based navigation controls. 100 lit stainless steel hopper as standard (~70 kg dough) and 225 lit stainless steel hopper (~150 kg dough) as an option.

Options

- Extra large hopper – 225 litre stainless steel hopper
- Non-stick coated hopper: 100 litres or 225 litres
- Flour duster – mechanical
- Oiling of first conveyor belt
- Special belt on one or both conveyors
- Special length on outfeed conveyor
- Check weigher

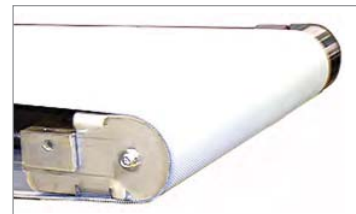
Technical

Capacity range	
3-pocket	1500-4500 dough pcs/h
2/4-pocket	1000-3000 / 2000-6000 dough pcs/h
Weight range*	
3-pocket SD-600	150 - 1000 g
2/4-pocket SD-600	250-1700 / 100 - 700 g
Weight	1100 kg
El. load	3.5 kW
Compressed air	6 bar

* subject to capacity and dough characteristics

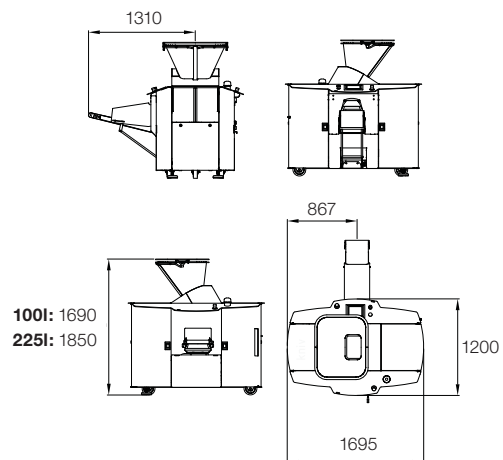


Stepless adjustable pneumatic system for very gentle handling of different types of dough



Quick release on outfeed conveyor for easy cleaning.

Measurements



We have the equipment and expertise
you need for your bakery



Sveba-Dahlen develops, markets and manufactures bread lines, rack ovens, deck ovens, tunnel ovens, proving chambers and fermentation lines. We supply to bakeries, shops and supermarkets, industrial bakeries, restaurants and catering establishments of all sizes, all over the world.

Visit our website!



The baker's best friend

www.sveba-dahlen.com

Sveba-Dahlen AB, 518 32 Fristad, Sweden
Phone: +46 33-15 15 00, Fax: +46 33-15 15 99, mail@sveba-dahlen.se