

Divider for fermented dough TXA-MINI-TOP

Zelaieta

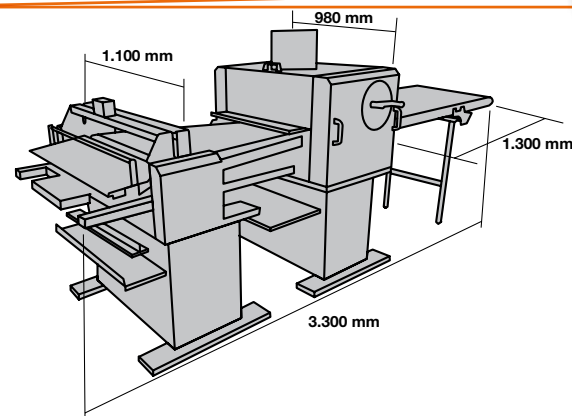
Máquinas de panadería
Bakery machines

Bº Zalain, nº 19 - 31780 BERA (Navarra) Spain
Tel.: +34 948 631 004 - Fax: +34 948 631 308
info@zelaieta.com - www.zelaieta.com

- Machine designed to produce high hydrated bread (70-90% water).
- Due to its special process: tough flour, important resting time, less damage when cutting, etc., permits to produce high quality bread and several shapes.
- After programming the machine, the TXA-MINI-TOP and having unload the piece of dough into the inlet belt, spread the dough, the machine divides and cut several types of bread.
- After cutting pieces are separated in different variable ways and automatically panned in tray or board, manually handling the trays.
- Control through automat, which allows 16 different programs.
- The machines tells when the dough is finished to joint the following one.
- Tray or board dimensions: 500-800 mm max.
- Types of bread: the classic ciabatta in all its shapes: baston, baguette, rustic with pointed ends, minis, etc.
- Longitudinal cutting disks and transversal cut guillotine.



Types of bread



Longitudinal cutting disks and
Transversal cut guillotine



Laminated fluted roller