

Divider for fermented dough TXA-MINI

Zelaieta

Máquinas de panadería
Bakery machines

Bº Zalain, nº 19 - 31780 BERA (Navarra) Spain
Tel.: +34 948 631 004 - Fax: +34 948 631 308
info@zelaieta.com - www.zelaieta.com

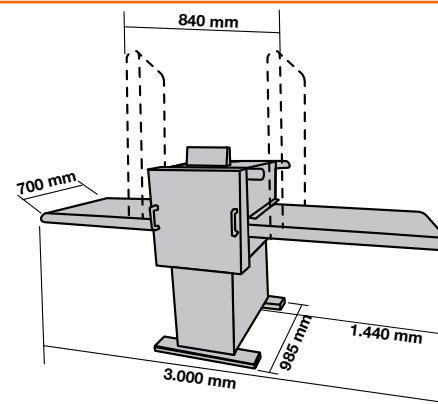
- Machine designed to produce high hydrated bread (70-90% water).
- Due to its special process: tough flour, important resting time, less damage when cutting, etc., permits to produce high quality bread and several shapes.
- Within the TXA-MINI the piece of dough has to be spread manually.
- After the division-mould automatically, the collecting of the product is manual.
- Types of bread: the classic Ciabatta in all its shapes: baston, baguette, sandwich, small, pointed ends, etc.



Fluted lamination roller



Types of bread



Longitudinal cutting disks and transversal cut guillotine.