

Project: _____

Date: _____

Specified Voltage: _____

ESCHER MT PREMIUM LINE



ESCHER
mixers

Self-Tipping Spiral Mixers

- Fixed bowl spiral mixer with two motors and hydraulic elevator which tips the dough into a divider or onto a table
- Table: 59.06" Divider: 78.74"
- Premium drive system with a dual belt, resulting in more power being delivered to the spiral tool
- Specifically designed for intensive use and stiffer doughs.
- OPTIONAL: Tilt to right or left
- *Bagel mixer models available*

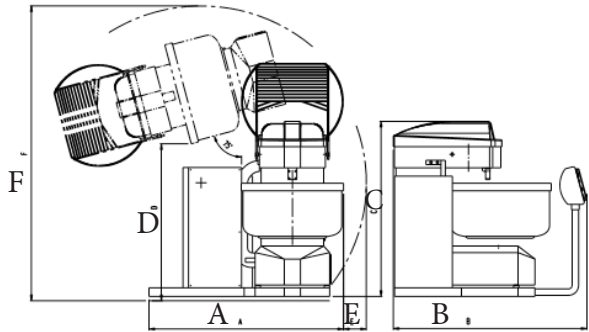


Features:

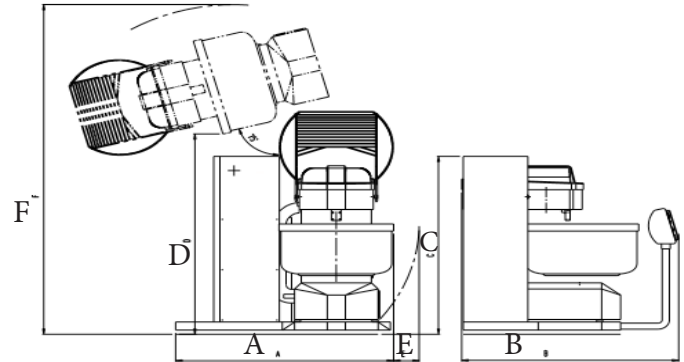
- Two speeds, two motors, two way bowl
- Reverse bowl in 1st speed
- Bowl jog
- Belt transmission
- Automatic timers
- Stainless steel bowl, spiral tool and breaker bar
- OPTIONAL: stainless steel finish, touch screen, infrared temperature measurement, bowl scraper, beater for pastry dough.



Premium Drive System Designed For Extra Mixing Power and Less Slip



1. Table Top



2. Divider

Model	Kneading Capacity	Flour Capacity	Bowl Volume	Spiral Power	Bowl Power	Dimensions						Weight
						A	B	C	D	E	F	
1.MT80P (Table)	176 lbs	110 lbs	325 lbs	KW 3/5.2	KW 0.55	65" x 65" x 63" / 62" / 113" / 103"						2153 lbs
2.MT80P (Divider)	176 lbs	110 lbs	325 lbs	KW 3/5.2	KW 0.55	65" x 65" x 71" / 82" / 113" / 123"						2969 lbs
1.MT120P (Table)	265 lbs	165 lbs	391 lbs	KW 3/5.2	KW 0.55	67" x 65" x 63" / 61" / 111" / 103"						2244 lbs
2.MT120P (Divider)	265 lbs	165 lbs	391 lbs	KW 3/5.2	KW 0.55	67" x 65" x 71" / 80" / 111" / 123"						3060 lbs
1.MT160P (Table)	353 lbs	220 lbs	571 lbs	KW 7.5/12.5	KW 0.75	70" x 71" x 67" / 60" / 10" / 106"						3197 lbs
2.MT160P (Divider)	353 lbs	220 lbs	571 lbs	KW 7.5/12.5	KW 0.75	70" x 71" x 72" / 81" / 10" / 125"						4012 lbs
1.MT200P (Table)	441 lbs	276 lbs	655 lbs	KW 7.5/12.5	KW 0.75	71" x 71" x 67" / 59" / 9" / 106"						3373 lbs
2.MT200P (Divider)	441 lbs	276 lbs	655 lbs	KW 7.5/12.5	KW 0.75	71" x 71" x 72" / 79" / 9" / 126"						4189 lbs
1.MT240P (Table)	529 lbs	331 lbs	816 lbs	KW 7.5/12.5	KW 1.1	73" x 71" x 67" / 57" / 10" / 117"						3483 lbs
2.MT240P (Divider)	529 lbs	331 lbs	816 lbs	KW 7.5/12.5	KW 1.1	73" x 71" x 72" / 77" / 10" / 138"						4299 lbs