

# ROAMEO

Rugged Observation Assistance  
Mobile Electronic Officer

## A FULLY FUNCTIONAL, MOBILE ROBOT

The guarding and security industries have waited long enough for a robot that it can count on. ROAMEO is here.

## ENGINEERED TO PERFORM

Towering nearly 7' tall and loaded with the power to traverse miles of rugged terrain - autonomously, before heading home to recharge.

## DESIGNED TO IMPRESS

More than just a powerhouse in security, guarding and deterrence, ROAMEO is the culmination of engineering, design and style.

## A ROBOT THAT CLIENTS WANT

ROAMEO is not a toy nor a gadget. ROAMEO will fundamentally transform your security services.

## MANUFACTURED TO ENDURE

As solid as it is secure, ROAMEO is built to withstand the elements, keep rolling along and deter any unwanted visitors.

## PRICED TO SUCCEED

Shipping in Q1, 2021 from RAD, ROAMEO's affordable subscription model makes deploying ROAMEO accessible to all end-users.



1-877-78-ROBOT

[info@roboticassistedevices.com](mailto:info@roboticassistedevices.com)

[www.roboticassistedevices.com](http://www.roboticassistedevices.com)

Details subject to change without notice.

RADROME0201020  
ROBOTIC ASSISTANCE DEVICES, INC ©2020



## Unparalleled Technology Performance, Function and Awareness

- Cellular and WiFi connectivity
- 4 cameras providing a full 360° field of view
- Over-the-air software updates
- Customizable informational display that can feature any combination of video, image and text messages
- High visibility RGB LEDs
- MAC Tracker™ capabilities through BOLO Technologies
- Human detection analytics with SuspectSpotter™
- License plate recognition with LicenseSpotter™
- 24/7 equipment monitoring from RAD through the Remote Monitoring Center
- Long-range audio paging
- Credential validation and access control
- Close-range video intercom
- 2 large 21" tablets (1 per side) featuring security and concierge services, plus video conferencing with the SOC or guards in the field
- Security | Help | Panic button
- PLUS RAD's exclusive Face Mask Detection System

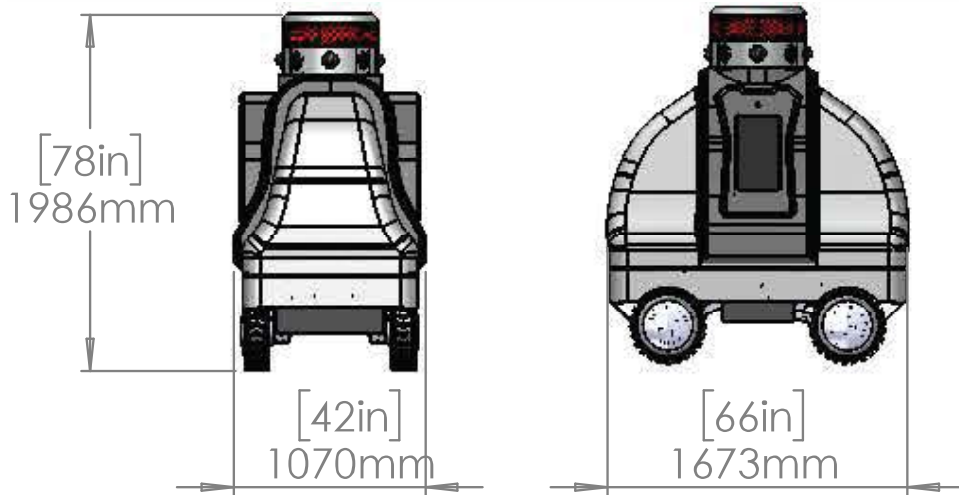
## ROAMEO, Unlike Anything Seen Before

Innovative from the ground up to its impressive 78" total height, ROAMEO is a robot unlike any deployed to date. ROAMEO takes all of RAD's industry-leading AI analytics, video surveillance capabilities, and interactive communications and puts them on the move, at speeds of up to 12 mph.

ROAMEO's 360-degree field-of-view routed through a robust analytic suite, all documented (HIPAA-compliant) securely on the cloud through enhanced cellular services will allow ROAMEO to map property patrol sites, plan and execute routes, avoid obstacles (i.e., people, trees, power posts), and collect and apply data to further optimize for precision and efficiency. The AI analytic suite powering ROAMEO enables the unit to identify vehicles, license plate numbers, and people, with facial recognition, even people wearing or not wearing face masks.



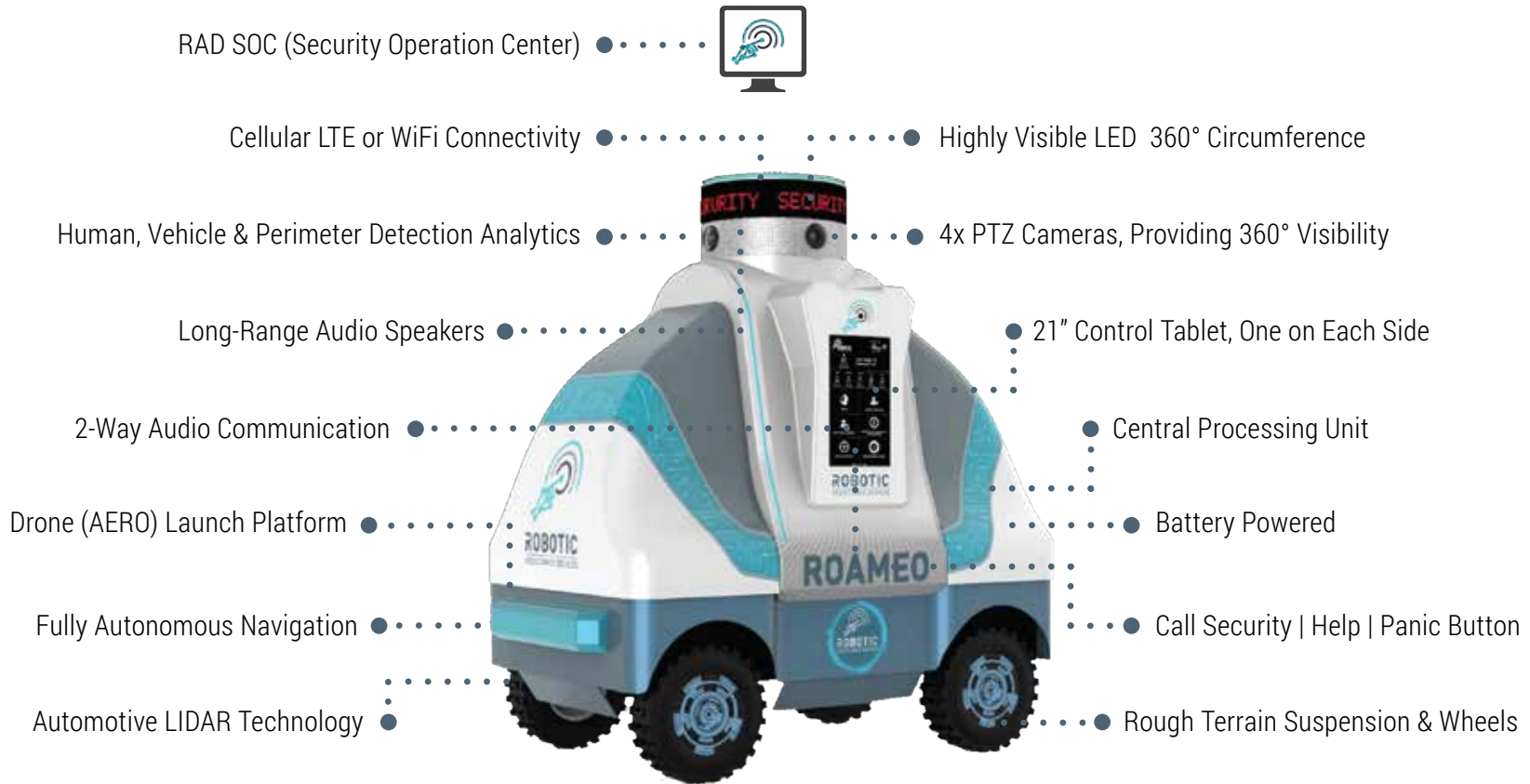




**COMMUNICATION PROTOCOLS:**

Standard - Cellular (no IT requirements)	Bandwidth requirements (range based on activity of each unit): 5mbps
Fair or better AT&T signal required	
Verizon optional (extra cost)	
Optional (no cost) - client WiFi	Data Retention (summary - addition details available upon request):
IT Requirements as follows:	-Full frame/high quality video: Approximately 15 days onboard
-Inbound TCP connection: No ports need to be opened	-Detection events: 1 year
-Outbound TCP Connections: 80, 443, 4445, 5938, 8822-8825	-User activity: 1 year
If UDP: 5938	-Setup details: Until deleted/modifie

*RAD software supports GDPR erasure requirements.*



As a complement to man-guarded situations, ROAMEO can also interact with people along its patrol route, providing necessary calls for help, panic buttons, security alerts, etc., plus an unlimited number of concierge services including local information, weather, directions, plus profit-generating advertising messaging.



ROAMEO, poised to roll into town and ready for duty in Q1, 2021



1-877-78-ROBOT

[info@roboticassistancedevices.com](mailto:info@roboticassistancedevices.com)  
[www.roboticassistancedevices.com](http://www.roboticassistancedevices.com)

Available From