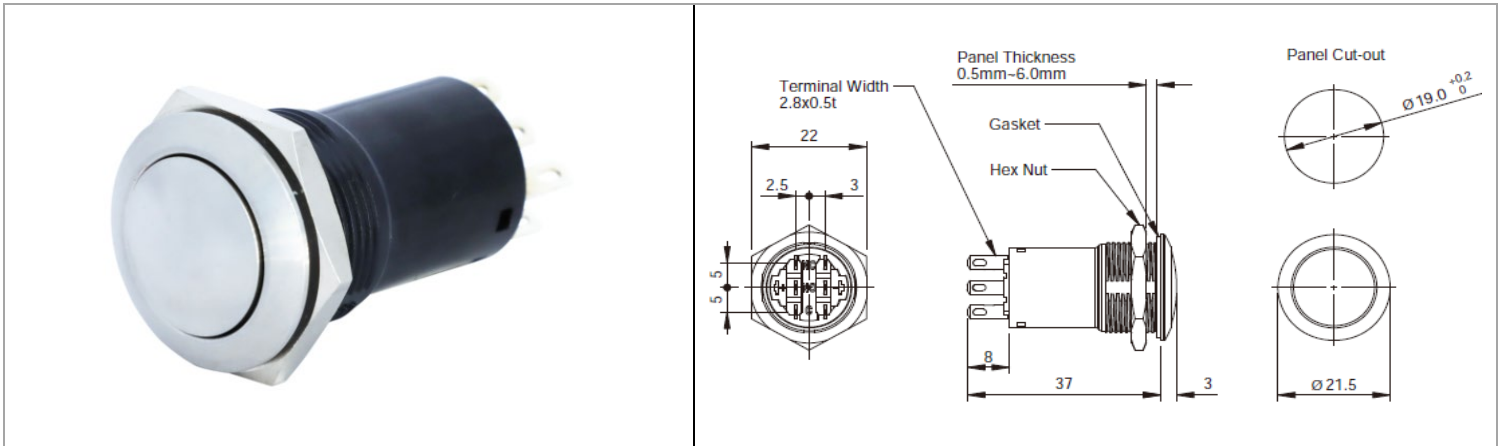


F25S1-x1x0NDx000

工業開關 > 金屬開關



目錄僅供參考，實際規格仍依照產品工程圖面為準

產品介紹 Product Description

應用標準 Application Standards

| | |
|--|---|
| UL(UL508,CSA-C22.2 No. 14) | |
| AC General | 125V/5A / 250V/5A |
| AC resistance | 125V/5A / 250V/5A |
| DC resistance | 24V/1A / 125V/0.2A / 250V/0.1A |
| CCC(GB/T14048.5-2017) | |
| Ui | 250V |
| Ith | 5A |
| Uimp | 2.5kV |
| AC -12 | 12V/5A / 30V/5A / 125V/4A / 250V/2A |
| AC -15 | 12V/5A / 30V/5A / 125V/3A / 250V/1.5A |
| DC -12 | 12V/1A / 125V/0.32A / 250V/0.16A |
| DC -13 | 12V/1A / 30V/1A / 125V/0.22A / 250V/0.11A |
| IP | IP65 |
| CCS(Chapter 3, Part 1 of CCS 2015) | |
| Ui | 250V |
| Ith | 3A |
| TÜV(EN60947-1:2007/A1:2011,EN60947-5-1:2004/A1:2009) | |
| AC-15 | 12V/5A / 30V/5A / 125V/3A / 250V/1.5A |
| DC-13 | 12V/1A / 30V/1A / 125V/0.22A / 250V/0.11A |
| IP | IP65 |
| Pollution degree | 2 |

| | | | | | | | | | |
|-------------------------------|--------------------------|------------------------------|--------------------------------------|--|--------------------------------------|--|--|---------------------------------|--------------------------|
| F25S1- | <input type="checkbox"/> | <input type="checkbox"/> | <input type="checkbox"/> | <input type="checkbox"/> | <input type="checkbox"/> | <input type="checkbox"/> | <input type="checkbox"/> | <input type="checkbox"/> | <input type="checkbox"/> |
| Function | IP | Contacts | LED Voltage | LED Color | Actuator Options | Material Finish | Lens Color | Mark | |
| 1: Momentary 2: Maintained | 2:IP67 | 3: 1 NO+1 NC 4: 2 NO+2 NC | 0: None 2: 6V 3: 12V 4: 24V | N: None G: Green R: Red A: Amber B: Blue W: White | F: Flush P: Prominent D: Domed | S: Stainless Steel P: Brushed Stainless Steel A: Aluminum B: Black Aluminum | 0: None G: Green R: Red A: Amber B: Blue | 00: None 01: Dot 02: Ring | |

技術規格 Technical Data

| | |
|---------------------------|---|
| Dielectric Strength | Between live part and ground: 2,000V AC, 1 min. Between terminals of the same poles: 1,000V AC, 1 min. |
| Contact Resistance | 50 mΩ maximum (initial value) |
| Insulation Resistance | 100 MΩ minimum |
| Operating Humidity | 45 to 85% RH (no condensation) |
| Storage Temperature | - 30 to +80°C (no freezing) |
| Operating Temperature | - 25 to +50°C (no freezing) |
| LED Operating Temperature | -25 to +55°C (no freezing) |
| Vibration Resistance | Operating extremes/Damage limits: 5 to 55 Hz, amplitude 0.5 mm |
| Shock Resistance | Damage limits: 500 m/s ² Operating extremes: 200 m/s ² |
| Mechanical Life | Momentary: 1,000,000 Maintained: 100,000 |
| Electrical Life | 50,000 |
| Terminal Style | Solder terminal |
| Torque (max) | 2.5Nm |
| Button travel (nominal) | 2.8mm |
| Operating Force (nominal) | For 1NO1NC: 2 N For 2NO2NC: 3 N |
| Weight (approx.) | 14.2g/11.4g (Stainless Steel/Aluminum) |