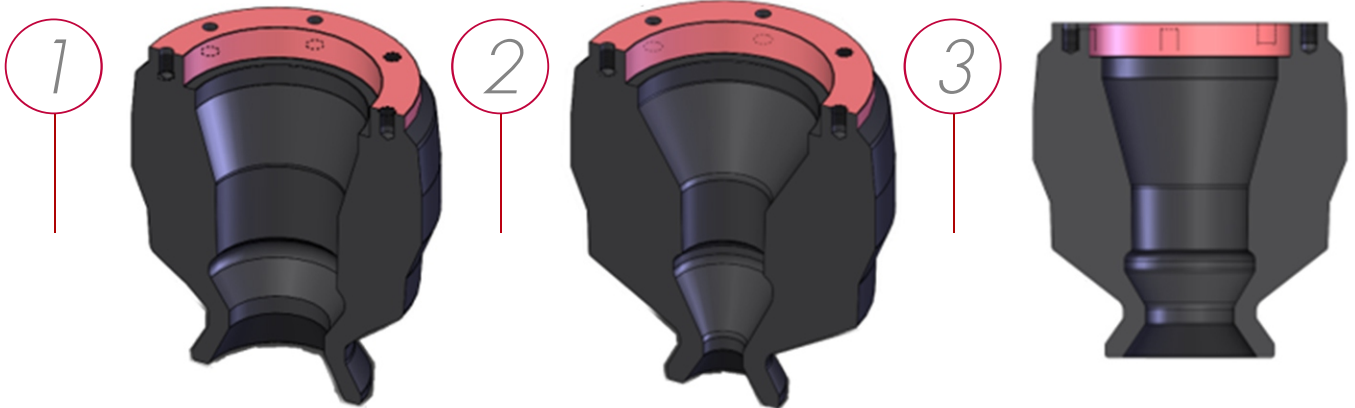


RS-100 PACK-OFF STRIPPING SEAL HEAD

HIGHLIGHTED FEATURES



- Rubber Stripper / Packoff Head is Wellbore Energize Seal
- Most Cost effective, Safe & reliable means of Sealing Pipe for Tripping in/out under pressure with conjunction of Annular BOP
- RS-100 Sealing Capacity: 1,200 psi Dynamic & 3,000psi Static with single RS-100 system
- Primary seal contact wider than 1 inch and Secondary seals activated at low pressure to create a positive seal in all applications
- RS Element Bolt Pattern Matches all exiting RS Stripping Head Design
- There is NO CORE charge
- Custom design as per client requirements



PIPE SIZE	PART NUMBER
1.66"	RS - 1106P
1.90"	RS - 1107P
2.375"	RS - 1108P
2.875"	RS - 1109P
3.500"	RS - 1110P
4.500"	RS - 1111P