

# MDE Semiconductor, Inc.

+, !% \$ 7 U`YHua d]WtZl b]h&%'\$z @JEi ]bHLZ75 'ZI G5 - &&' 'HY'. '+\* \$!) \* (!, \*) \* 'j': U ': '+\* \$!) \* (!& (% ' ' %!, \$ \$!, ' % (, , %9a U]. 'gUYg4 a XYgYa ]Wt bXi Wcf'Wta 'K YV. 'k k k 'a XYgYa ]Wt bXi Wcf'Wta ' .

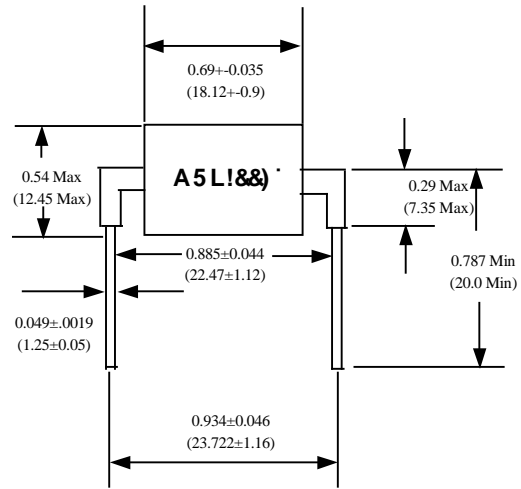
A5 LDU\_ 'i' GYf]Yg'

A5 L!&&)'

<= < '7I FF9BH'HF5 BG=9BH'JC @H5; 9'GI DDF9GGCF'

: 95HI F9G'

- %\$?5 'Gi f[ Y7 UdUM] ]m@ 8 x 20 µsec waveform (per IEC- 61000-4-5)
- UL 1449 Pending'
- Peak Power Dissipation 324KW'
- Bi-directional'
- Excellent clamping capability
- Repetition rate (duty cycle): 0.05%
- Sharp breakdown voltage
- Low incremental surge resistance
- Fast response time: typically less than 1.0 µs from 0 Volts to BV
- Operation temperature: -40°C to +125°C
- Epoxy encapsulated package has Underwriters Laboratory Flammability Classification 94 V-0



Dimensions in inches and (Millimeters)

A97 <5 B=7 5 @8 5 H5'

HYfa ]bU. 'Ag Plated Axial leads, solderable per MIL-STD-750. Method 2026

Aci bh]b[ 'Dcg] ]hcb: Any

K Y] [ \ h 0.408 ± 0.040 ounces (11.300 ± 1.130g)

A5 L=A I A 'F5 HB; G'5 B8 '7 <5 F57 H9 F =GH7 G'

Ratings at 25° C ambient temperature unless otherwise specified.

F5 HB; ' .	GMA 6 C @	J5 @ 9'	I B=HG'
Reverse Standoff Voltage	V <sub>rw</sub>	202.5	Volt
Breakdown Voltage @ IT=1.0mA	V <sub>br</sub>	225 ± 5%	Volt
Clamping Voltage @ 1080A / 10x1000 µsec waveform	V <sub>c</sub>	299 max	Volt
Reverse Leakage @ 202.5V	IR	20 µ max	A

# MDE Semiconductor, Inc.

78-150 Calle Tampico, Unit 210, La Quinta, CA., USA 92253 Tel : 760-564-8656 • Fax : 760-564-2414

1-800-831-4881 Email: sales@mdesemiconductor.com Web: www.mdesemiconductor.com

## MAXPak™ 225 Series Rating and Characteristic Curves

