

COUCHICHING CONSERVANCY WHIP-POOR-WILL SURVEY FORM

The Couchiching Conservancy

P.O. Box 704 • Orillia ON L3V 6K7



Route Name: _____
 Route Number: _____

Surveyor: _____

Assistant: _____

Vol. Hours: _____

Vol. Hours: _____

Survey Date: Year _____ Month _____ Day _____

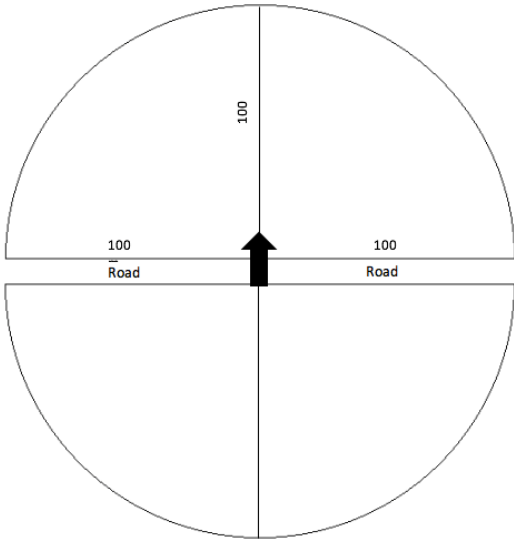
Sunset __: __ PM Moonrise __: __

Weather at Start of Survey (circle one option for each section)	
Temp.	_____ °C measured estimated
Wind Speed	0 Calm (0 - 2 km/h) 1 Light air (2 - 6 km/h) 2 Light breeze (7 - 11 km/h) 3 Gentle breeze (12 - 19 km/h) 4 Moderate breeze (20 - 30 km/h) 5 Fresh breeze (31-39 km/h) X Too windy (40+ km/h)
Precip.	0 None 1 Trace 2 Rain
Sky	0 Clear (0-25% cover) 1 Mostly clear (25-50% cover) 2 Mostly Cloudy (50-75%) 3 Cloudy (75-100%)

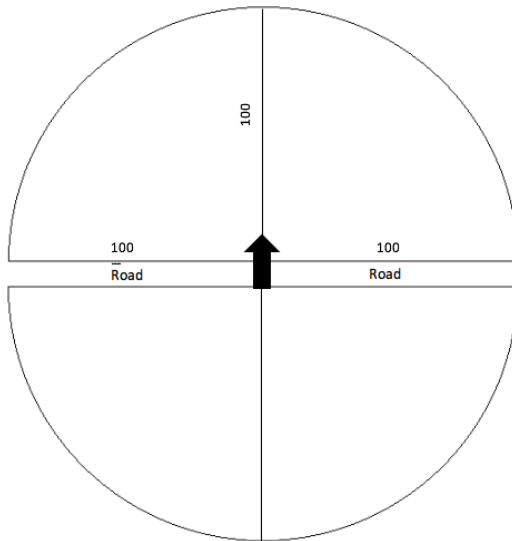
Stop Information (spend at least 3 minutes listening for Whip-poor-wills at each stop. For stops where you heard whip-poor-wills fill in the information on page 3)

Stop #	GPS Coordinates	Odometer (km)	Start Time	End Time	# EWPW in 1 st 3 mins	# CMNH in 1 st 3 mins	Additional EWPW in 2 nd 3 mins	Additional CMNH in 2 nd 3 mins	Moon Visible (Y/N)	Traffic Count (#)	Noise Level (circle one)
1		0.0 km									Slight High Moderate Excessive
2											Slight High Moderate Excessive
3											Slight High Moderate Excessive
4											Slight High Moderate Excessive
5											Slight High Moderate Excessive
6											Slight High Moderate Excessive
7											Slight High Moderate Excessive
8											Slight High Moderate Excessive
9											Slight High Moderate Excessive
10											Slight High Moderate Excessive

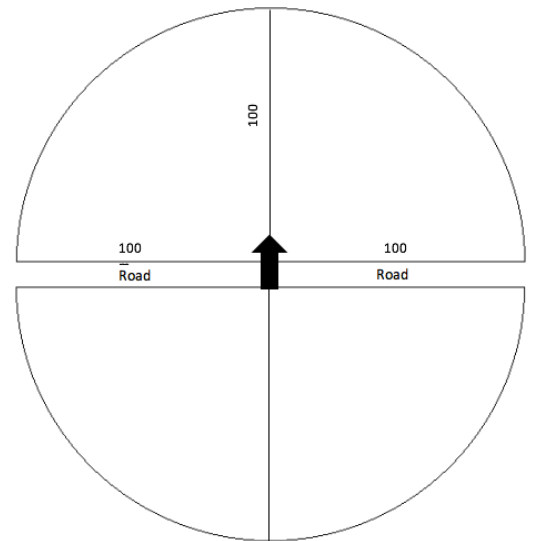
Stop: 1



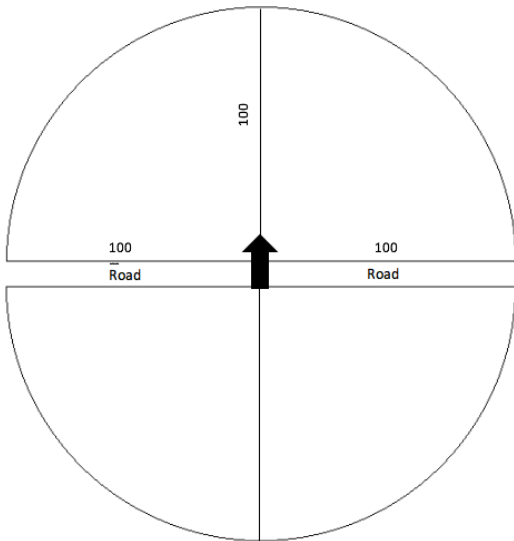
Stop: 2



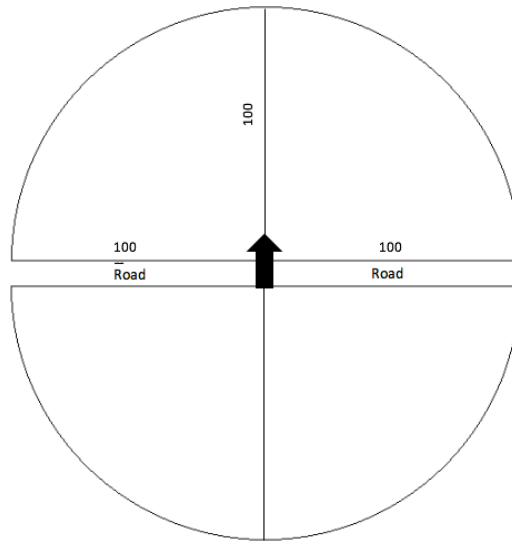
Stop: 3



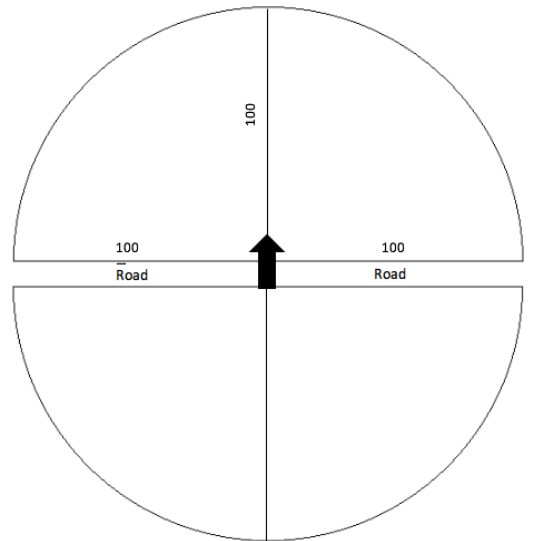
Stop: 4



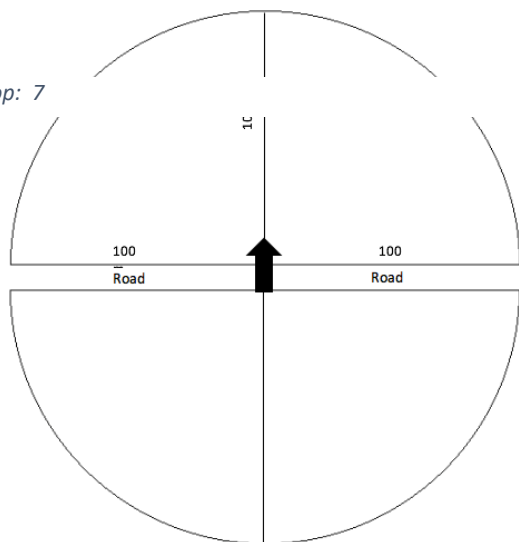
Stop: 5



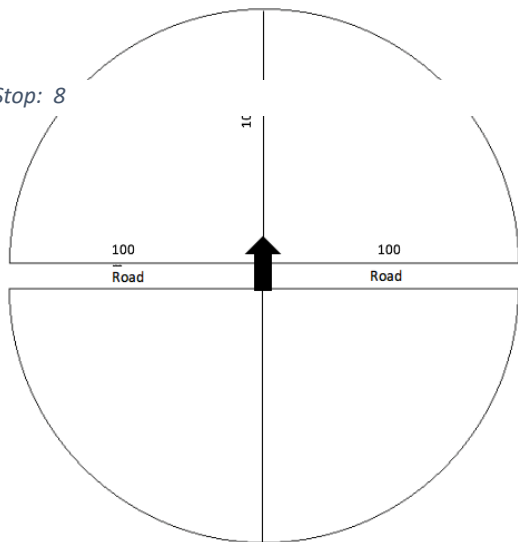
Stop: 6



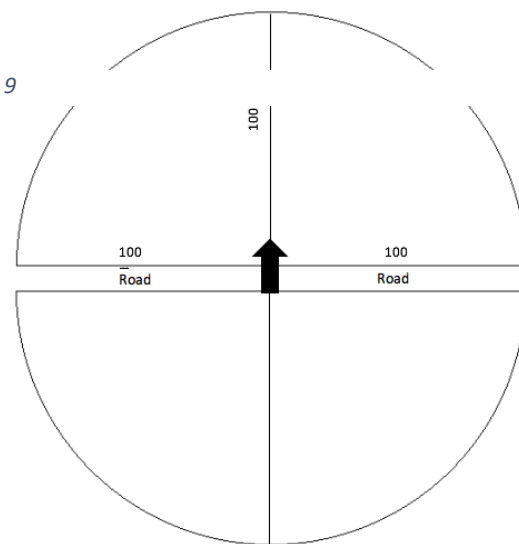
Stop: 7



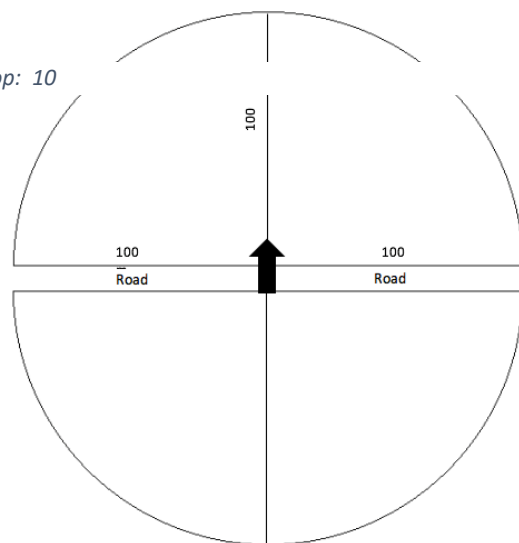
Stop: 8



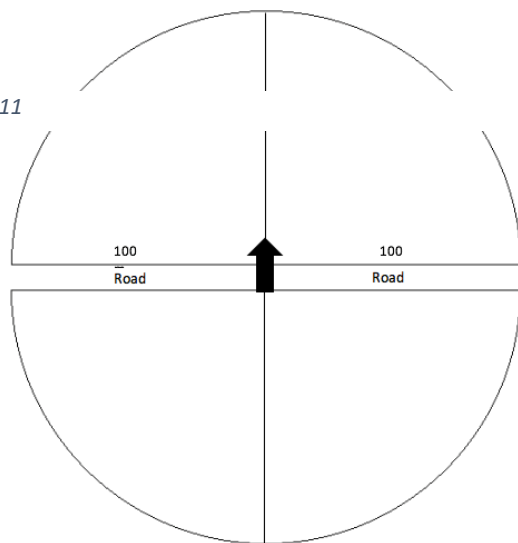
Stop: 9



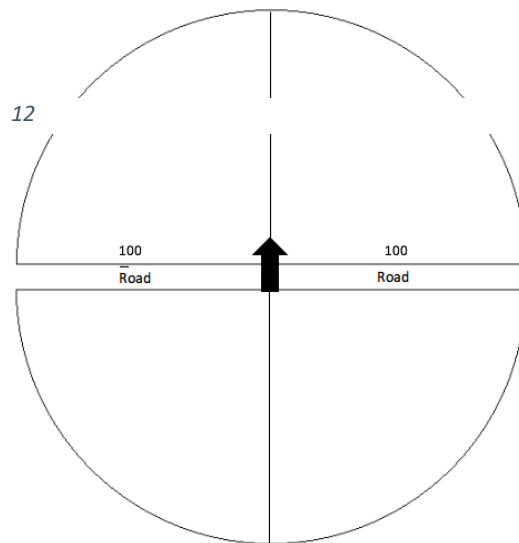
Stop: 10



Stop: 11



Stop: 12



Whip-poor-will Bird Information- fill in one line per bird heard (use additional page if needed)								
Stop #	EWPW #	Repeat from last stop?	1 st 3-min count?	2 nd 3-min count?	How close is it? (Circle one)		Direction (or bearing) to bird?	Comments
	1				<100 m	>100 m		
	2				<100 m	>100 m		
	3				<100 m	>100 m		
	4				<100 m	>100 m		
	5				<100 m	>100 m		
	6				<100 m	>100 m		
	7				<100 m	>100 m		
	8				<100 m	>100 m		
	9				<100 m	>100 m		
	10				<100 m	>100 m		
	11				<100 m	>100 m		
	12				<100 m	>100 m		
	13				<100 m	>100 m		
	14				<100 m	>100 m		
	15				<100 m	>100 m		
	16				<100 m	>100 m		
	17				<100 m	>100 m		
	18				<100 m	>100 m		
	19				<100 m	>100 m		
	20				<100 m	>100 m		
Total Number of Eastern Whip-poor-will observed on this route:								

