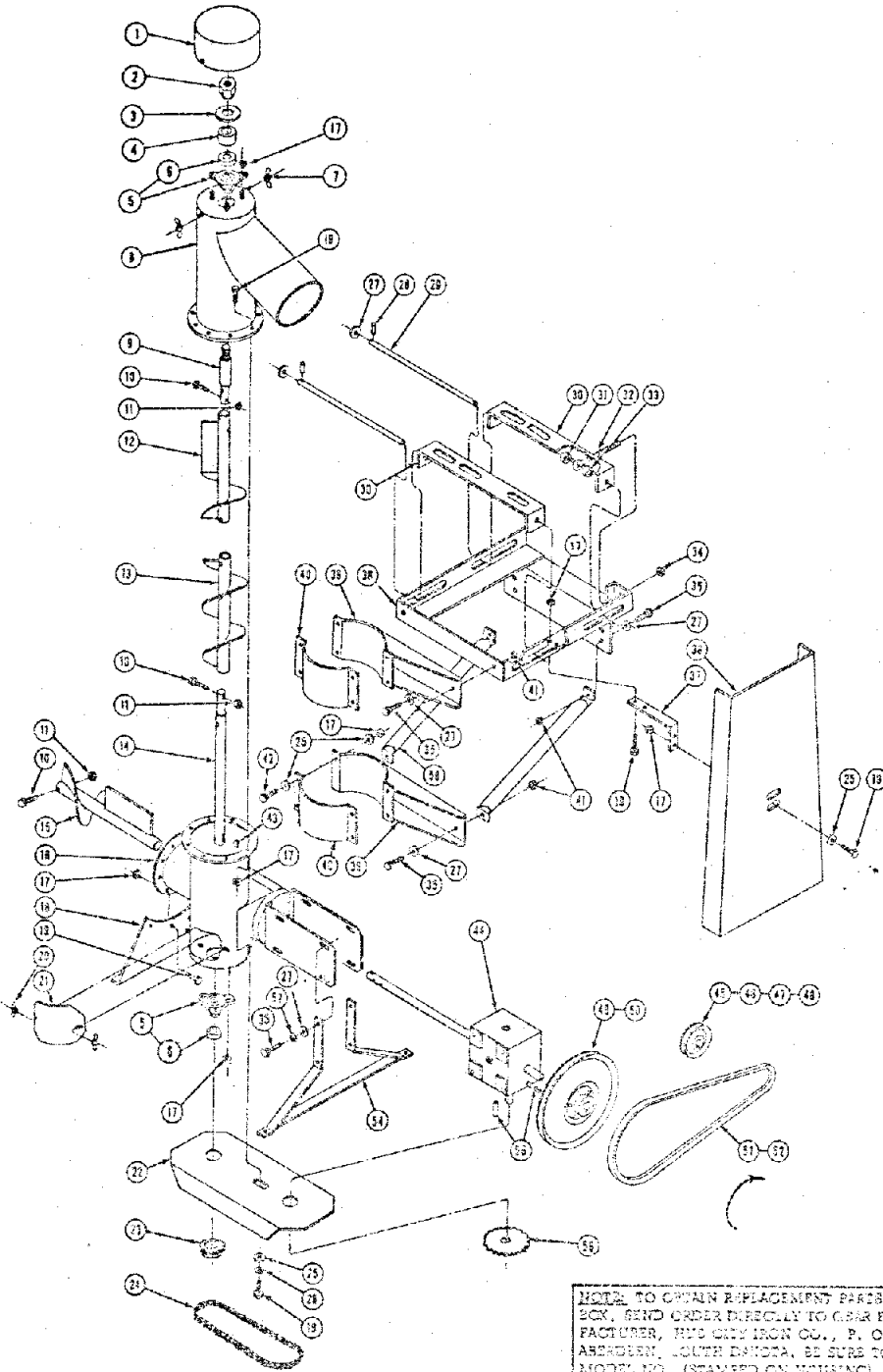




CARDINAL

VERTICAL POWER CORNER UNIT - 6"



KEY No.	PART No.	DESCRIPTION
1	A22242	WEATHER COVER
2		HEX LOCKNUT, 3/4-10NC
3		FLAT WASHER, 3/4 BOLT SIZE
4	22256	SPACER
5	A22246	FLANGE BEARING, 7/8 BORE
6	22254	BEARING COLLAR
7		WING NUT, 1/4-20NC
8	A19161	DISCHARGE HEAD
9	A22253	DRIVE SHAFT W/HARDWARE
10	23069	COUPLER BOLT
11		HEX LOCKNUT, 1/4-20NC
12	A32255	VERTICAL IMPELLER
13	A19790	VERTICAL SCREW
14	A19796	SHAFT W/HARDWARE
15	A19793	HORIZONTAL SCREW
16	A19598	POWER CORNER
17		HEX LOCKNUT, 5/16-18NC
18	19806	STAND
19		CAP SCREW, 5/16-18NC x 3/4
20	18570	WING NUT, 5/16-18NC
21	19730	CLEAN OUT COVER
22	19503	CHAIN GUARD
23	A18465	SPROCKET, 15-TOOTH
24	A18471	ROLLER CHAIN, RC50 x 49 PITCHES
25		FLAT WASHER, 5/16 BOLT SIZE
26		LOCKWASHER, 5/16 BOLT SIZE
27		FLAT WASHER, 3/8 BOLT SIZE
28	10701	SPRING PIN, 1/8 x 3/4
29	19819	SLIDE BAR
30	19818	MOUNTING STRAP
31	A17641	COLLAR
32	19520	ADJUSTING ROD
33	17035	SPACER
34		HEX NUT, 1/2-13NC
35		CAP SCREW, 3/8-16NC x 1"
36	19863	BELT GUARD
37	19864	BRACKET, BELT GUARD
38	A19815	MOTOR MOUNT BASE
39	A19821	MOTOR MOUNT HOOK-UP
40	19822	CLAMP BAND - HALF
41		HEX LOCKNUT, 3/8-16NC
42		CAP SCREW, 5/16-18NC x 1
43	15394	WOODRUFF KEY, 3/16 x 3/4
44	A19591	GEAR BOX
45	A16279	V-BELT PULLEY, 2.6 "B" P.D. x 7/8" (For 1 & 1 1/2 HP Single-phase Motors, 3 HP Three-phase Motors)
46	A17592	V-BELT PULLEY, 2.6 "B" P.D. x 1 1/2" (For 2 HP Single-phase Motors)
47	A19509	V-BELT PULLEY, 2.8 "B" P.D. x 1 1/2" (2 Groove) (For 3 HP Motors)
48	A19610	V-BELT PULLEY, 2.8 "B" P.D. x 1 1/2" (2 Groove) (For 5 HP Motors)
49	A15408	V-BELT PULLEY, 11" O.D. x 7/8" (For 1 thru 3 HP Drives)
50	A19850	V-BELT PULLEY, 11.4" O.D. x 7/8" (2-Groove) (For 5 HP Drives)
51	19848	V-BELT, 65" (For 1 thru 3 HP Drives)
52	A19847	V-BELT, 65" (Matched Set of Two (For 5 HP 3-phase Drives)
54	A19798	STAND
55	18743	SQUARE KEY, 3/16 x 1 1/4
56	A17403	SPROCKET, 22-TOOTH
57		LOCKWASHER, 3/8 BOLT SIZE
58	18624	MOTOR MOUNT SUPPORT

NOTE: TO OBTAIN REPLACEMENT PARTS FOR GEAR BOX, SEND ORDER DIRECTLY TO GEAR BOX MANUFACTURER, HVS CITY IRON CO., P. O. BOX 94, ARDENBURY, SOUTH DAKOTA. BE SURE TO SPECIFY MODEL NO. (STAMPED ON HOUSING), AND PART NO. OF PART AS SHOWN ON PARTS LIST SUPPLIED WITH GEAR BOX.

MANUFACTURED BY
LML ENGINEERING & MFG. CORP., Columbia City, Indiana

