

CAPACITY CHART

5" = 40° Incline @ 65% Fill @ 272 FPM = 12.277 cu. ft. min. / 9.82 Bu./Min. = 589 Bu. Hr.
 8" = 40° Incline @ 65% Fill @ 272 FPM = 19.644 cu. ft. min. / 15.72 Bu./Min. = 943 Bu. Hr.
 10" = 40° Incline @ 65% Fill @ 289 FPM = 32.613 cu. ft. min. / 26.09 Bu./Min. = 1565 Bu. Hr.
 15" = 40° Incline @ 65% Fill @ 272 FPM = 55.25 cu. ft. min. / 44.2 Bu./Min. = 2652 Bu. Hr.

1/4" LAGGED - DRIVE PULLEYS

5" 6 1/2" O.D. Crowned 10" 8 1/2" O.D. Crowned
 8" 6 1/2" O.D. Crowned 15" 10 1/2" O.D. Crowned

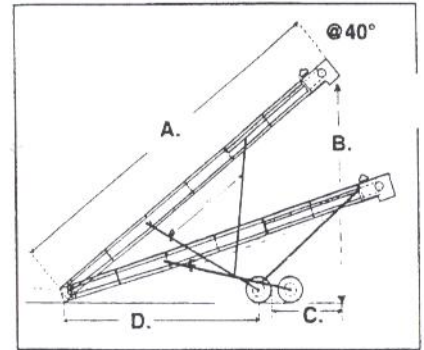
ELECTRIC DRIVE - CHAIN REDUCTION - SPEEDS

5" = 1750 RPM Motor - 3.75" O.D. Motor Pulley - 11T. to 33T. Sprockets - 12.75" O.D. Drive Pulley x 1.7 = 272 F.P.M.
 8" = 1750 RPM Motor - 3.75" O.D. Motor Pulley - 11T. to 33T. Sprockets - 12.75" O.D. Drive Pulley x 1.7 = 272 F.P.M.
 10" = 1750 RPM Motor - 3.35" O.D. Motor Pulley - 11T. to 33T. Sprockets - 15" O.D. Drive Pulley x 2.224 = 289 F.P.M.
 15" = 1750 RPM Motor - 3.75" O.D. Motor Pulley - 11T. to 45T. Sprockets - 15" O.D. Drive Pulley x 2.7475 = 272 F.P.M.

BELTING SPECIFICATIONS

5" PVC - 150 Lb. - 2" High Cleat @ 8" Centers (Temp. Range) 0-180° - Max. Stretch @ Max. Load = 1.7%
 8" PVC - 150 Lb. - 2" High Cleat @ 8" Centers (Temp. Range) 0-180° - Max. Stretch @ Max. Load = 1.7%
 10" PVC - 150 Lb. - 2 1/2" High Cleat @ 8" Centers (Temp. Range) 0-180° - Max. Stretch @ Max. Load = 1.7%
 15" PVC - 150 Lb. - 3" High Cleat @ 8" Centers (Temp. Range) 0-180° - Max. Stretch @ Max. Load = 1.7%

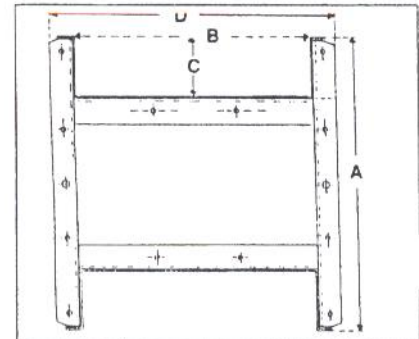
REACH & ELEVATION



A.	19'	27'	35'	43'
B.	11'1"	16'9"	21'6"	26'4"
C.	4'	5'6"	10'	12'11"
D.	10'1"	15'3"	16'3"	20'

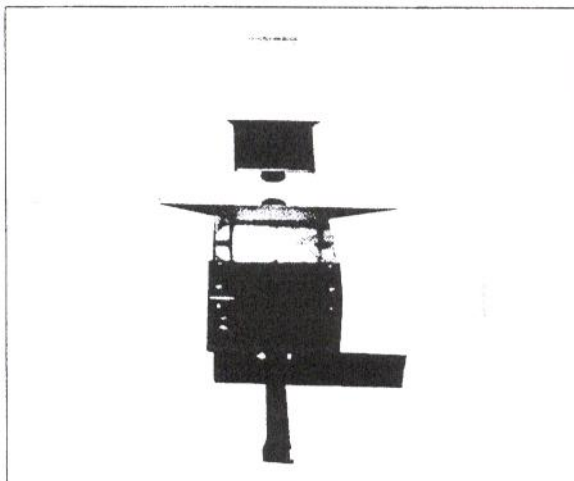
HORSEPOWER CHART

	19'	27'	35'	43'
5"	2 H.P.	3 H.P.	5 H.P.	5 H.P.
8"	3 H.P.	3 H.P.	5 H.P.	5 H.P.
10"	3 H.P.	3 H.P.	5 H.P.	5 H.P.
15"	5 H.P.	5 H.P.	7.5 H.P.	7.5 H.P.

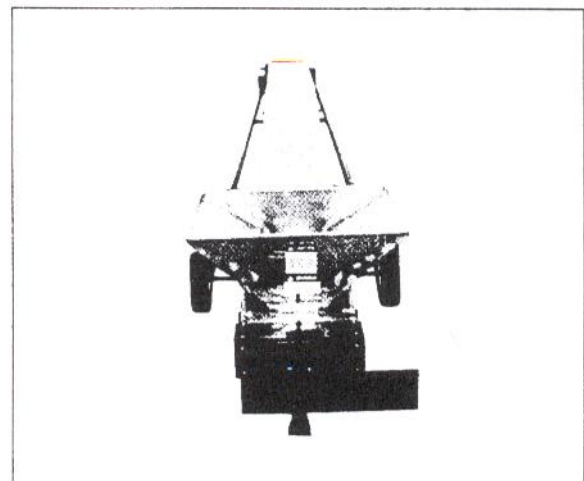


	A.	B.	C.	D.
5"	11 9/16"	5 1/16"	2 1/2"	8 7/32"
8"	11 9/16"	8 1/16"	2 1/2"	11 7/32"
10"	14 11/32"	10 1/16"	3"	13 7/32"
15"	17 17/32"	15 1/16"	3 1/2"	18 7/32"

Gravity Hopper w/Slide Gate: 24"W x 19"L x 7 3/4"H



Bulk Seed Bag Hopper w/Slide Gate: 34"W x 2'L x 14"H



SIMPLE

QUALITY BUILT PRODUCTS

SINCE 1943

Cardinal reserves the right to make improvements in design or changes in specifications at any time without incurring any obligation to owners of units previously sold.