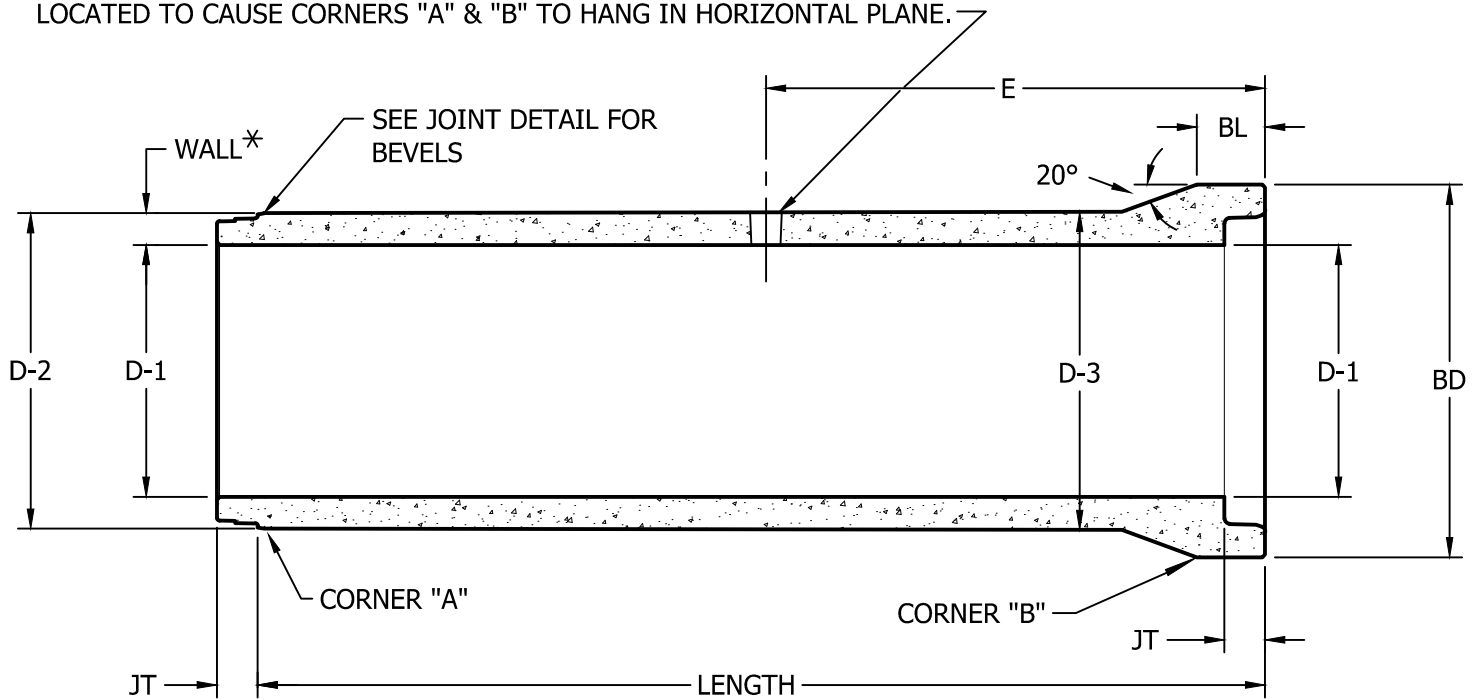


(1) LIFT HOLE THROUGH WALL FORMED WITH PLUG TAPERED FROM 3" TO 2-3/4" DIA. FINAL SIZE OF HOLE WILL BE APPROX. 3/8 LESS THAN PLUG SIZE DUE TO DEFORMATION DURING RETRACTION AND STRIPPING OF JACKET. SHAPING PIN REQUIRED TO ACHIEVE ACCURATE HOLE SIZE. LIFT HOLE LOCATED TO CAUSE CORNERS "A" & "B" TO HANG IN HORIZONTAL PLANE.



SIZE	WALL*	LENGTH	JT	D-1	D-2	D-3	BD	BL	E	WT PER LF	WT PER 8' PC.
12	2 3/32	8'-0"	3 1/2	12	16 3/16	16 9/16	19 5/8	6 1/2	46 1/16	135#	1080#
15	2 11/32	8'-0"	3 1/2	15	19 11/16	20 1/16	23 1/8	6 1/2	46 9/16	156.5#	1252#
18	2 1/2	8'-0"	3 1/2	18	23	23 3/8	26 5/8	6 1/2	46 1/2	195.5#	1564#
24	3	8'-0"	3 1/2	24	30	30 1/4	32 5/8	7	47 9/16	297.25#	2378#
30	3 1/2	8'-0"	3 1/2	30	37	37 1/8	39 1/2	7	47 7/8	415.13#	3321#
36	4	8'-0"	3 1/2	36	44	44 1/8	45 5/8	7	48 7/16	565#	4518#
42	4 1/2	8'-0"	4	42	51	51 1/8	52	7	49	719#	5748#

* WALL THICKNESS VARIES FROM END TO END DUE TO TAPER IN FORM JACKET

FOR 12"-18" DIA. JOINT DETAIL, SEE DRAWING # 52029A
 FOR 21"-36" DIA. JOINT DETAIL, SEE DRAWING # 52030A
 FOR 42" DIA. JOINT DETAIL, SEE DRAWING # 50854A

12" DIA. - 42" DIA. WALL "B" x 8' PIPE

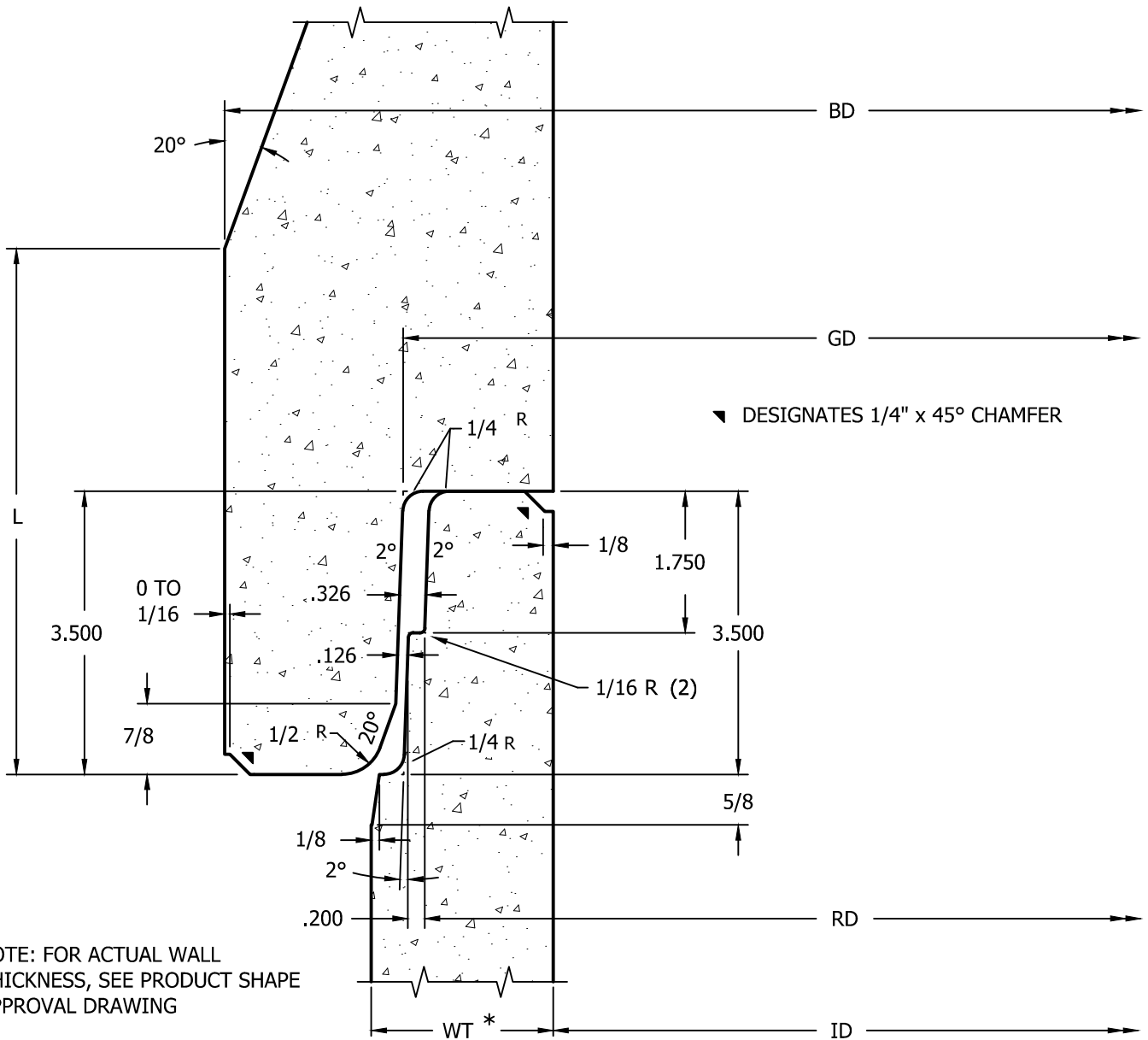
NOTES:
 ALL REINFORCED CONCRETE PIPE IS DESIGNED AND MANUFACTURED IN ACCORDANCE WITH ASTM C76, LATEST EDITION, INCLUDING BUT NOT LIMITED TO CONCRETE STRENGTH, REINFORCEMENT, D-LOAD REQUIREMENTS, WALL THICKNESSES, TOLERANCES, & JOINT DETAILS.

**12" TO 42" REINFORCED CONCRETE PIPE
 WITH FLARED BELL PER ASTM C-76**

VANHOSECO PRECAST, LLC
 244 BLAIR BEND DRIVE
 LOUDON, TN 37774
 Tel: (865) 458-3998



Drawn By: ART	Chkd. By: ART	Project Number:
SHEET 1 OF 9	DATE: 04/13/16	Drawing Number: RCP-01



* NOTE: FOR ACTUAL WALL THICKNESS, SEE PRODUCT SHAPE APPROVAL DRAWING

ID	WT	GD	RD	BD	L
12	2 1/8	15.258	14.728	19 5/8	6 1/2
15	2 3/8	18.709	18.179	23 1/8	6 1/2
18	2 1/2	21.709	21.179	26 5/8	6 1/2

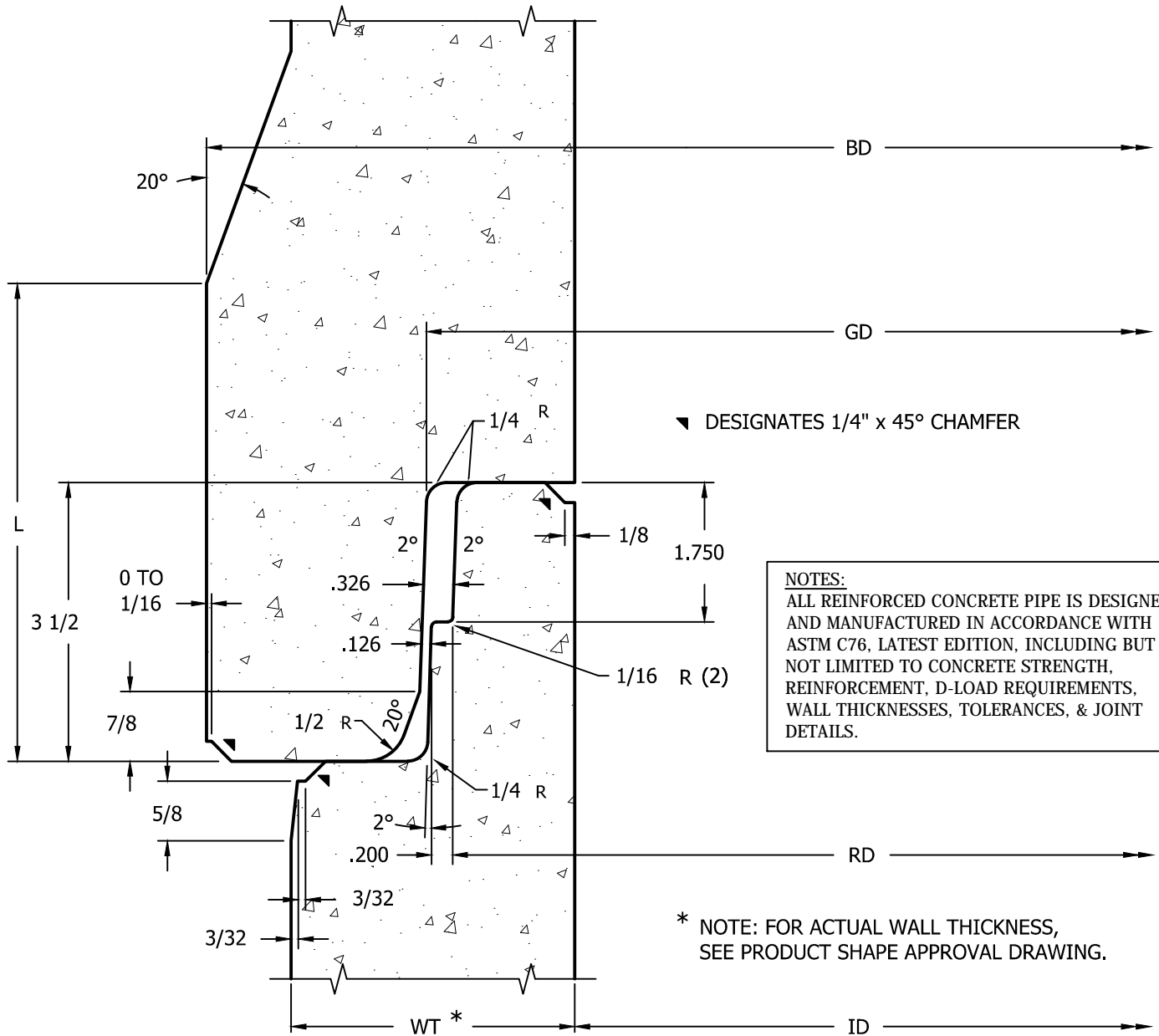
NOTES:
 ALL REINFORCED CONCRETE PIPE IS DESIGNED AND MANUFACTURED IN ACCORDANCE WITH ASTM C76, LATEST EDITION, INCLUDING BUT NOT LIMITED TO CONCRETE STRENGTH, REINFORCEMENT, D-LOAD REQUIREMENTS, WALL THICKNESSES, TOLERANCES, & JOINT DETAILS.

JOINT DETAIL FOR 12" TO 18" REINFORCED CONCRETE PIPE

VANHOOSECO PRECAST, LLC
 244 BLAIR BEND DRIVE
 LOUDON, TN 37774
 Tel: (865) 458-3998



Drawn By: ART	Chkd. By: ART	Project Number:
SHEET 2 OF 9	DATE: 04/13/16	Drawing Number: RCP-01A



NOTES:
 ALL REINFORCED CONCRETE PIPE IS DESIGNED AND MANUFACTURED IN ACCORDANCE WITH ASTM C76, LATEST EDITION, INCLUDING BUT NOT LIMITED TO CONCRETE STRENGTH, REINFORCEMENT, D-LOAD REQUIREMENTS, WALL THICKNESSES, TOLERANCES, & JOINT DETAILS.

* NOTE: FOR ACTUAL WALL THICKNESS, SEE PRODUCT SHAPE APPROVAL DRAWING.

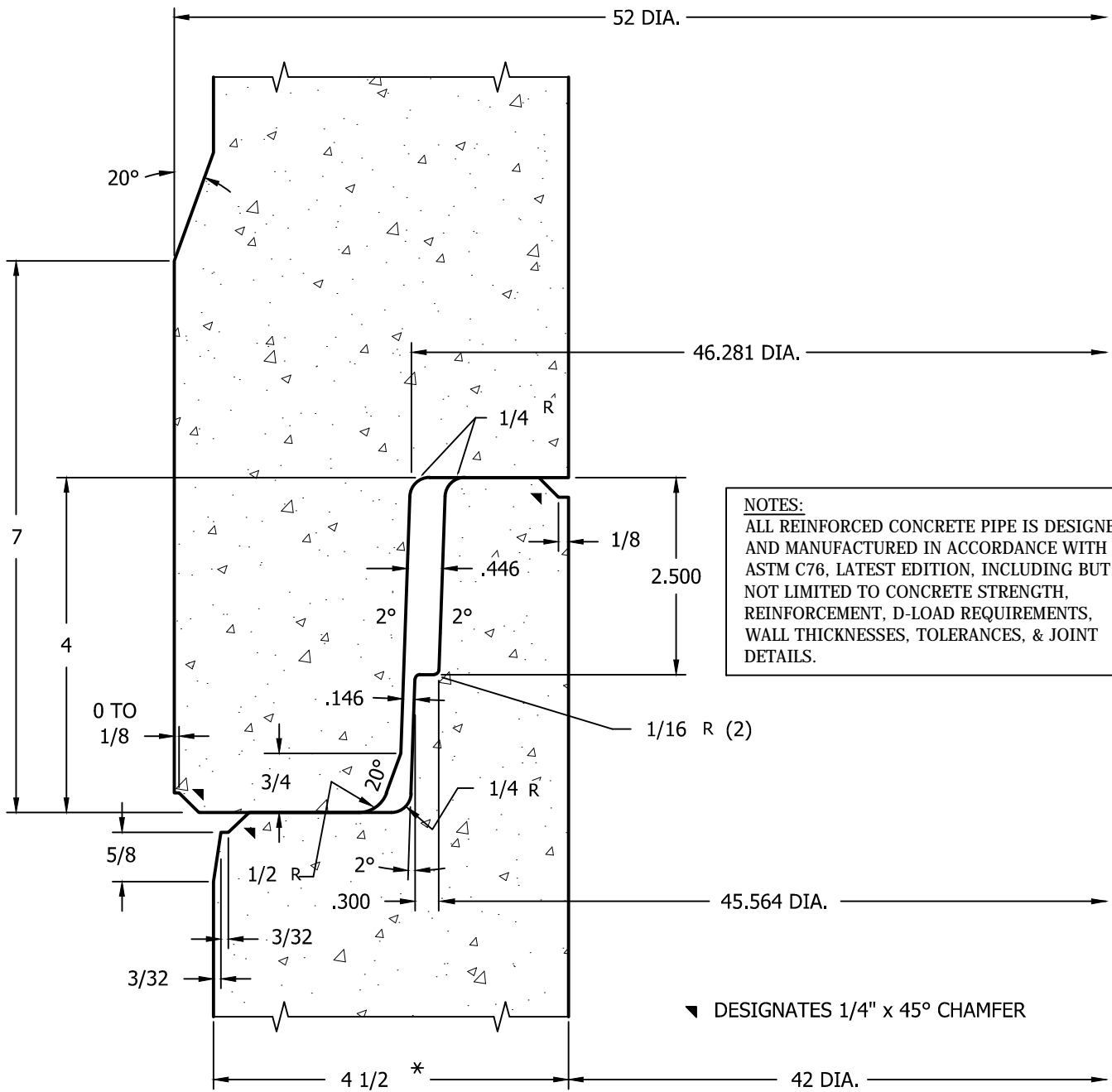
ID	WT	GD	RD	BD	L
24	3	27.709	27.179	32 5/8	7
30	3 1/2	34.000	33.470	39 1/2	7
36	4	40.000	39.470	45 5/8	7

**JOINT DETAIL FOR 24" TO 36"
 REINFORCED CONCRETE PIPE**

VANHOSECO PRECAST, LLC
 244 BLAIR BEND DRIVE
 LOUDON, TN 37774
 Tel: (865) 458-3998



Drawn By: ART	Chkd. By: ART	Project Number:
SHEET 3 OF 9	DATE: 04/13/16	Drawing Number: RCP-01B



NOTES:
 ALL REINFORCED CONCRETE PIPE IS DESIGNED AND MANUFACTURED IN ACCORDANCE WITH ASTM C76, LATEST EDITION, INCLUDING BUT NOT LIMITED TO CONCRETE STRENGTH, REINFORCEMENT, D-LOAD REQUIREMENTS, WALL THICKNESSES, TOLERANCES, & JOINT DETAILS.

* NOTE: FOR ACTUAL PIPE WALL THICKNESS, SEE PIPE PRODUCT SHAPE APPROVAL DRAWING

JOINT DETAIL FOR 42" REINFORCED CONCRETE PIPE

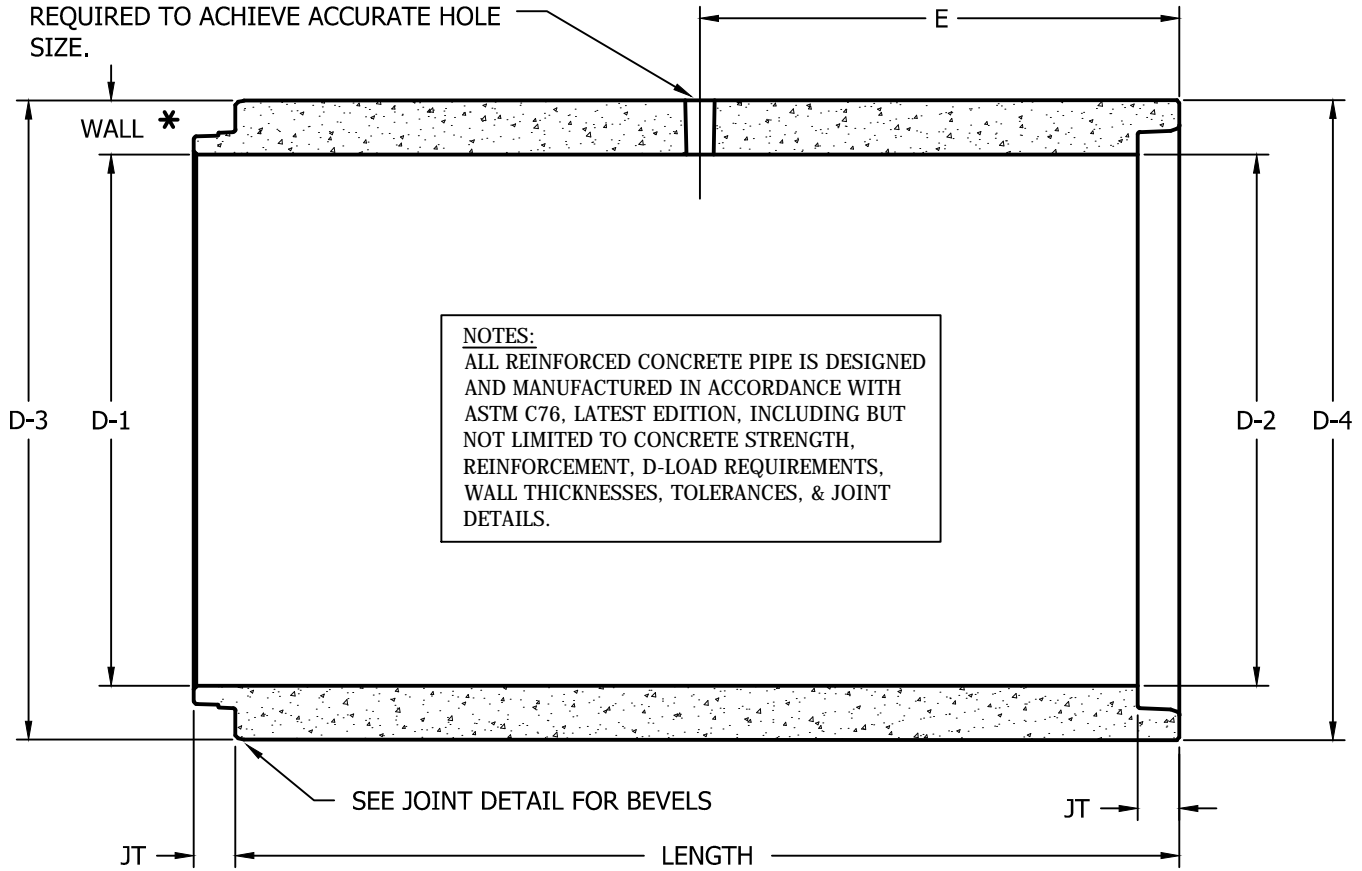
VANHOSECO PRECAST, LLC
 244 BLAIR BEND DRIVE
 LOUDON, TN 37774
 Tel: (865) 458-3998



Drawn By: ART	Chkd. By: ART	Project Number:
SHEET 4 OF 9	DATE: 04/13/16	Drawing Number: RCP-01C

(1) LIFT HOLE THROUGH WALL FORMED WITH PLUG TAPERED FROM 3" TO 2 3/4". FINAL SIZE OF HOLE WILL BE APPROX. 3/8 LESS THAN PLUG SIZE DUE TO DEFORMATION DURING RETRACTION AND STRIPPING OF JACKET. SHAPING PIN REQUIRED TO ACHIEVE ACCURATE HOLE SIZE.

LIFT HOLE IS LOCATED TO CAUSE MALE END TO HANG APPROX. 2" LOWER THAN FEMALE END.



SIZE	WALL *	LENGTH	JT	D-1	D-2	D-3	D-4	E	WT PER LF	WT PER 8' PC.
48	5	8'-0"	4 1/4	48	48	58	58 1/8	49 1/16	918#	7343#
54	5 1/2	8'-0"	4 1/4	54	54	65	65 1/8	48 3/4	1152#	9217#
60	6	8'-0"	4 3/4	59 31/32	60 1/32	72	72 1/8	49	1386#	11,091#
66	6 1/2	8'-0"	5	65 31/32	66 1/32	79	79 1/8	49 1/16	1550#	12,400#
72	7	8'-0"	5	71 31/32	72 1/32	86	86 1/8	49	1928#	15,420#

* WALL AT MALE END. WALL THICKNESS VARIES DUE TO TAPER IN FORM SET.
 FOR CORRESPONDING JOINT DETAILS, SEE DRAWING # 50855A

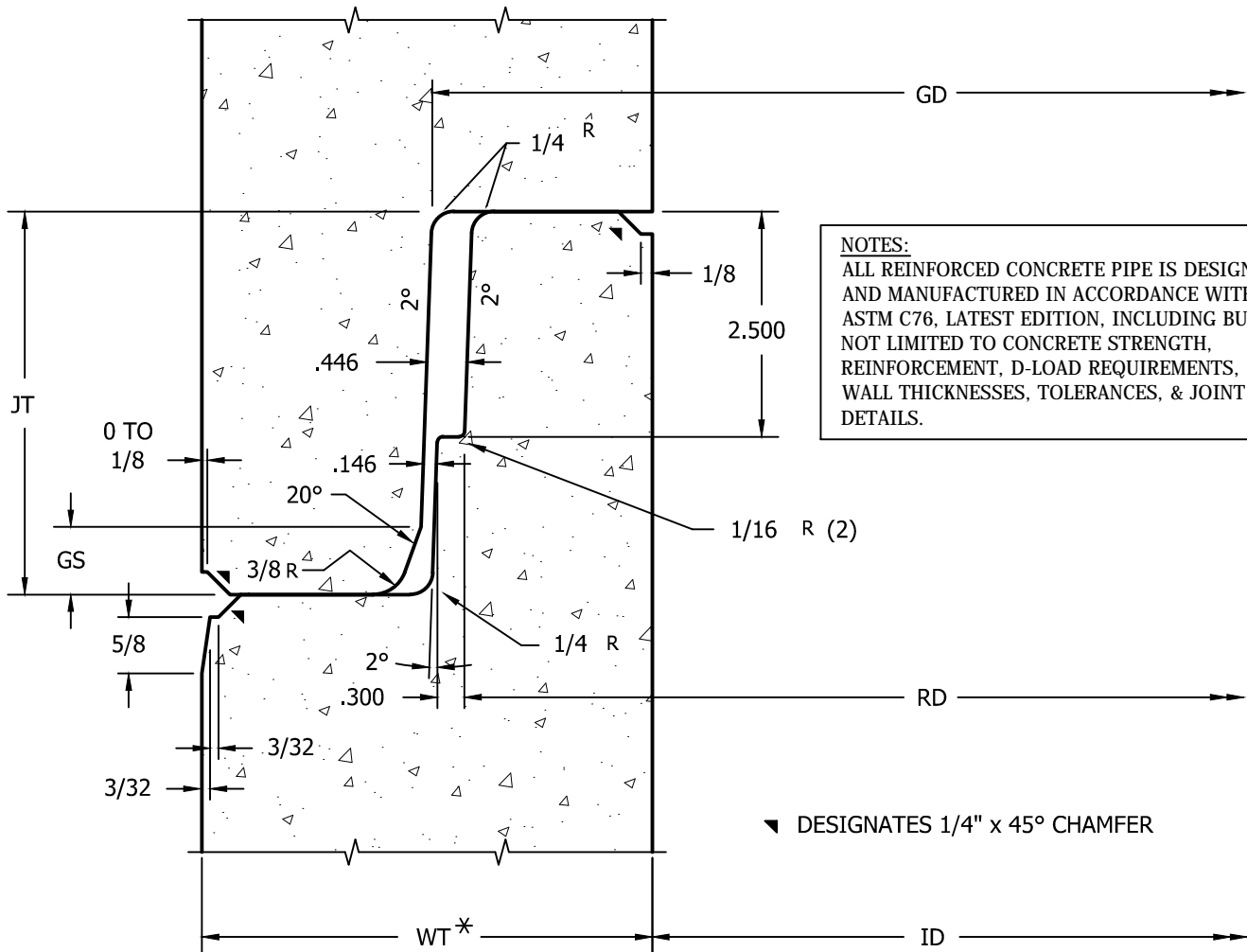
48"-72" DIA. WALL "B" x 8'

48" TO 72" REINFORCED CONCRETE PIPE
 PER ASTM C-76

VANHOSECO PRECAST, LLC
 244 BLAIR BEND DRIVE
 LOUDON, TN 37774
 Tel: (865) 458-3998



Drawn By: ART	Chkd. By: ART	Project Number:
SHEET 5 OF 9	DATE: 04/13/16	Drawing Number: RCP-02



NOTES:
 ALL REINFORCED CONCRETE PIPE IS DESIGNED AND MANUFACTURED IN ACCORDANCE WITH ASTM C76, LATEST EDITION, INCLUDING BUT NOT LIMITED TO CONCRETE STRENGTH, REINFORCEMENT, D-LOAD REQUIREMENTS, WALL THICKNESSES, TOLERANCES, & JOINT DETAILS.

* NOTE: FOR ACTUAL PIPE WALL THICKNESS, SEE PRODUCT SHAPE APPROVAL DRAWING

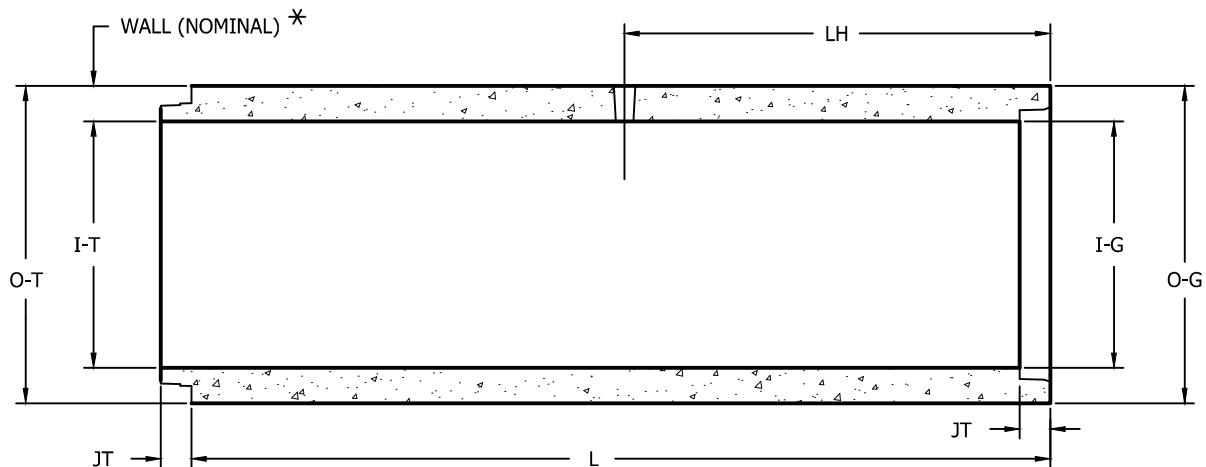
ID	WT	JT	GD	RD	GS
48	5	4 1/4	52.887	52.170	3/4
54	5 1/2	4 1/4	58.596	57.879	7/8
60	6	4 3/4	65.096	64.379	7/8
66	6 1/2	5	71.596	70.879	7/8
72	7	5	77.875	77.158	1 1/4

**JOINT DETAIL FOR 48"-72"
 REINFORCED CONCRETE PIPE**

VANHOSECO PRECAST, LLC
 244 BLAIR BEND DRIVE
 LOUDON, TN 37774
 Tel: (865) 458-3998



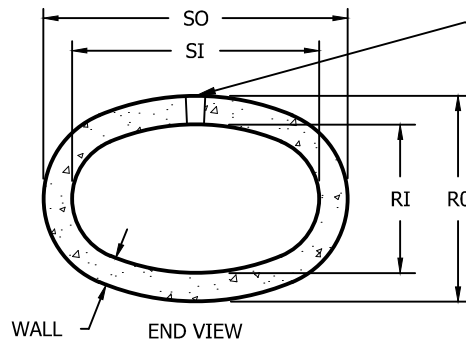
Drawn By: ART	Chkd. By: ART	Project Number:
SHEET 6 OF 9	DATE: 04/13/16	Drawing Number: RCP-02A



* ACTUAL WALL THICKNESS VARIES DUE TO TAPER IN FORM SET
LIFT HOLE LOCATED TO CAUSE TONGUE END TO HANG APPROX. 2" LOWER THAN GROOVE END.

FOR JOINT DETAILS, SEE DRAWING #53352A

FOR OVAL PIPE SHAPE FORMATION, SEE DRAWING #43363A



(1) LIFT HOLE THROUGH WALL FORMED WITH PLUG TAPERED FROM 3" TO 2-3/4" DIA. FINAL SIZE OF HOLE WILL BE APPROX. 3/8" LESS THAN PLUG SIZE DUE TO DEFORMATION DURING RETRACTION AND STRIPPING OF JACKET. SHAPING PIN REQUIRED TO ACHIEVE ACCURATE HOLE SIZE.

SIZE	WALL	L	JT	I-T RI x SI	I-G RI x SI	O-T RO x SO	O-G RO x SO	LH	WT. PER LF	WT. PER PC.
18	3 5/8	8'-0"	3 1/4	14 7/32 x 22 25/32	14 11/32 x 22 29/32	21 9/16 x 30 1/8	21 15/16 x 30 1/2	48 7/8	270#	2160#
24	3 5/8	8'-0"	3 1/4	19 3/32 x 30 1/32	19 7/32 x 30 5/32	26 7/16 x 37 3/8	26 13/16 x 37 3/4	49 1/16	344#	2752#
30	3 3/4	8'-0"	3 1/4	23 31/32 x 37 27/32	24 1/32 x 37 29/32	31 1/2 x 45 3/8	31 3/4 x 45 5/8	48 15/16	437#	3496#

18"-30" ELLIPTICAL x 8', SINGLE OFFSET STYLE

NOTES:

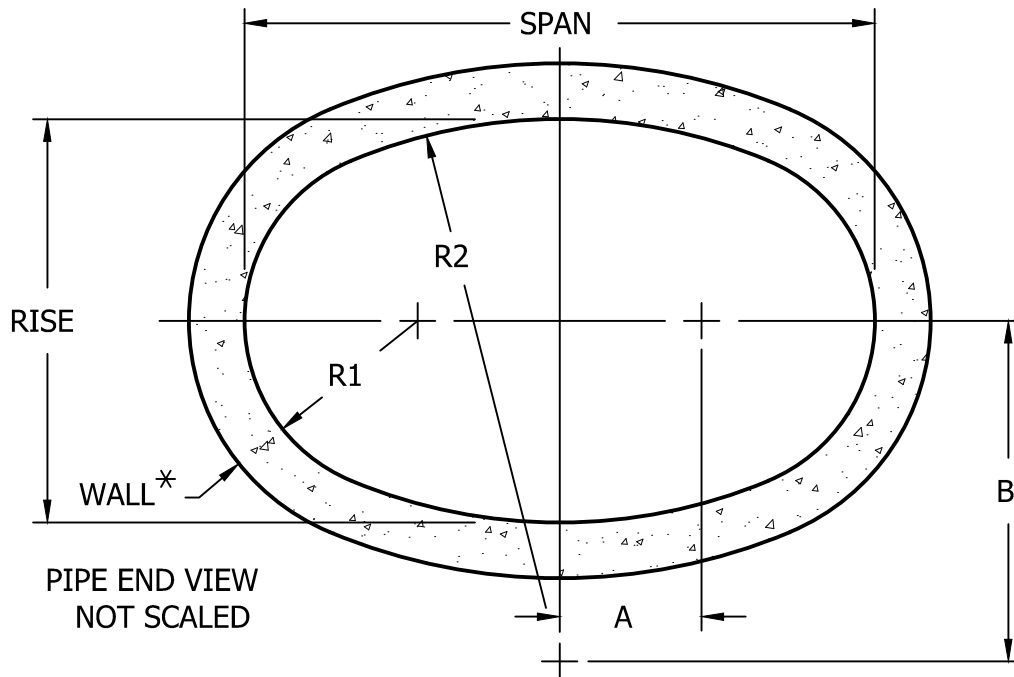
ALL ELLIPTICAL REINFORCED CONCRETE PIPE IS DESIGNED AND MANUFACTURED IN ACCORDANCE WITH ASTM C507, LATEST EDITION, INCLUDING BUT NOT LIMITED TO CONCRETE STRENGTH, REINFORCEMENT, D-LOAD REQUIREMENTS, WALL THICKNESSES, TOLERANCES, & JOINT DETAILS.

18" TO 30" ELLIPTICAL REINFORCED CONCRETE PIPE PER ASTM C-507

VANHOUSECO PRECAST, LLC
244 BLAIR BEND DRIVE
LOUDON, TN 37774
Tel: (865) 458-3998



Drawn By: ART	Chkd. By: ART	Project Number:
SHEET 7 OF 9	DATE: 04/13/16	Drawing Number: RCP-03



SIZE	RISE	SPAN	A	B	R1	R2
18	14 5/16	22 7/8	5.3594	12.7813	6.0781	19.9375
24	19 3/16	30 1/8	6.8438	16.3438	8.2187	25.9375
30	24	37 7/8	8.6719	20.8125	10.2656	32.8125

*SEE JOINT DETAIL FOR WALL THICKNESS

NOTES:

ALL ELLIPTICAL REINFORCED CONCRETE PIPE IS DESIGNED AND MANUFACTURED IN ACCORDANCE WITH ASTM C507, LATEST EDITION, INCLUDING BUT NOT LIMITED TO CONCRETE STRENGTH, REINFORCEMENT, D-LOAD REQUIREMENTS, WALL THICKNESSES, TOLERANCES, & JOINT DETAILS.

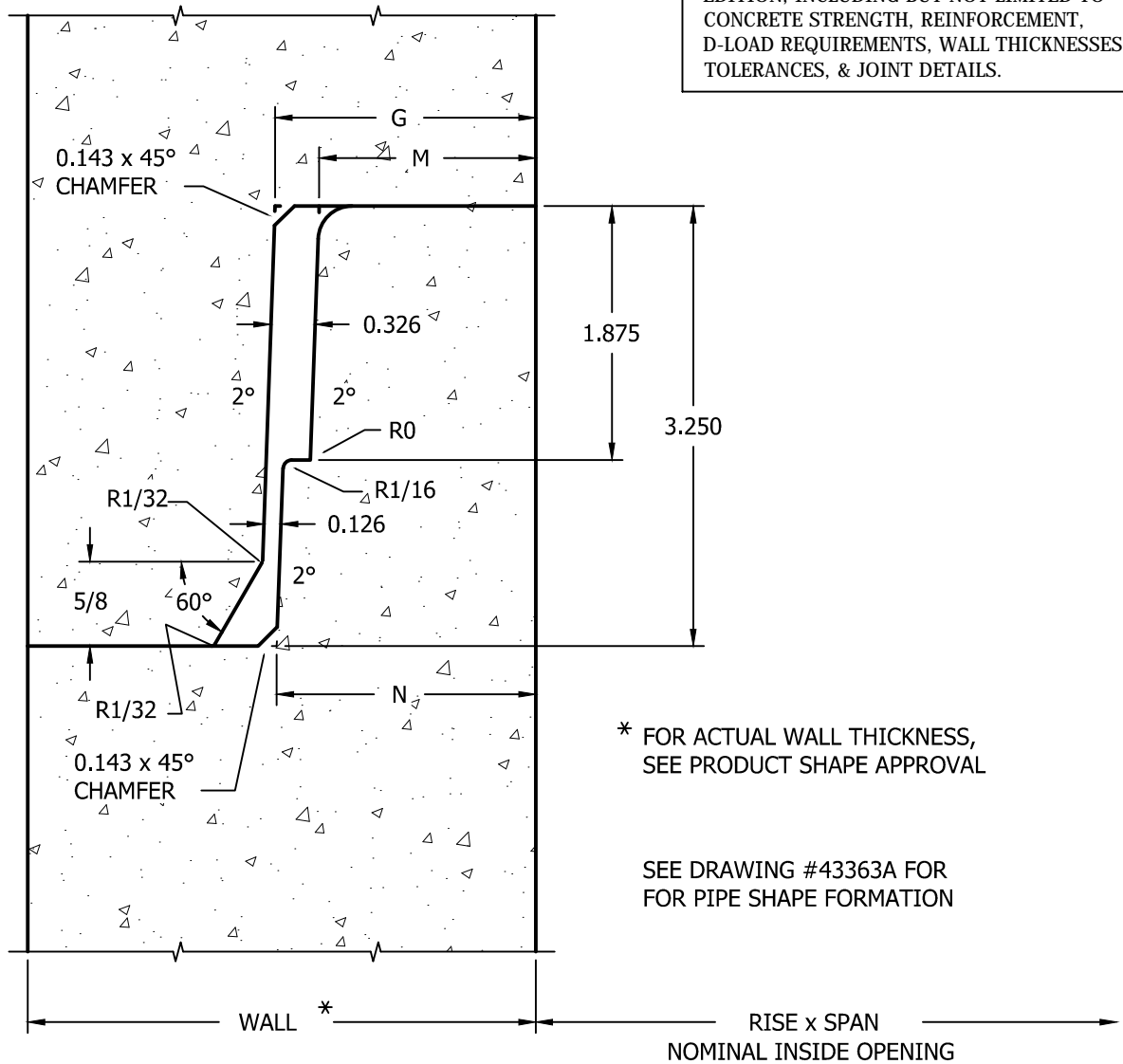
**18" TO 30" ELLIPTICAL REINFORCED
CONCRETE PIPE PER ASTM C-507
SECTIONAL DIMENSIONS**

VANHOUSECO PRECAST, LLC
244 BLAIR BEND DRIVE
LOUDON, TN 37774
Tel: (865) 458-3998



Drawn By: ART	Chkd. By: ART	Project Number:
SHEET 8 OF 9	DATE: 04/13/16	Drawing Number: RCP-03A

NOTES:
 ALL ELLIPTICAL REINFORCED CONCRETE PIPE IS DESIGNED AND MANUFACTURED IN ACCORDANCE WITH ASTM C507, LATEST EDITION, INCLUDING BUT NOT LIMITED TO CONCRETE STRENGTH, REINFORCEMENT, D-LOAD REQUIREMENTS, WALL THICKNESSES, TOLERANCES, & JOINT DETAILS.



SIZE	RISE	SPAN	WALL	G	M	N
18	14 5/16	22 7/8	3 5/8	1.826	1.500	1.814
24	19 3/16	30 1/8	3 5/8	1.726	1.400	1.714
30	24	37 7/8	3 3/4	1.924	1.598	1.912

**JOINT DETAIL FOR 18"-30"
 ELLIPTICAL REINFORCED
 CONCRETE PIPE**

VANHOUSECO PRECAST, LLC
 244 BLAIR BEND DRIVE
 LOUDON, TN 37774
 Tel: (865) 458-3998



Drawn By: ART	Chkd. By: ART	Project Number:
SHEET 9 OF 9	DATE: 04/13/16	Drawing Number: RCP-03B