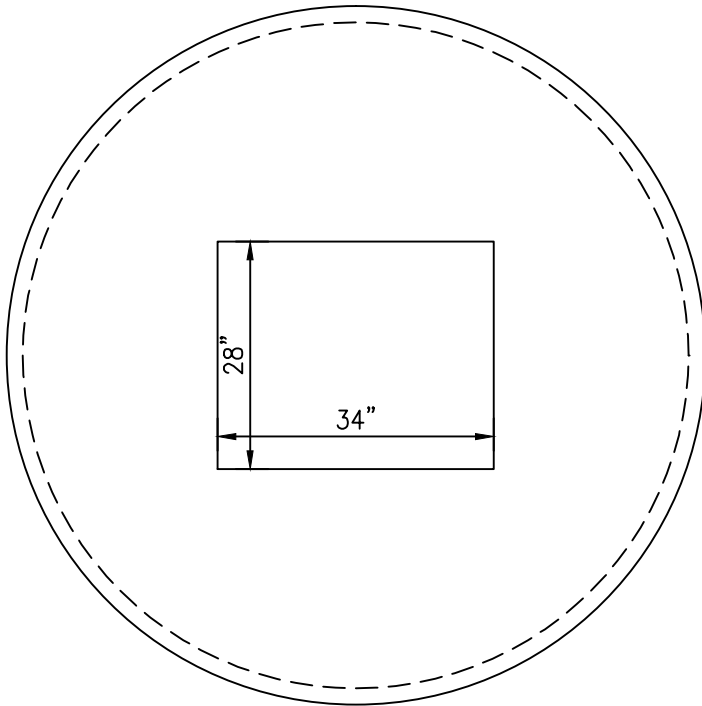


CONC. WEIGHT & VOL.		
DEPTH (IN.)	WEIGHT (LBS)	VOLUME (CY)
8	3947	0.97
9	4369	1.08
12	5635	1.39



\*\*\* CUSTOM PRODUCT SIZES ARE AVAILABLE UPON REQUEST.  
PLEASE CALL (865) 458-3998 FOR A TECHNICAL SERVICE REPRESENTATIVE.

GENERAL NOTES:

1. ALL MATERIAL, DESIGN, MANUFACTURE, PHYSICAL TEST REQUIREMENTS, FINISH MARKING, INSPECTION, REJECTION AND REPAIRS TO MEET "SPECIFICATIONS FOR PRECAST - REINFORCED CONCRETE MANHOLE SECTIONS". PER ASTM C-478 (LATEST VERSION)

2. CONCRETE STRENGTH:  $f'c$  @ 28 Days = 5,000 psi

**VANHOSECO PRECAST, LLC**

244 BLAIR BEND DRIVE  
LOUDON, TN 37774  
Tel: (865) 458-3998



72"Ø FLAT TOP WITH  
28"x34" OPENING

SCALE: 1/2" = 1'-0"

FT21