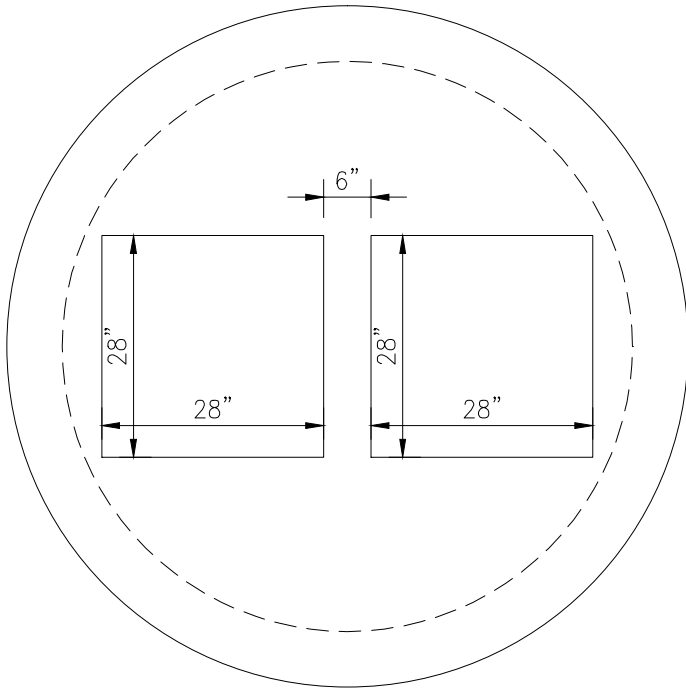
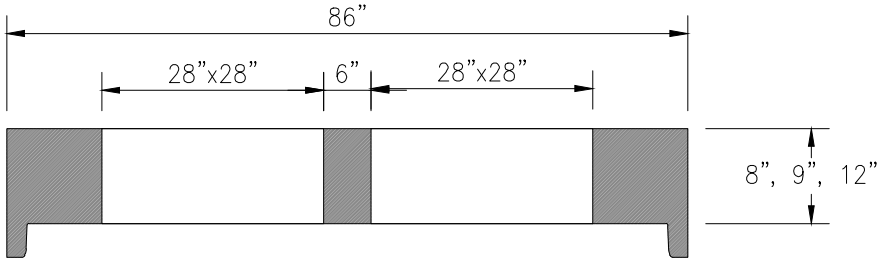


CONC. WEIGHT & VOL.	
WEIGHT (LBS)	VOLUME (CY)
3,716	0.92



*** CUSTOM PRODUCT SIZES ARE AVAILABLE UPON REQUEST.
PLEASE CALL (865) 458-3998 FOR A TECHNICAL SERVICE REPRESENTATIVE.

GENERAL NOTES:

1. ALL MATERIAL, DESIGN, MANUFACTURE, PHYSICAL TEST REQUIREMENTS, FINISH MARKING, INSPECTION, REJECTION AND REPAIRS TO MEET "SPECIFICATIONS FOR PRECAST - REINFORCED CONCRETE MANHOLE SECTIONS". PER ASTM C-478 (LATEST VERSION)

2. CONCRETE STRENGTH: $f'c$ @ 28 Days = 5,000 psi

VANHOSECO PRECAST, LLC
244 BLAIR BEND DRIVE
LOUDON, TN 37774
Tel: (865) 458-3998



**72"Ø FLAT TOP WITH
(2) 28"x28" OPENINGS**

SCALE: 1/2" = 1'-0"

FT19A

VANHOSECO