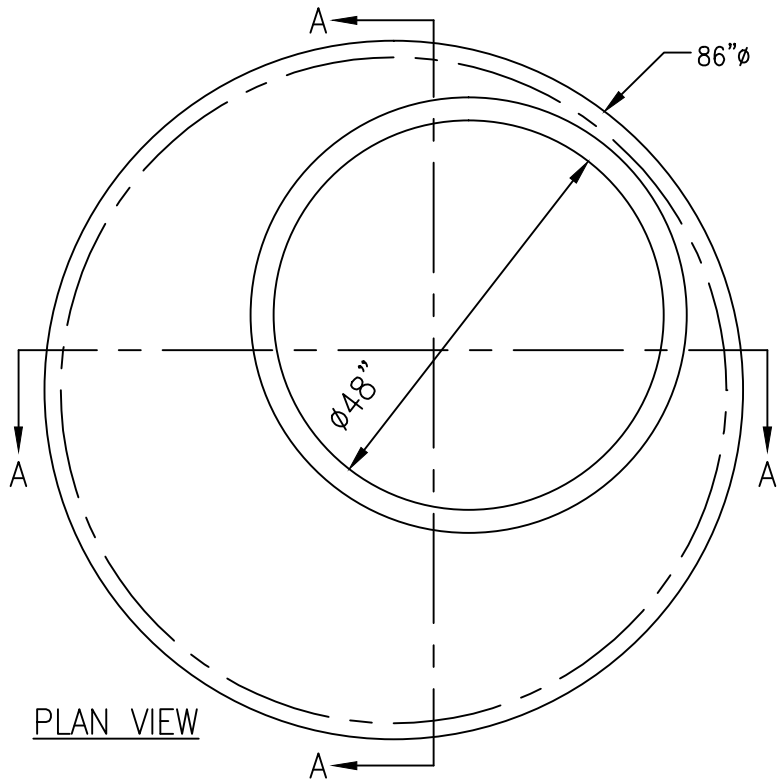


SECTION A-A



PLAN VIEW

CONC. WEIGHT & VOL.	
WEIGHT (LBS)	VOLUME (CY)
5,904	1.46

*** CUSTOM PRODUCT SIZES ARE AVAILABLE UPON REQUEST. PLEASE CALL (865) 458-3998 FOR A TECHNICAL SERVICE REPRESENTATIVE.

GENERAL NOTES:

1. ALL MATERIAL, DESIGN, MANUFACTURE, PHYSICAL TEST REQUIREMENTS, FINISH MARKING, INSPECTION, REJECTION AND REPAIRS TO MEET "SPECIFICATIONS FOR PRECAST - REINFORCED CONCRETE MANHOLE SECTIONS". PER ASTM C-478 (LATEST VERSION)
2. CONCRETE STRENGTH: $f'c$ @ 28 Days = 5,000 psi



NPCA
CERTIFIED PLANT

VANHOSECO PRECAST, LLC
244 BLAIR BEND DRIVE
LOUDON, TN 37774
Tel: (865) 458-3998



**72"Ø TRANSITION SLAB
CATALOG DRAWING**

SCALE: 1/2" = 1'-0"

TS2