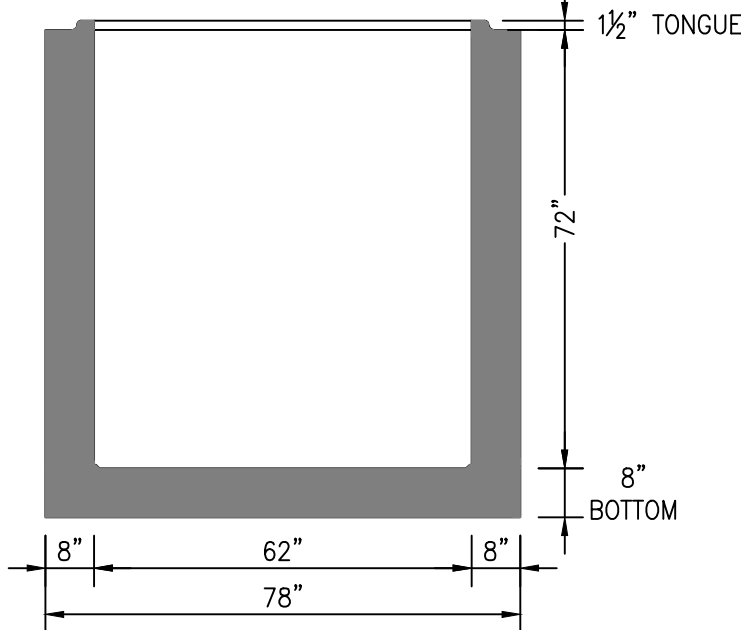
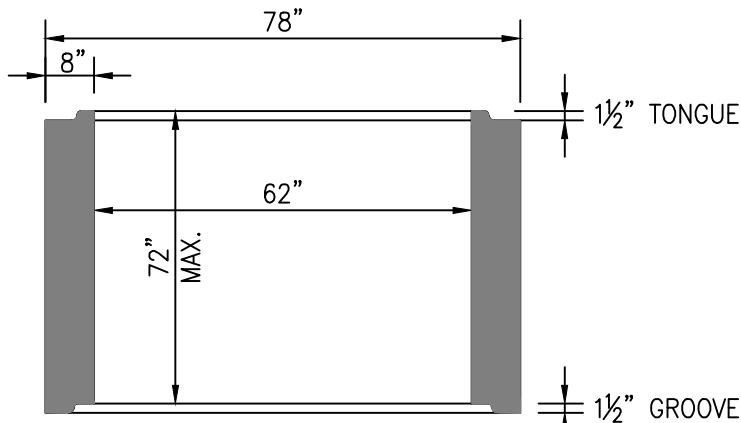


PLAN VIEW



FRONT VIEW

TOP LID

HEIGHT (IN.)	WEIGHT (LB.)
8	4225

RISER WEIGHT

HEIGHT (IN.)	WEIGHT (LB.)
10	1944
24	4667
30	5833
36	7000
42	8167
48	9333

BASE WEIGHT

HEIGHT (IN.)	WEIGHT (LB.)
24	8892
30	10,058
36	11,225
42	12,392
48	13,558
64	18,225

*** CUSTOM PRODUCT SIZES ARE AVAILABLE UPON REQUEST. PLEASE CALL (865) 458-3998 FOR A TECHNICAL SERVICE REPRESENTATIVE.



NPCA

CERTIFIED PLANT

GENERAL NOTES:

1. ALL MATERIAL, DESIGN, MANUFACTURE, PHYSICAL TEST REQUIREMENTS, FINISH MARKING, INSPECTION, REJECTION AND REPAIRS TO MEET ASTM C913, C857, AND C890 (CURRENT EDITIONS)
2. CONCRETE STRENGTH: f'_c @ 28 Days = 5,000 psi
3. EXPOSED EDGES HAVE A $\frac{3}{4}$ " CHAMFER
4. REINFORCING STEEL MEETS ASTM A-615, GRADE 60 WITH $1\frac{1}{2}$ " MINIMUM CONCRETE COVER.

VANHOSECO PRECAST, LLC

244 BLAIR BEND DRIVE
LOUDON, TN 37774
Tel: (865) 458-3998



62"x62" CATCH BASIN

SCALE: 3/8" = 1'-0"

CB1