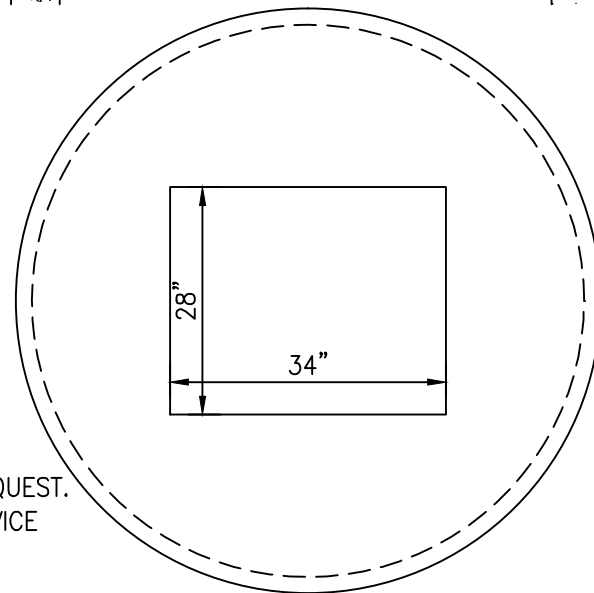
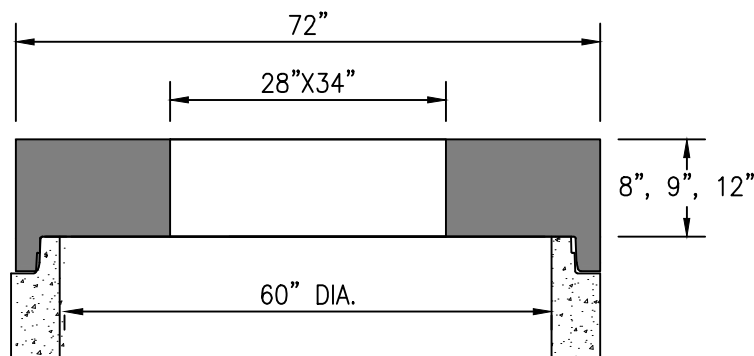
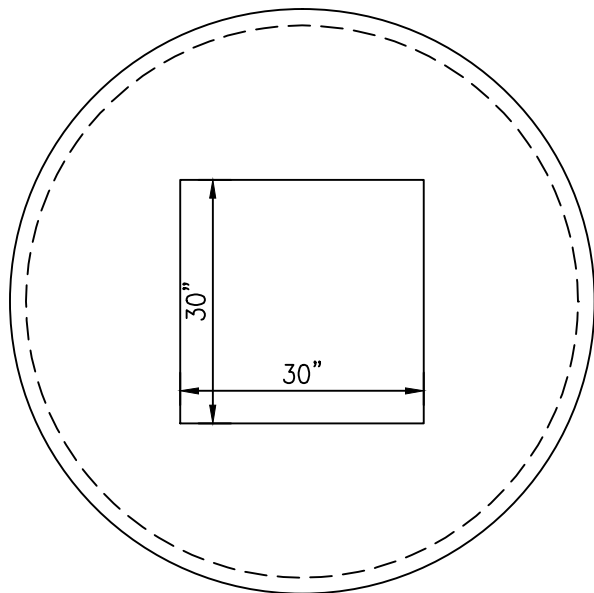


CONC. WEIGHT & VOL. (30"X30")		
DEPTH (IN.)	WEIGHT (LBS)	VOLUME (CY)
8	2395	0.59
9	2670	0.66
12	3495	0.86



CONC. WEIGHT & VOL. (28"X34")		
DEPTH (IN.)	WEIGHT (LBS)	VOLUME (CY)
8	2359	0.58
9	2630	0.65
12	3443	0.85

*** CUSTOM PRODUCT SIZES ARE AVAILABLE UPON REQUEST.
PLEASE CALL (865) 458-3998 FOR A TECHNICAL SERVICE REPRESENTATIVE.

GENERAL NOTES:

1. ALL MATERIAL, DESIGN, MANUFACTURE, PHYSICAL TEST REQUIREMENTS, FINISH MARKING, INSPECTION, REJECTION AND REPAIRS TO MEET "SPECIFICATIONS FOR PRECAST - REINFORCED CONCRETE MANHOLE SECTIONS". PER ASTM C-478 (LATEST VERSION)

2. CONCRETE STRENGTH: f'_c @ 28 Days = 5,000 psi

VANHOSECO PRECAST, LLC

244 BLAIR BEND DRIVE
LOUDON, TN 37774
Tel: (865) 458-3998



**60"Ø FLAT TOP WITH
30"x30" & 28"X34"
OPENINGS**

SCALE: 1/2" = 1'-0"

FT25