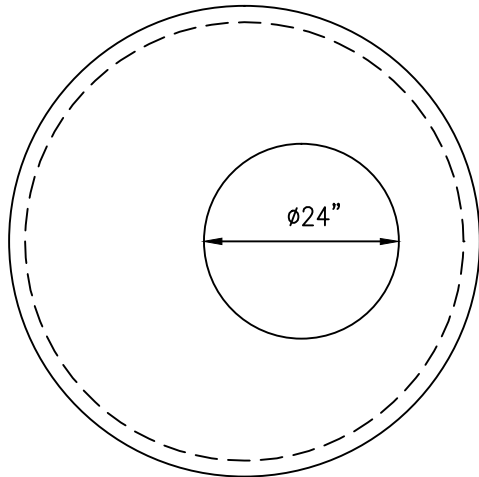


CONC. WEIGHT & VOL.		
DEPTH (IN.)	WEIGHT (LBS)	VOLUME (CY)
8	1,679	0.41
9	1909	0.47
12	2369	0.58

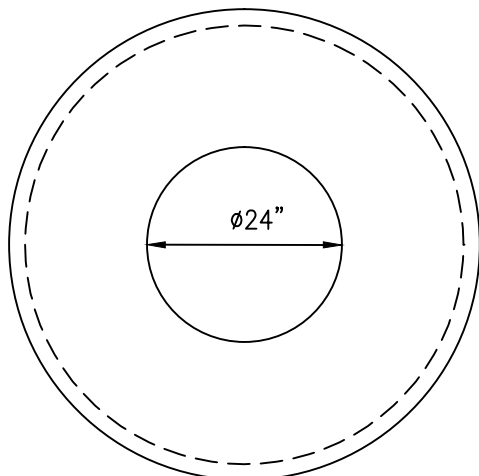
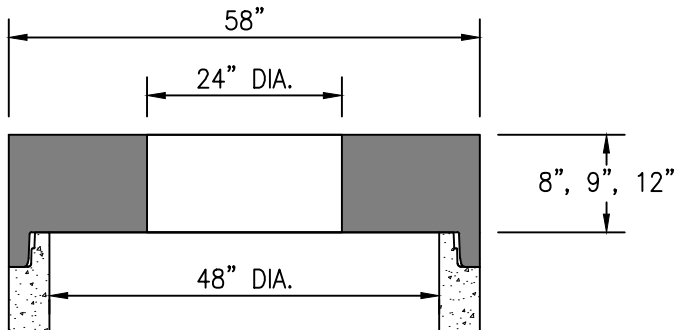


*** CUSTOM PRODUCT SIZES ARE AVAILABLE UPON REQUEST.
PLEASE CALL (865) 458-3998 FOR A TECHNICAL SERVICE REPRESENTATIVE.

GENERAL NOTES:

1. ALL MATERIAL, DESIGN, MANUFACTURE, PHYSICAL TEST REQUIREMENTS, FINISH MARKING, INSPECTION, REJECTION AND REPAIRS TO MEET "SPECIFICATIONS FOR PRECAST - REINFORCED CONCRETE MANHOLE SECTIONS". PER ASTM C-478 (LATEST VERSION)

2. CONCRETE STRENGTH: f'_c @ 28 Days = 5,000 psi



VANHOSECO PRECAST, LLC

244 BLAIR BEND DRIVE
LOUDON, TN 37774
Tel: (865) 458-3998



48"Ø FLAT TOP WITH
24"Ø OPENING

SCALE: 1/2" = 1'-0"

FT27