

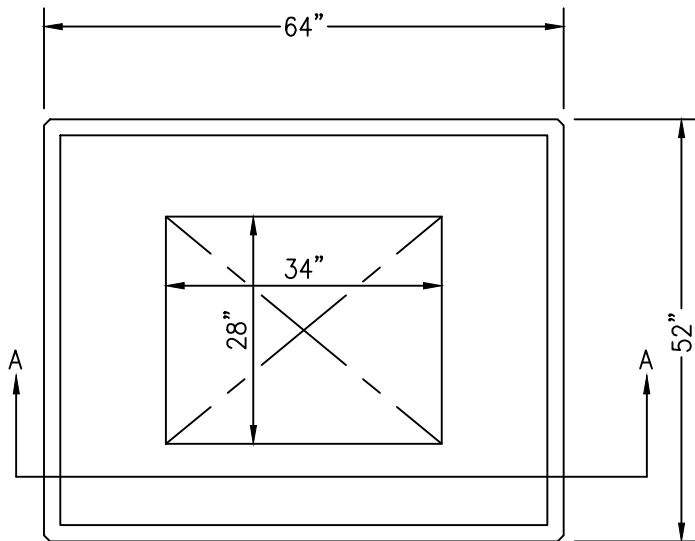
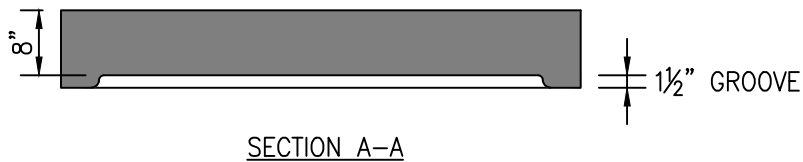
*** CUSTOM PRODUCT SIZES ARE AVAILABLE UPON REQUEST.
PLEASE CALL (865) 458-3998 FOR A TECHNICAL SERVICE REPRESENTATIVE.

CONC. WEIGHT & VOL.	
WEIGHT (LBS)	VOLUME (CY)
1781	0.44

GENERAL NOTES:

1. ALL MATERIAL, DESIGN, MANUFACTURE, PHYSICAL TEST REQUIREMENTS, FINISH MARKING, INSPECTION, REJECTION AND REPAIRS TO MEET "SPECIFICATIONS FOR PRECAST - REINFORCED CONCRETE MANHOLE SECTIONS". PER ASTM C-478 (LATEST VERSION)

2. CONCRETE STRENGTH: $f'c @ 28 \text{ Days} = 5,000 \text{ psi}$



PLAN VIEW



NPCC

CERTIFIED PLANT

VANHOSECO PRECAST, LLC

244 BLAIR BEND DRIVE
LOUDON, TN 37774
Tel: (865) 458-3998



VANHOSECO

36"x48" CATCH BASIN COVER

SCALE: 1/2" = 1'-0"

CB4-
T1