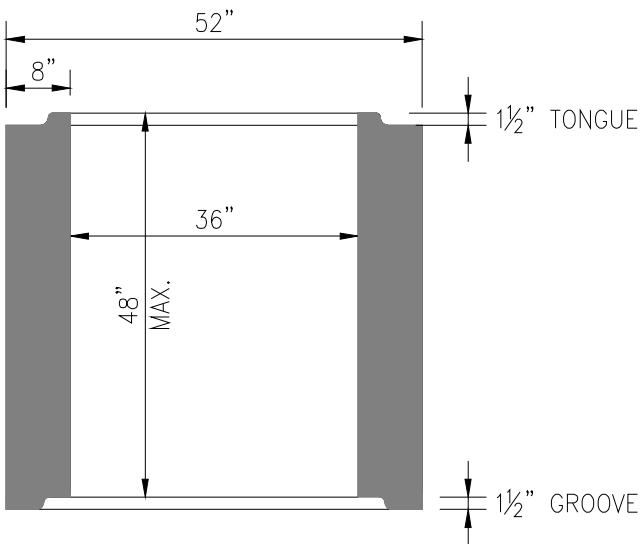


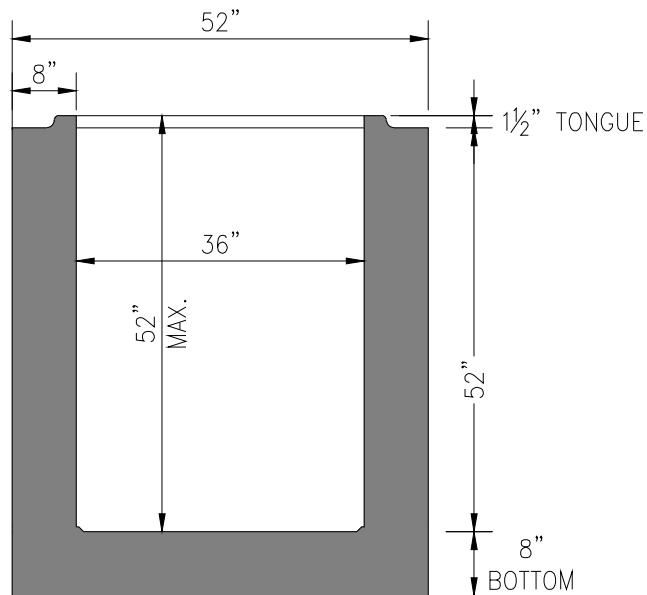
Structure design meets HS-20 and/or HL-93 traffic rating.



*** Custom product sizes are available upon request. Please call (865)458-3998 for a technical service representative.

GENERAL NOTES:

1. REINFORCING PER ASTM C913-08
2. CONCRETE STRENGTH: f'_c @ 28 Days = 5,000 psi
3. ALL REBAR ARE #4 BARS UNLESS NOTED OTHERWISE.
4. REINFORCING STEEL MEETS ASTM A-615, GRADE 60 WITH 1" MINIMUM CONCRETE COVER.
5. #3 BARS SPACED @ 9" OC CAN BE SUBSTITUTED FOR #4 BARS SPACED @ 12" OC.



VANHOSECO PRECAST, LLC

244 BLAIR BEND DRIVE
LOUDON, TN 37774
Tel: (865) 458-3998



36"x36" CATCH BASIN

SCALE: 1/2" = 1'-0"

CB5-1