

TOP LID

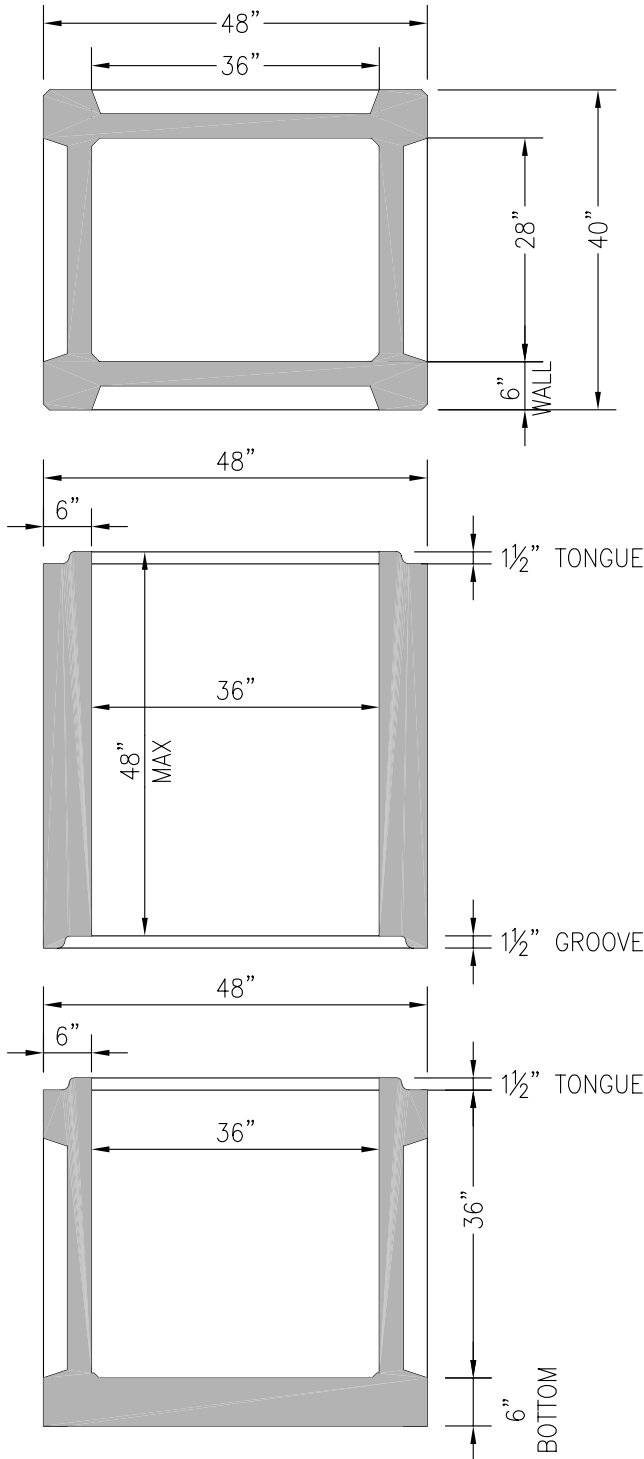
HEIGHT (IN.)	WEIGHT (LB.)
6	1000

RISER WEIGHT

HEIGHT (IN.)	WEIGHT (LB.)
10	792
24	1900
30	2375
36	2850
42	3325
48	3800

BASE WEIGHT

HEIGHT (IN.)	WEIGHT (LB.)
36	3030



*** CUSTOM PRODUCT SIZES ARE AVAILABLE UPON REQUEST. PLEASE CALL (865) 458-3998 FOR A TECHNICAL SERVICE REPRESENTATIVE.

GENERAL NOTES:

1. ALL MATERIAL, DESIGN, MANUFACTURE, PHYSICAL TEST REQUIREMENTS, FINISH MARKING, INSPECTION, REJECTION AND REPAIRS TO MEET ASTM'S C913, C857, ADN C890 (CURRENT EDITIONS)
2. CONCRETE STRENGTH: f'_c @ 28 Days = 5,000 psi
3. EXPOSED EDGES HAVE A $\frac{3}{4}$ " CHAMFER
4. REINFORCING STEEL MEETS ASTM A-615, GRADE 60 WITH 1" MINIMUM CONCRETE COVER.

VANHOSECO PRECAST, LLC

244 BLAIR BEND DRIVE
 LOUDON, TN 37774
 Tel: (865) 458-3998



28"x36" WITH KNOCKOUTS
 CATCH BASIN

SCALE: 1/2" = 1'-0"

CB9

VANHOSECO