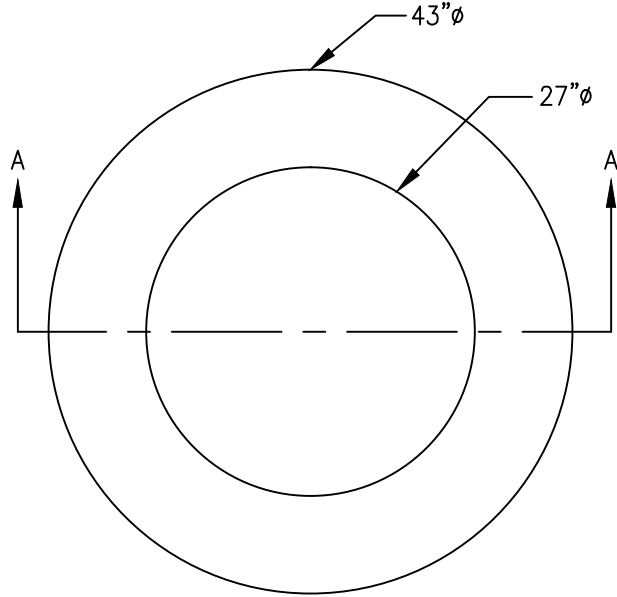
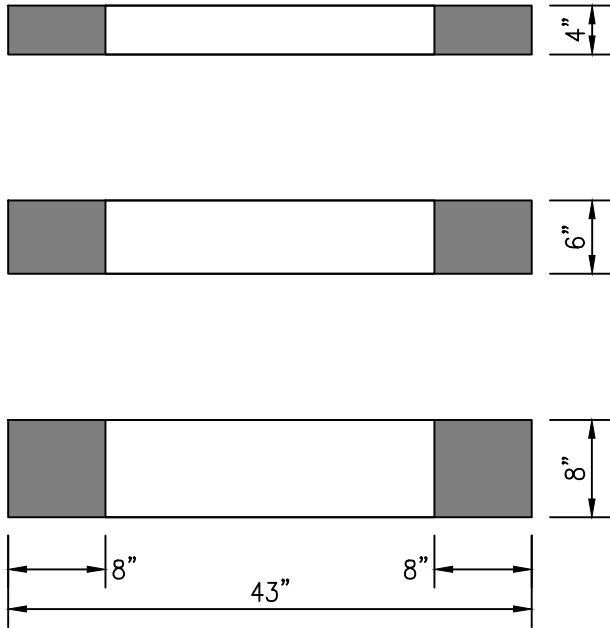


27"Ø GRADE RING		
HEIGHT	WEIGHT (LBS)	VOL. (CY)
4"	317	0.08
6"	476	0.12
8"	635	0.16



SECTION A-A

\*\*\* CUSTOM PRODUCT SIZES ARE AVAILABLE UPON REQUEST.  
PLEASE CALL (865) 458-3998 FOR A TECHNICAL SERVICE REPRESENTATIVE.

GENERAL NOTES:

1. ALL MATERIAL, DESIGN, MANUFACTURE, PHYSICAL TEST REQUIREMENTS, FINISH MARKING, INSPECTION, REJECTION AND REPAIRS TO MEET "SPECIFICATIONS FOR PRECAST - REINFORCED CONCRETE MANHOLE SECTIONS". PER ASTM C-478 (LATEST VERSION)
2. CONCRETE STRENGTH:  $f'c$  @ 28 Days = 5,000 psi
3. VERTICAL MANHOLE STEPS SHALL BE CONSISTENTLY SPACED AND SHALL COMPLY WITH OSHA (SUBPART D) "FIXED LADDERS" (SECTION 1920-27\_ AND /OR ASTM C-478



**NPCC**

CERTIFIED PLANT

**VANHOSECO PRECAST, LLC**

244 BLAIR BEND DRIVE  
LOUDON, TN 37774  
Tel: (865) 458-3998



27"Ø GRADE RING

SCALE: 3/4" = 1'-0"

GR2