

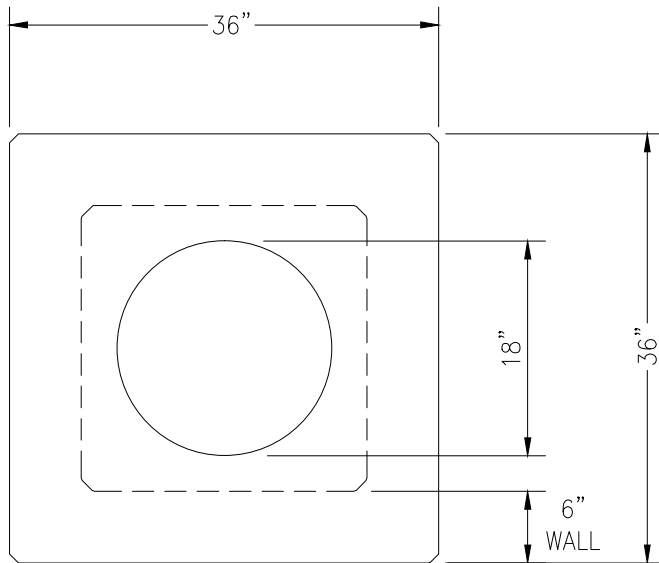
24"x24"x36" COVER			
OPENING	HEIGHT	WEIGHT (LBS)	VOL. (CY)
18"Ø	6"	558	0.13
24"Ø	6"	439	0.11
NONE	6"	675	0.17

GENERAL NOTES:

1. REINFORCING PER ASTM C913-08
2. CONCRETE STRENGTH: f'_c @ 28 Days = 5,000 psi
3. ALL REBAR ARE #3 BARS UNLESS NOTED OTHERWISE.
4. REINFORCING STEEL MEETS ASTM A-615, GRADE 60 WITH 1" MINIMUM CONCRETE COVER.



SECTION B-B



PLAN VIEW

VANHOSECO PRECAST, LLC

244 BLAIR BEND DRIVE
 LOUDON, TN 37774
 Tel: (865) 458-3998



24"x24" CATCH BASIN COVER

SCALE: 3/4" = 1'-0"

CB8-SD3