



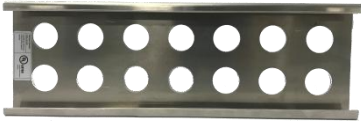


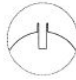


SUBMITTED PART NUMBER

QUANTITY

ORDER FORM / SUBMITTAL SHEET

JOB NAME

FASS Rack conduit support systems are available in a "Build-A-FASS Rack" option for all 4" or smaller conduit types, PVC, EMT, IMC, or RIGID. *Build-A-Rack FASS Rack options function independently in individual sections or in any sectional combinations below up to 54" in total length.*

OPTION A	OPTION B	OPTION C
<p style="text-align: right;">Not to scale</p>  <p>18" Length, 6" Height Provides 14, 1" or smaller conduit ports</p>	<p style="text-align: right;">Not to scale</p>  <p>18" Length, 6" Height Provides 4, 2" or smaller conduit ports</p>	<p style="text-align: right;">Not to scale</p>  <p>18" Length, 6" Height Provides 2, 4" or smaller conduit ports</p>
<p>* Optional Anti-Vibration Tab available for conduit ports  →</p> <p>* Multi-sections may be divided by cutting along cut indicators every 18"</p> <p>* Suitable for max. 3.05m (10 ft.) support interval.</p> <p>* Intended conduit mounting orientation is horizontal.</p> <p>* Assemblies are to be installed in accordance with the NEC®</p>		<p>PATENT PENDING</p>   <p>Conduit and Cable Hardware E473231</p>

Build Your Part Number Here (See example below)

WPS	FASS				
Numbering System (Example Only)					
WPS	FASS	1"-14/	2"-4/	4"-2/	AV
Std. Prefix	Type	Section 1	Section 2	Section 3	Anti-Vibration
Ordering Prefix- Pre-Fab Solutions	Fast Accurate Support System	Option A 1"-14 Option B 2"-4 Option C 4"-2	Option A 1"-14 Option B 2"-4 Option C 4"-2	Option A 1"-14 Option B 2"-4 Option C 4"-2	AV Option