

# IQS-J1939 Inclination

3000 Northwoods Parkway  
Suite 240  
Peachtree Corners, GA 30071  
770-242-1002

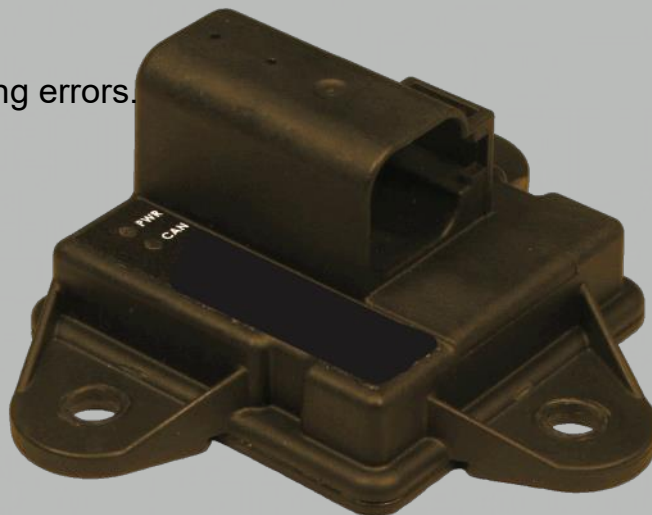
For more info:  
Sales@stw-technic.com  
www.stw-technic.com

## IQS-J1939 Inclination sensor

**3 axis angle measurement using MEM's accelerometer and gyroscope technology provides rock solid stability and accuracy**

### Product Features

- Reliable angle measurement even on high vibration and shock equipment.
- MEMs sensor redundancy for exceptional accuracy
- Configurable calculation options allow optimization.
- Configurable zero point offset.
- Automatically detects bus speed from 125 kbd to 1Mbd.
- Automatically detects the mounting configuration.
- Shock resistance up to 50 g.
- Operating temperature range of -40° C to 85° C.
- Supply voltage range of 8V to 32V.
- 0.002° resolution.
- Reverse battery protection
- 3 – point mounting to prevent assembly mounting errors.
- IP67 rating
- 48V jump start and load dump compliant



### PN 100001120\_0680

Pitch & Roll Angle measurement  
(± 65°) – to SAE J1939 standard

### PN 100001092\_0670

Blade angle measurement (± 180°)

### PN 100001091\_0550

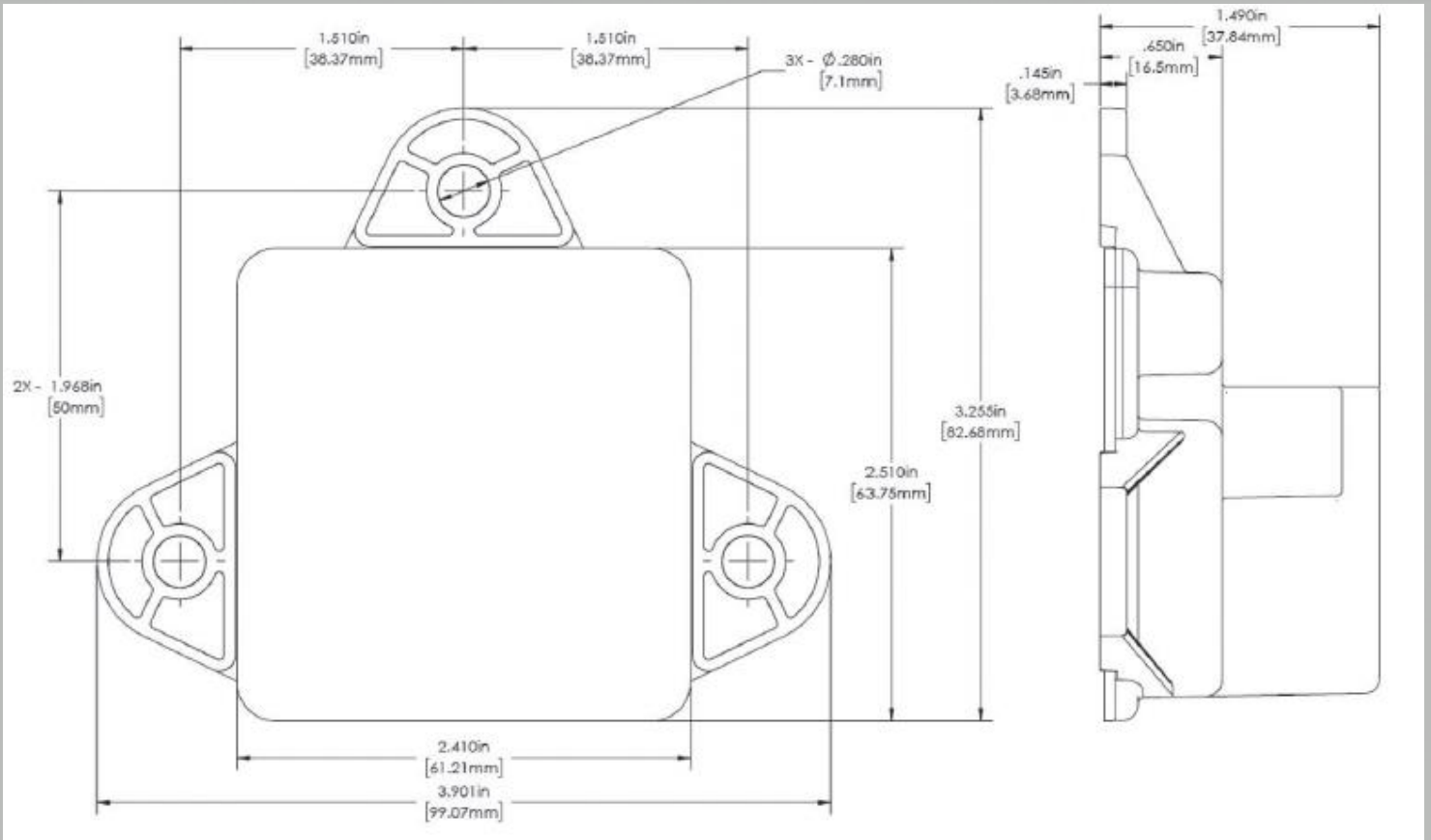
Configurable for Pitch & Roll OR Blade angle  
measurement, raw accelerometer, gyroscope  
and temperature data, other added features.

*\*Higher angle measurement up to*

# IQS-J1939 Inclination

3000 Northwoods Parkway  
Suite 240  
Peachtree Corners, GA 30071  
770-242-1002

For more info:  
[Sales@stw-technic.com](mailto:Sales@stw-technic.com)  
[www.stw-technic.com](http://www.stw-technic.com)



General Parameters	99-0670	99-0680
Measurement Angle	$\pm 180^\circ$	$\pm 65^\circ$
Resolution	0.002°	0.007°
Accuracy (typical)	$\pm 0.3^\circ$	$\pm 0.3^\circ$
Communication Interface	SAE J1939	SAE J1939

Electrical Parameters	Min	Typ	Max	Units
Supply Voltage	8	14	45	VDC
Reverse Battery Voltage	-	-	-45	VDC
Current Consumption	8.5	-	16.5	mA
Electrostatic Discharge (ESD)	-15	-	15	KV

Mechanical Parameters	
Storage Temperature	-40° C to 85° C
Operating Temperature	-40° C to 85° C
Mechanical Shock - Operational	50g
Ingress Protection	IP67
Connection	Deutsch DT06-6P

